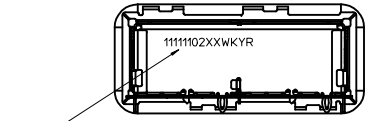
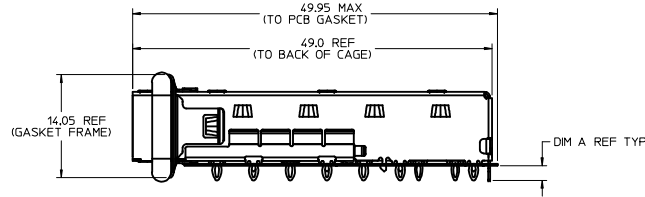
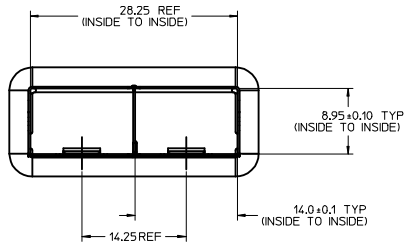
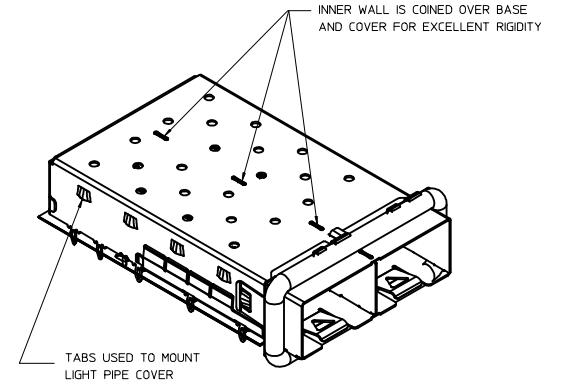
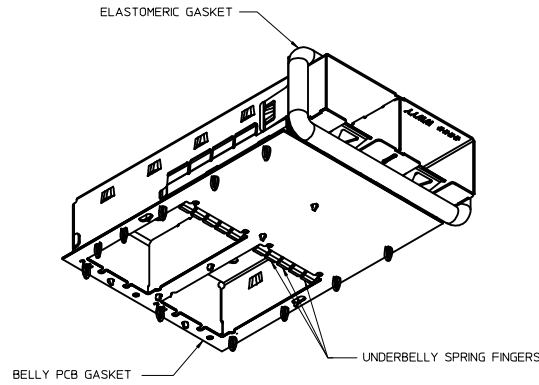
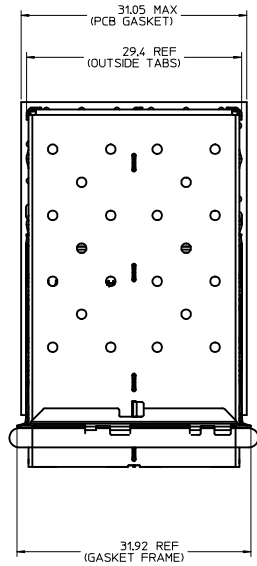


WM 3-D MODEL: TM-111111-0212



PART NO. AND WEEK/YEAR DATE CODE TO BE PRINTED ON BACK OF CAGE APPROXIMATELY AS SHOWN. SEE TABLE BELOW FOR DATE CODE INFORMATION.

DATE	WEEK/YEAR DATE CODE
WK 01 THRU 52	EXAMPLE: 01 - FIRST WEEK OF YEAR 52 - LAST WEEK OF YEAR
YR 11, 12, 13, ETC.	EXAMPLE: YEAR 2013-13

NOTES (UNLESS OTHERWISE SPECIFIED):

- MATERIAL:  
CAGE: 0.25mm THICK COPPER ALLOY, NICKEL PLATED  
ELASTOMERIC GASKET: CONDUCTIVE ELASTOMER  
BELLY PCB GASKET: COATED POLYIMIDE
- PORTS ARE DESIGNED FOR zSFP+, SFP+, AND SFP TRANSCEIVERS
- OPTIONAL LIGHTPIPE ASSEMBLY AVAILABLE
- LEAD FREE. NO ROHS EXEMPTIONS

MOLEX P/N	DIM A	MIN. PCB THICKNESS FOR SINGLE SIDED	MIN. PCB THICKNESS FOR BELLY TO BELLY	ELASTOMERIC GASKET FLAMMABILITY RATING
1111110210	2.79	1.57	3.00	UL94 HB
1111110212	2.02		2.28	UL94 V-0
1111110216	2.79		3.00	UL94 V-0

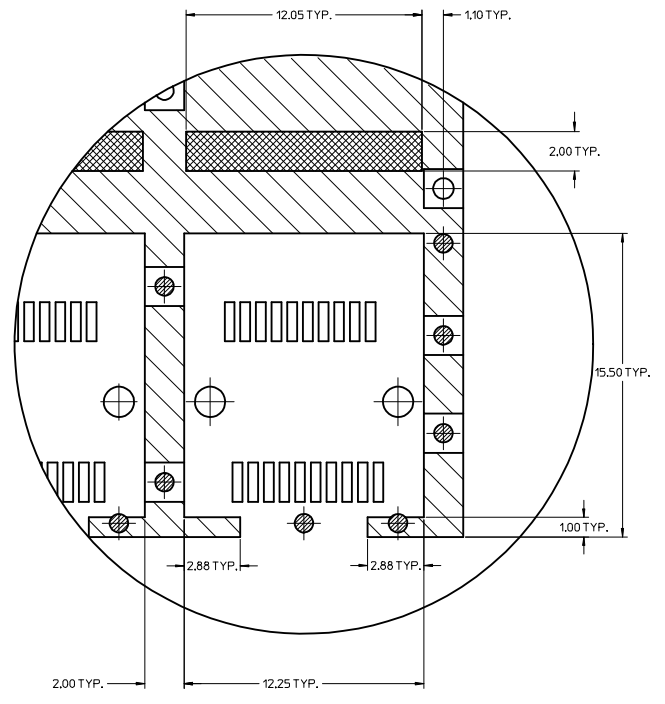
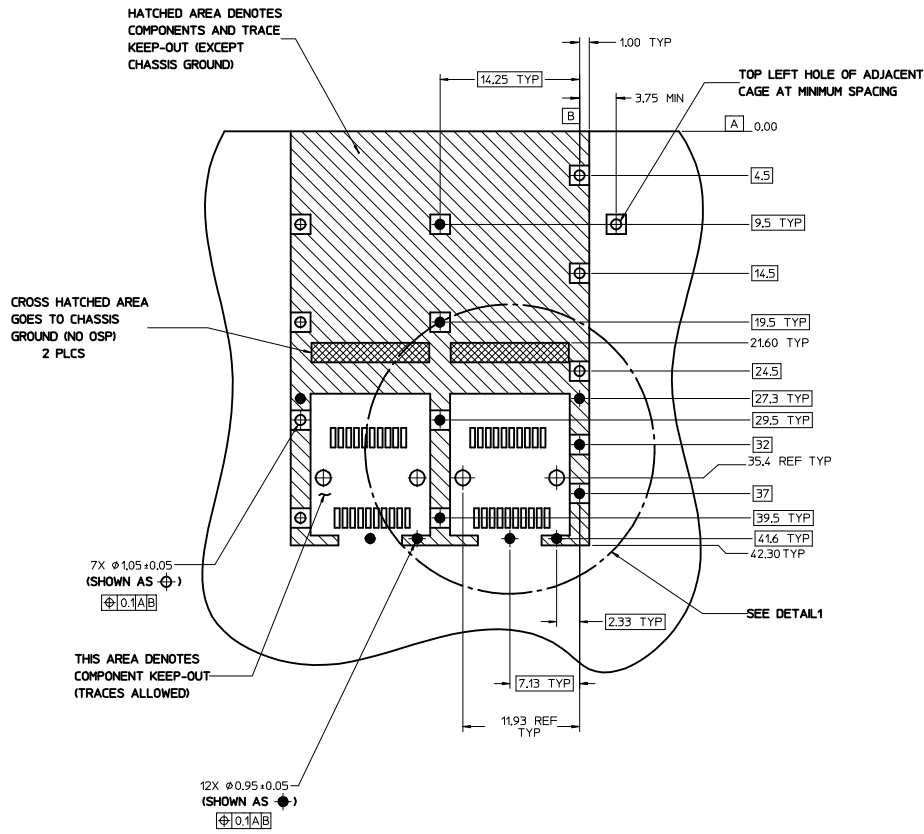
SEE REVISION TABLE	EC NO: CP02016-3004	2016/02/04
D	DRWN:ACHENG03	2016/02/04
CHKO:	APPR:CHENG08	2016/02/19
REV	DESCRIPTION	

QUALITY SYMBOLS	GENERAL TOLERANCES (UNLESS SPECIFIED)
▽=0	4 PLACES ± --- + ---
▽=0	3 PLACES ± --- + ---
▽=0	2 PLACES ± 0.15 + ---
	1 PLACE ± 0.25 + ---
	0 PLACE ± ±
	ANGULAR ± 1 °
	DRAFT WHERE APPLICABLE MUST REMAIN WITHIN DIMENSIONS

DIMENSION STYLE		SCALE	DESIGN UNITS	THIRD ANGLE PROJECTION
MM ONLY		3:1	METRIC	☉
DRAWN BY	DATE	TITLE		
MDANIELS	2011/08/19	ZSFP+ 1X2 CAGE ASSY W/ PRESS FIT, ELASTOMER & BELLY PCB GASKETS		
CHECKED BY	DATE	molex		
KJANOTA	2011/08/22	SD-111111-0210		
APPROVED BY	DATE	SHEET NO. 1 OF 5		
KJANOTA	2011/09/08			

MATERIAL NO. SEE CHART DOCUMENT NO. SD-111111-0210

PCB LAYOUT FOR SINGLE SIDE MOUNT



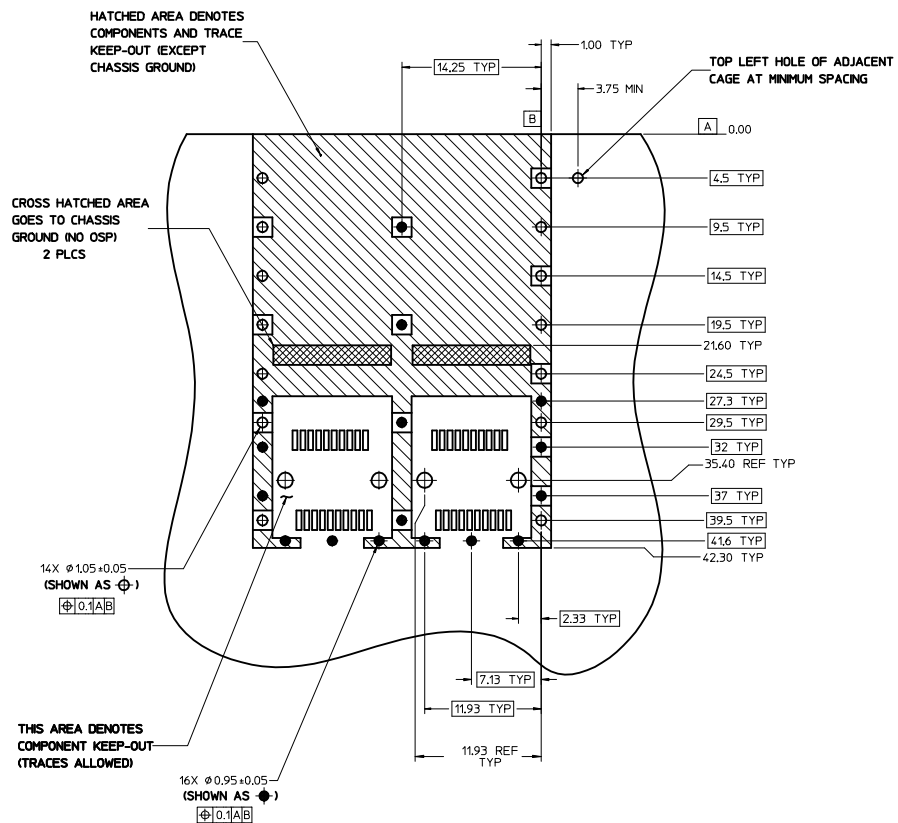
DETAIL 1  
SCALE 8:1  
HOST CONNECTOR DETAIL

NOTES (UNLESS OTHERWISE SPECIFIED):

1. PADS AND VIAS CONNECT TO CHASSIS GROUND (RECOMMEND PADS TO BE 2.00mm SQUARE)
2. RECOMMENDED THRU HOLE PLATING INCLUDES HASL, OSP, OR IMMERSION (GOLD, SILVER, OR TIN)
3. CONNECTOR PAD LAYOUT WILL ACCOMMODATE MOLEX CONNECTOR SERIES 170382 OR EQUIVALENT
4. HOLE PATTERN REPEATS FOR EACH PORT. SPACING BETWEEN PORTS IS 14.25mm.

<b>SEE REVISION TABLE</b> EC NO: CPG2016-3004 DRAWN BY: CHYK APPR: RCHEN08 2016/02/19	QUALITY SYMBOLS	GENERAL TOLERANCES (UNLESS SPECIFIED)	DIMENSION STYLE	SCALE	DESIGN UNITS	THIRD ANGLE PROJECTION
	▽=0	mm INCH	MM ONLY	3:1	METRIC	☉
	▽=0	4 PLACES ± --- ± ---	DRAWN BY DATE	TITLE		
	▽=0	3 PLACES ± --- ± ---	MDANIELS 2011/08/19	ZSFP+ 1X2 CAGE ASSY W/ PRESS FIT, ELASTOMER & BELLY PCB GASKETS		
▽=0	2 PLACES ± 0.15 ± ---	CHECKED BY DATE	molex			
	1 PLACE ± 0.25 ± ---	KJANOTA 2011/08/22	SD-111111-0210			
	0 PLACE ± ±	APPROVED BY DATE	SHEET NO.			
		KJANOTA 2011/09/08	2 OF 5			
		MATERIAL NO.	DOCUMENT NO.			
		SEE SHEET 1	SD-111111-0210			
DRAFT WHERE APPLICABLE MUST REMAIN WITHIN DIMENSIONS		THIS DRAWING CONTAINS INFORMATION THAT IS PROPRIETARY TO MOLEX INCORPORATED AND SHOULD NOT BE USED WITHOUT WRITTEN PERMISSION				

# PCB LAYOUT FOR BELLY TO BELLY MOUNTING



NOTE:

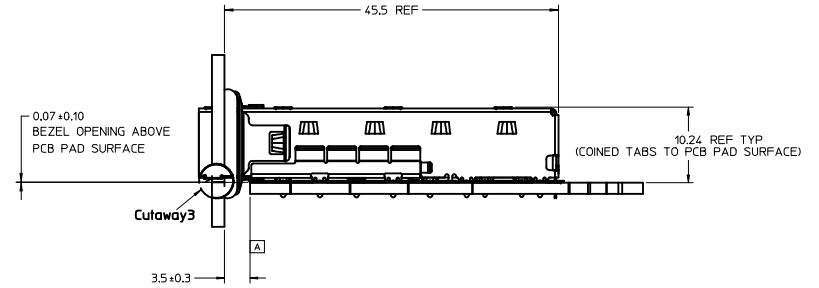
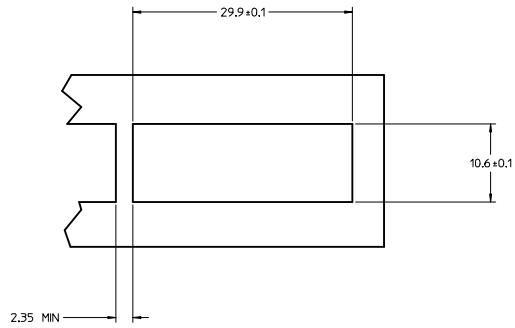
SEE SHEET 2 FOR  
HOST CONNECTOR DETAIL

NOTES (UNLESS OTHERWISE SPECIFIED):

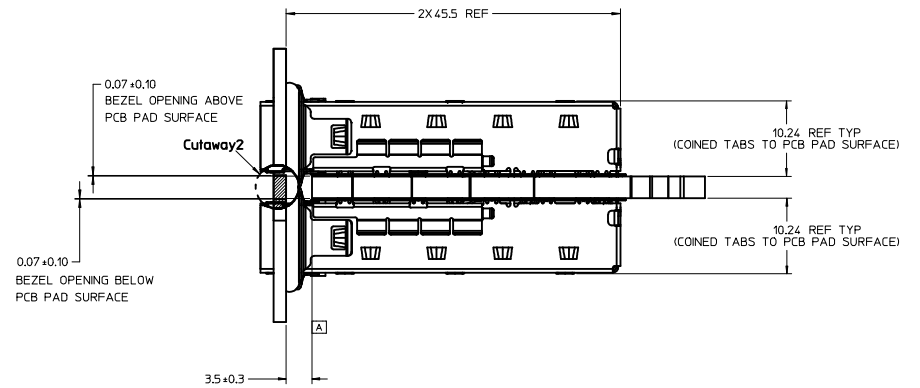
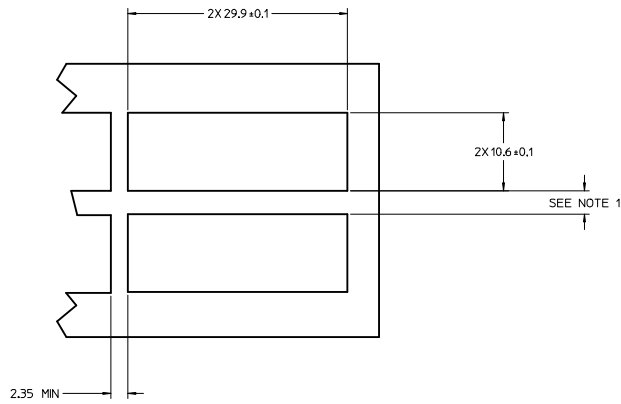
1. PADS AND VIAS CONNECT TO CHASSIS GROUND (RECOMMEND PADS TO BE 2.00mm SQUARE)
2. RECOMMENDED THRU HOLE PLATING INCLUDES HASL, OSP, OR IMMERSION (GOLD, SILVER, OR TIN)
3. CONNECTOR PAD LAYOUT WILL ACCOMMODATE MOLEX CONNECTOR SERIES 170382 OR EQUIVALENT
4. HOLE PATTERN REPEATS FOR EACH PORT. SPACING BETWEEN PORTS IS 14.25mm.

REV	DESCRIPTION	QUALITY SYMBOLS		GENERAL TOLERANCES (UNLESS SPECIFIED)		DIMENSION STYLE		SCALE	DESIGN UNITS	THIRD ANGLE PROJECTION
		mm	INCH	mm	INCH	MM ONLY	3:1	METRIC	☉	
▽=0	4 PLACES	±	---	±	---	MDANIELS	2011/08/19			<b>ZSFP+ 1X2 CAGE ASSY W/ PRESS FIT, ELASTOMER &amp; BELLY PCB GASKETS</b> <b>molex</b> MATERIAL NO. SD-111111-0210 DOCUMENT NO. SD-111111-0210 SHEET NO. 3 OF 5
▽=0	3 PLACES	±	---	±	---	CHECKED BY	DATE			
▽=0	2 PLACES	±0.15	±---	±	---	KJANOTA	2011/08/22			
▽=0	1 PLACE	±0.25	±---	±	---	APPROVED BY	DATE			
	0 PLACE	±	---	±	---	KJANOTA	2011/09/08			
SEE REVISION TABLE		DRAWN BY		DATE		DRAWN BY		DATE		
EC NO: CPG2016-3004		DRWNA:CHENG03		2016/02/04		MDANIELS		2011/08/19		
CHKD: APPR:CHEN08		DRWNA:CHENG03		2016/02/04		KJANOTA		2011/08/22		
		APPR:CHEN08		2016/02/19		KJANOTA		2011/09/08		
						SEE SHEET 1				
						DRAFT WHERE APPLICABLE MUST REMAIN WITHIN DIMENSIONS				
						ANGULAR ± 1 °				
						SIZE				
						THIS DRAWING CONTAINS INFORMATION THAT IS PROPRIETARY TO MOLEX INCORPORATED AND SHOULD NOT BE USED WITHOUT WRITTEN PERMISSION				

BEZEL AND BOARD POSITION DIMENSIONS FOR SINGLE SIDE MOUNTING



BEZEL AND BOARD POSITION DIMENSIONS FOR BELLY TO BELLY MOUNTING



NOTES (UNLESS OTHERWISE SPECIFIED):

1. PCB THICKNESS VARIATION MUST BE CONSIDERED WHEN DETERMINING BEZEL OPENING SIZE AND LOCATION

<b>SEE REVISION TABLE</b> EC NO: CPG2016-3004 D: DRW:ACHENG03 CHKD: CHYD APPR:ACHEN08 2016/02/19	QUALITY SYMBOLS	GENERAL TOLERANCES (UNLESS SPECIFIED)	DIMENSION STYLE	SCALE	DESIGN UNITS	THIRD ANGLE PROJECTION
	▽=0	mm INCH	MM ONLY	3:1	METRIC	☉
	▽=0	4 PLACES ± ---	DRAWN BY	DATE	TITLE	
	▽=0	3 PLACES ± ---	MDANIELS	2011/08/19	ZSFP+ 1X2 CAGE ASSY	
	2 PLACES ± 0.15	CHECKED BY	DATE			
	1 PLACE ± 0.25	KJANOTA	2011/08/22			
	0 PLACE ±	APPROVED BY	DATE			
		KJANOTA	2011/09/08			
		ANGULAR ± 1 °	MATERIAL NO.	DOCUMENT NO.		
		DRAFT WHERE APPLICABLE MUST REMAIN WITHIN DIMENSIONS	SEE SHEET 1	SD-111111-0210		
			THIS DRAWING CONTAINS INFORMATION THAT IS PROPRIETARY TO MOLEX INCORPORATED AND SHOULD NOT BE USED WITHOUT WRITTEN PERMISSION			

20 19 18 17 16 15 14 13 12 11 10 9 8 7 6 5 4 3 2 1

DATE	REV	DESCRIPTION
2011/09/08	A	INITIAL RELEASE
2012/05/02	B	1. UPDATED THE TITLE IN TITLE BLOCK AND MODIFY THE GENERAL TOLERANCES 2. ADDED 111110212 AND 111110216 TO P/N TABLE, UPDATE RoHS NOTE AND MATERIAL NOTES ON SHEET 1 3. UPDATED DIMENSIONS TO MATCH STD DIMENSIONING METHOD 4. UPDATED THE HOST CONNECTOR DETAIL ON SHEET 2 5. UPDATED THE BEZEL OPENING DIMENSIONS AND ADD DATUM A ON SHEET 4
2012/08/15	C	UPDATE P/N 11111-0212 FLAMMABILITY RATING FROM UL94 HB TO UL94 V-0 ON CHART [SHEET 1]
2016/02/04	D	SHEET 4: D9: CORRECT TYPO. CHANGED 'ABOVE' TO 'BELOW'

<b>SEE REVISION TABLE</b> IEC NO: CPG2016-3004 DRAWN: ACHENG03 2016/02/04 CHKD: APPR: RCHEN08 2016/02/19 REV:	QUALITY SYMBOLS	GENERAL TOLERANCES (UNLESS SPECIFIED)	DIMENSION STYLE	SCALE	DESIGN UNITS	THIRD ANGLE PROJECTION
	▽=0	4 PLACES ± mm ± INCH	MM ONLY	3:1	METRIC	☉ □
	▽=0	3 PLACES ± 0.15 ±				
	▽=0	2 PLACES ± 0.25 ±				
		ANGULAR ± 1 °				
		DRAFT WHERE APPLICABLE MUST REMAIN WITHIN DIMENSIONS				
			DRAWN BY	DATE	TITLE	
			MDANIELS	2011/08/19	ZSFP+ 1X2 CAGE ASSY	
			CHECKED BY	DATE	W/ PRESS FIT, ELASTOMER	
			KJANOTA	2011/08/22	& BELLY PCB GASKETS	
			APPROVED BY	DATE	<b>molex</b>	
			KJANOTA	2011/09/08	DOCUMENT NO.	
			MATERIAL NO.		SD-111111-0210	SHEET NO.
			<b>SEE SHEET 1</b>			5 OF 5
			SIZE	THIS DRAWING CONTAINS INFORMATION THAT IS PROPRIETARY TO MOLEX INCORPORATED AND SHOULD NOT BE USED WITHOUT WRITTEN PERMISSION		

19 18 17 16 15 14 13 12 11 10 9 8 7 6 5 4 3 2 1