

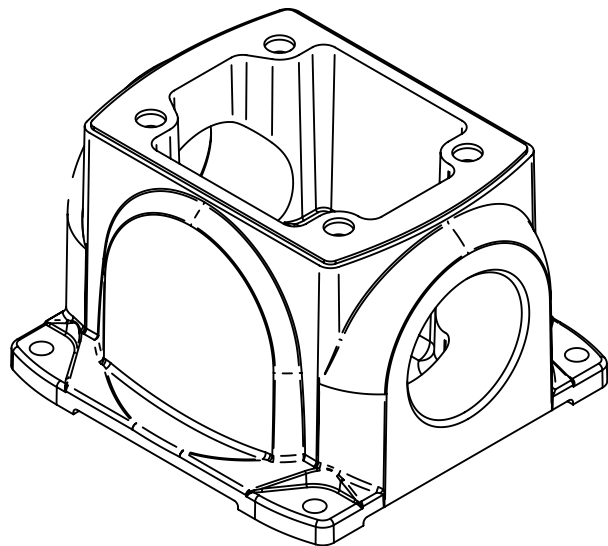
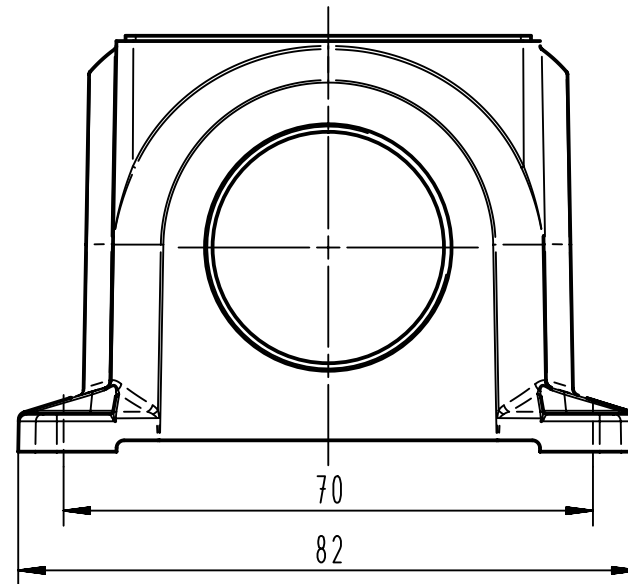
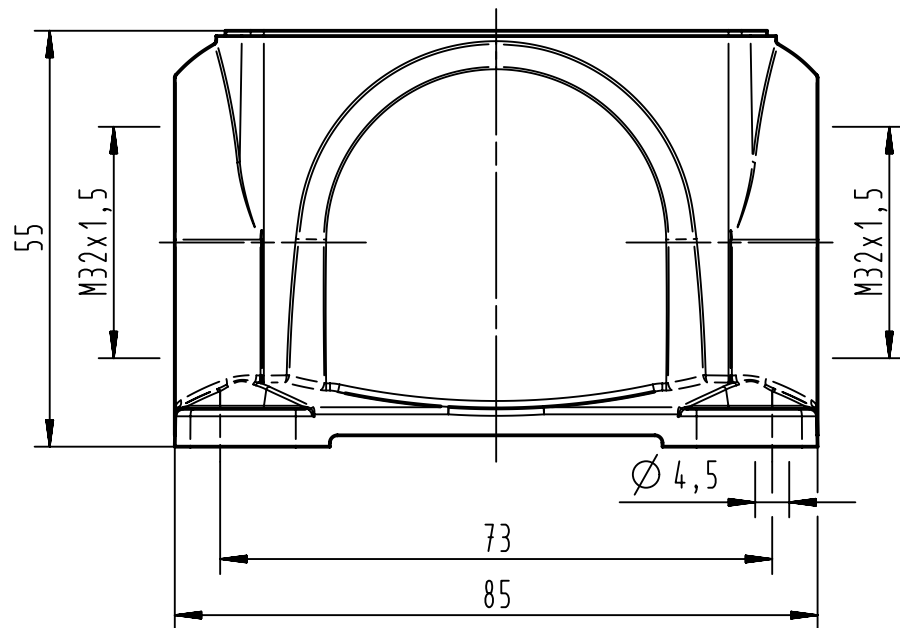
1 2 3 4 5 6

A

B

C

D



4 x M4-screws and washers enclosed separately / tightening torque 1.2-2 Nm

	All Dimensions in mm Original Size DIN A4		Scale 1:1	Free size tol.		Ref.		
						Sub.		
	All rights reserved		Created by HOLLERT	Inspected by BEISCHER	Standardisation SCHMIDTM	Date 2012-09-14	State Final Release	
	Department EL PD - DE		Title Han-Yellock 30 HSM 2xM32				Doc-Key / ECM-Nr. 100225004/UGD/002/C	
HARTING Electric GmbH & Co. KG D-32339 Espelkamp			Type TB	Number 11 12 300 1206			Rev. C	Page 1/1