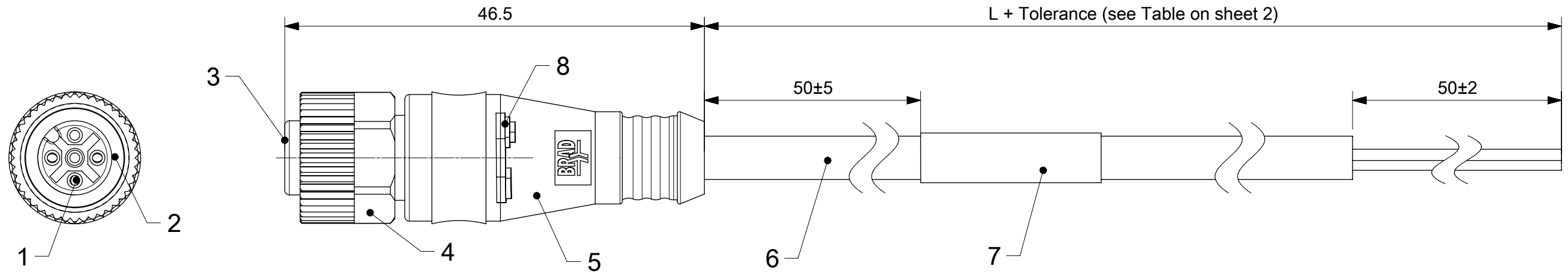
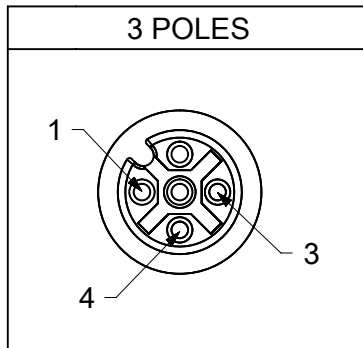


FEMALE PLUG M12 STRAIGHT PNP LED



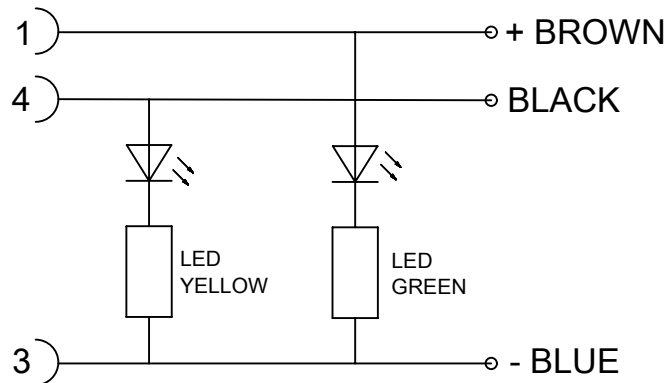
CONTACT POSITION FRONT VIEW:



PIN	WIRE
1	BROWN
2	-
3	BLUE
4	BLACK
5	-

CODING REQUIRED TO IEC 61076-2-101

PNP WIRING



BILL OF MATERIALS

ITEM	QTY.	DESCRIPTION	MATERIAL	FINISH
8	1	PCB PNP	---	---
7	1	LABEL YELLOW	VINYL	---
6	-	CABLE	SEE SHEET 2	---
5	-	OVERMOULDING TRANSPARENT	TPU	---
4	1	COUPLING NUT FEMALE	BRASS	NICKEL
3	1	INSERT FEMALE BLACK	PUR	---
2	1	ORING RED	FPM	---
1	3	CONTACT M12 FEMALE	BRASS	SELECTIVE GOLD OVER NICKEL

THIS DRAWING CONTAINS INFORMATION THAT IS PROPRIETARY TO MOLEX ELECTRONIC TECHNOLOGIES, LLC AND SHOULD NOT BE USED WITHOUT WRITTEN PERMISSION

QUALITY SYMBOLS FA = 0 FE = 0 FB = 0 FV = 0 FC = 0 FX = 0 FS = 0 FT = 0	EC NO: 105100 DRWN: APAWLAK01 CHK'D: MIWASIECZKO APPR: MIWASIECZKO	2016/05/09 2016/05/20 2016/05/20	GENERAL TOLERANCES (UNLESS SPECIFIED) ANGULAR TOL ± 1.0 ° 4 PLACES ± 3 PLACES ± 2 PLACES ± 0.05 1 PLACE ± 0.1 0 PLACES ± 0.2	DIMENSION UNITS: mm SCALE: 2:1 DRWN BY: APAWLAK01 DATE: 2016/05/09 CHK'D BY: MIWASIECZKO DATE: 2016/05/20 APPR BY: MIWASIECZKO DATE: 2016/05/20	 CSE M12 PNP 3P AC FE STR WSOR XM SE BK PRODUCT CUSTOMER DRAWING SERIES: 120067 MATERIAL NUMBER: SEE SHEET 2 CUSTOMER: GENERAL MARKET DOCUMENT NUMBER: 1200678454 DOC TYPE: PSD DOC PART: 000 SHEET NUMBER: 1 OF 2
	DRAFT WHERE APPLICABLE MUST REMAIN WITHIN DIMENSIONS	DRAWING SIZE: A3 THIRD ANGLE PROJECTION			
	RELEASE STATUS: P1 RELEASE DATE: 2016/05/20 06:35:22				
	A3				

ENGINEERING NO. - NUMERICAL CODE (Available parts see PART LIST table. Others on request).

8 0 3 0 P 0 B 3 0 X X X X

80 = M12x1
Single ended

Poles:
3 = 3 Poles

Heads style:
0P0 = Plug Female
Straight PNP LED

Cable:
B30 = 0.34mm² TPU Black

Units:
M = Meter

Length
Examples:
005 = 0.5 m
010 = 1 m
020 = 2 m
050 = 5 m
100 = 10 m
150 = 15 m
200 = 20 m

CABLE TYPE	NO. OF WIRES	CROSS SECTION	CABLE JACKET	UL	CSA	STATIC: TEMP. / BENDING RADIUS	DYNAMIC: TEMP. / BENDING RADIUS	DRAG CHAIN	SHIELD
B30	3	0.34mm ²	TPU BLACK	UL STYLE 21215	YES	-40°C to +90°C, 5xD	-25°C to +80°C, 7.5xD	-	-

CABLE LENGTH TOLERANCES		
LENGTH	TOLERANCE	
shorter 1m	+40 mm	-0 mm
1m-5m	+60 mm	-0 mm
5m-10m	+80 mm	-0 mm
10m-20m	+140 mm	-0 mm
20m-30m	+160 mm	-0 mm
longer 30m	+1%	-0 mm

PART LIST

MOLEX PN	ENGINEERING PN	CABLE LENGTH IN METER
1200678454	8030P0B30M010	1m
1200678455	8030P0B30M020	2m
1200678456	8030P0B30M030	3m
1200678431	8030P0B30M050	5m
1200678457	8030P0B30M100	10m

QUALITY SYMBOLS ▽ _A = 0 ▽ _E = 0 ▽ _F = 0 ▽ = 0 ▽ _C = 0 ⊠ = 0 ■ = 0 ▽ _∇ = 0	THIS DRAWING CONTAINS INFORMATION THAT IS PROPRIETARY TO MOLEX ELECTRONIC TECHNOLOGIES, LLC AND SHOULD NOT BE USED WITHOUT WRITTEN PERMISSION											
	EC NO: 105100 DRWN: APAWLAK01 CHK'D: MIWASIECZKO REV APPR: MIWASIECZKO	2016/05/09		2016/05/20		2016/05/20		GENERAL TOLERANCES (UNLESS SPECIFIED)		DIMENSION UNITS	SCALE	
		ANGULAR TOL ± 1.0 °						4 PLACES ±		mm	1:1	
		3 PLACES ±						3 PLACES ±		DRWN BY	DATE	
		2 PLACES ± 0.05						2 PLACES ±		APAWLAK01	2016/05/09	
		1 PLACE ± 0.1						1 PLACE ±		CHK'D BY	DATE	
	0 PLACES ± 0.2						0 PLACES ±		MIWASIECZKO	2016/05/20		
	DRAFT WHERE APPLICABLE MUST REMAIN WITHIN DIMENSIONS						DRAWING SIZE	THIRD ANGLE PROJECTION	PRODUCT CUSTOMER DRAWING			
							A3		SERIES	MATERIAL NUMBER	CUSTOMER	
									120067	SEE TABLE	GENERAL MARKET	
								DOCUMENT NUMBER		DOC TYPE	DOC PART	SHEET NUMBER
								1200678454		PSD	000	2 OF 2