

6

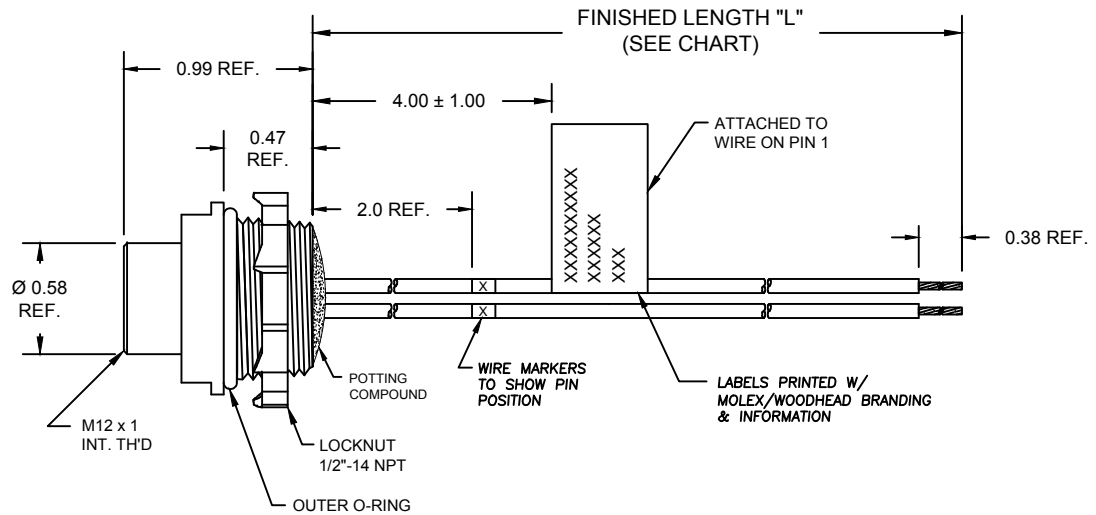
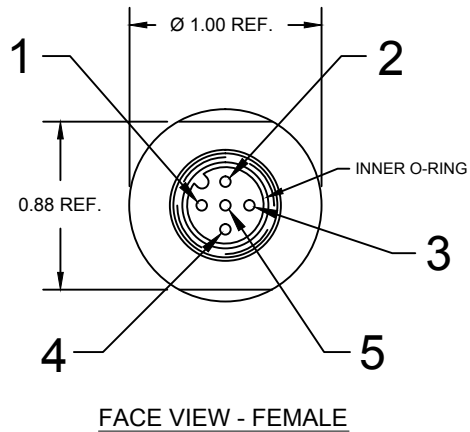
5

4

3

2

1



1	BLUE
2	BLUE
3	WHITE/BLUE
4	BLUE
5	GREEN

SPECIFICATIONS:

SHELL MATERIAL: NICKEL PLATED ZINC DIECAST
 CONTACT MATERIAL: GOLD/NICKEL OVER COPPER ALLOY
 INSERT MATERIAL: BLACK NYLON
 INNER O-RING: RED NITRILE
 LOCKNUT: ZINC-PLATED STEEL
 OUTER O-RING: BLACK NITRILE

WIRES: #18-1, PVC LEADS
 ASSEMBLY RATING: 250V, 4A

ENVIRONMENTAL: -20°C TO 105°C
 IP67 WHEN MATED

AGENCY: UL LISTED

MOLEX SAP P/N#	ENGINEERING P/N#	"L" (Meters)	"L" (INCH)	TOLERANCE (INCH)
1200700493	8R5000AB7M020N	2.0 M	78.74"	+3.50"/-0.00"
1200700495	8R5000AB7M040N	4.0 M	157.48"	+6.50"/-0.00"

A20110637 RELEASE EC NO: WNA2011-0422 DRWN: YOU 2011/01/28 CHKD: LHARTMAN APPR: JFMURPHY 2012/03/20	QUALITY SYMBOLS ▽=0 ▽C=0	GENERAL TOLERANCES (UNLESS SPECIFIED)		DIMENSION STYLE INCH ONLY		SCALE 1:1	DESIGN UNITS INCH	THIRD ANGLE PROJECTION	
			mm	INCH	DRAWN BY YOU	DATE 2011/01/28	TITLE M12 MICRO-CHANGE RECEPT 5P F/FR 1/2 NPT MOUNT #18-1 PVC WIRES		
2	REV	4 PLACES	±---	±---	CHECKED BY LHARTMAN	DATE 2012/02/17	MOLEX INCORPORATED		
		3 PLACES	±---	±.005	APPROVED BY JFMURPHY	DATE 2012/03/20	DOCUMENT NO. SD-120070-038		
		2 PLACES	±---	±.010	MATERIAL NO.		SHEET NO. 1 OF 1		
		1 PLACE	±---	±.020	SIZE A		THIS DRAWING CONTAINS INFORMATION THAT IS PROPRIETARY TO MOLEX INCORPORATED AND SHOULD NOT BE USED WITHOUT WRITTEN PERMISSION		
		ANGULAR ±1/2°			SEE CHART				
		DRAFT WHERE APPLICABLE MUST REMAIN WITHIN DIMENSIONS							

6

5

4

3

2

1