

MATERIAL NUMBER	ENGINEERING NUMBER	FINISHED LENGTH
1300280068	DND23A-M005	1.64' +1.75" -0 [1.5M +44.5 -0]
1300280070	DND23A-M010	3.28' +2.19" -0 [1.0M +55.6 -0]
1300280073	DND23A-M020	6.56' +3.50" -0 [2.0M +88.9 -0]
1300280075	DND23A-M030	9.84' +3.50" -0 [3.0M +88.9 -0]
1300280076	DND23A-M040	13.12' +6.50" -0 [4.0M +165.1 -0]
1300280077	DND23A-M050	16.40' +6.50" -0 [5.0M +165.1 -0]
1300280078	DND23A-M060	19.69' +6.50" -0 [6.0M +165.1 -0]

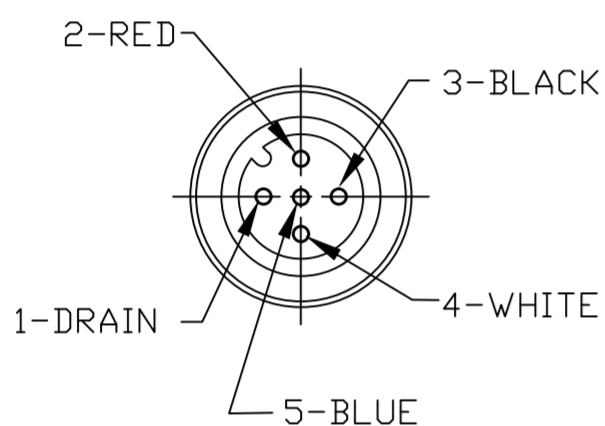
(B) PART NUMBER LEGEND

DND23A-M005

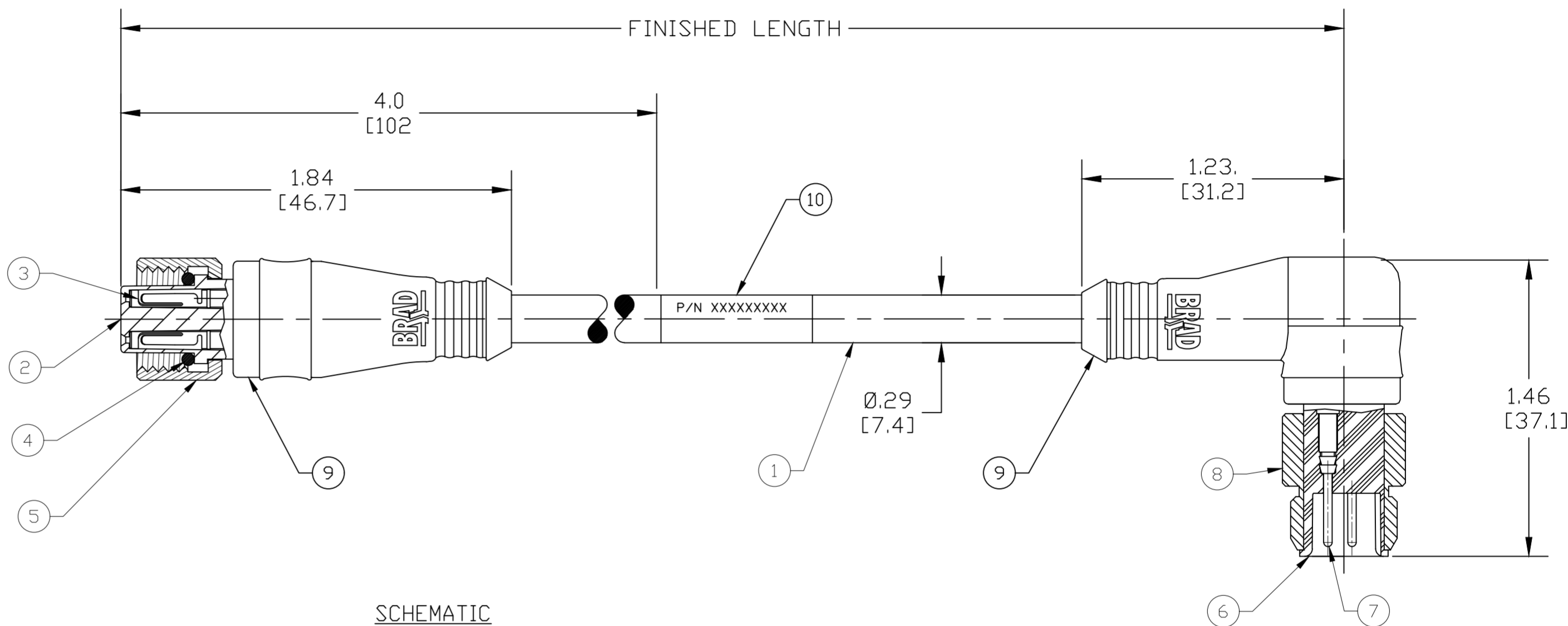
FINISHED LENGTH:
M005= 0.5 METER
M010= 1.0 METER
M100= 10.0 METERS

(B) CABLE LENGTH TOLERANCES

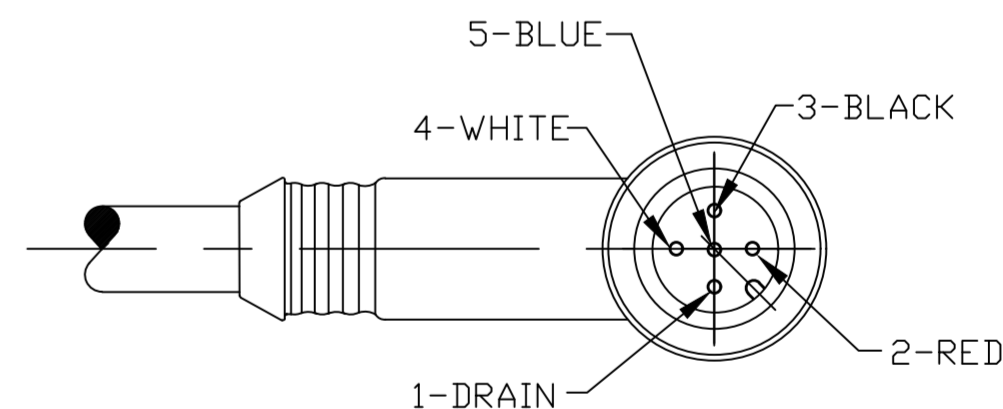
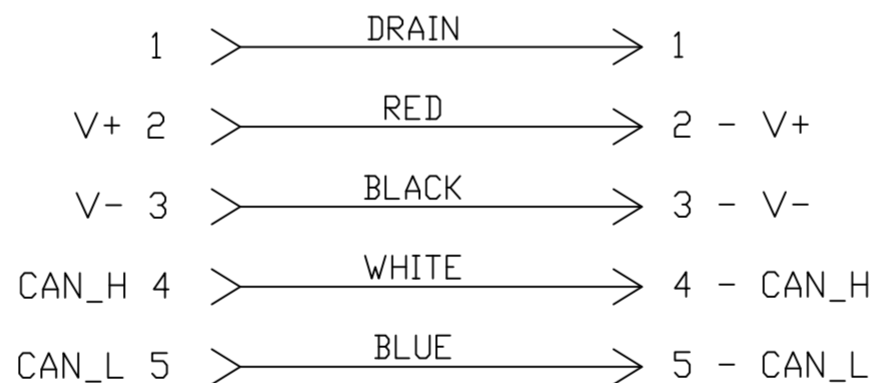
<.3M [1FT]	+19mm-0 [+.75in-0]
.3 - .9M [1 - 3FT]	+44.5mm-0 [+1.75in-0]
.9 - 1.8M [3 - 6FT]	+55.6mm-0 [+2.19in-0]
1.8 - 3.7M [6 - 12FT]	+88.9mm-0 [+3.50in-0]
3.7 - 7.3M [12 - 24FT]	+165.1mm-0 [+6.50in-0]
7.3-14.6M [24 - 48FT]	+317.5mm-0 [+12.50in-0]
14.6 - 30.5M [48-100FT]	+622.3mm-0 [+24.50in-0]
OVER 30M [100FT]	+2% OF FINISHED LENGTH



FEMALE INSERT FACE VIEW



SCHEMATIC



MALE-FACE VIEW

- (B) NOTES:**
1. MATERIAL: AS NOTED
 2. FINISH: AS NOTED
 3. ELECTRICAL:
VOLTAGE: 250V
CURRENT: 4A
 4. TEMP RATING: -25°C TO +80°C
 5. PROTECTION: IP67 (WHEN MATED)
 6. COUPLING THREAD: M12 X 1.0
 7. ALL DIMS ARE FOR REFERENCE UNLESS TOLERANCED OR NOTED OTHERWISE

10	LABEL	VINYL	BLACK/YELLOW
9	OVERMOLDS	TPC (B)	GRAY
8	COUPLING, MALE	ZINC DIE-CAST	BLACK E-COAT
7	CONTACT PIN	Cu ALLOY	GOLD PLATED
6	INSERT, MALE	NYLON	BLACK
5	COUPLING, FEMALE	ZINC DIE-CAST	BLACK E-COAT
4	O-RING	NITRILE	RED
3	CONTACT SOCKET	Cu ALLOY	GOLD PLATED
2	INSERT, FEMALE	NYLON	BLACK
1	DEVICENET, 22AWG DRDP CABLE	PVC JACKET	GRAY
ITEM	DESCRIPTION	MATERIAL	FINISH

FUNCTIONAL SYMBOLS				THIS DRAWING CONTAINS INFORMATION THAT IS PROPRIETARY TO MOLEX ELECTRONIC TECHNOLOGIES, LLC AND SHOULD NOT BE USED WITHOUT WRITTEN PERMISSION			
DIMENSION UNITS		SCALE		CURRENT REV DESC: OVERMOLD WAS PVC, UPDATE NOTES, ADD P/N LEGEND, AND LENGTH TOLS			
INCH/MM		NTS					
GENERAL TOLERANCES (UNLESS SPECIFIED)							
		mm	INCH				
4 PLACES		±----	±----	EC NO: 713760			
3 PLACES		±----	±----	DRWN: RSTONE 2022/05/06			
2 PLACES		±----	±----	CHK'D: ALEON01 2022/05/27			
1 PLACE		±----	±----	APPR: BWOODMAN 2022/07/12			
0 PLACES		±----	±----	INITIAL REVISION:			
ANGULAR TOL ± ---- °				DRWN: TWOLDEGE 2010/01/11			
DRAFT WHERE APPLICABLE MUST REMAIN WITHIN DIMENSIONS		THIRD ANGLE PROJECTION		DRAWING		SERIES	
		C-SIZE		130028		MATERIAL NUMBER	
				GENERAL MARKET		SHEET NUMBER	
				1 OF 1			

molex

MICRO CHANGE DEVICE NET

5 POLE MALE 90 DEG TO FEMALE STRAIGHT 22AWG PVC

PRODUCT CUSTOMER DRAWING

DOCUMENT NUMBER: SD-130028-007

DOC TYPE/DOC PART/REVISION: PSD 001 B

CUSTOMER: GENERAL MARKET