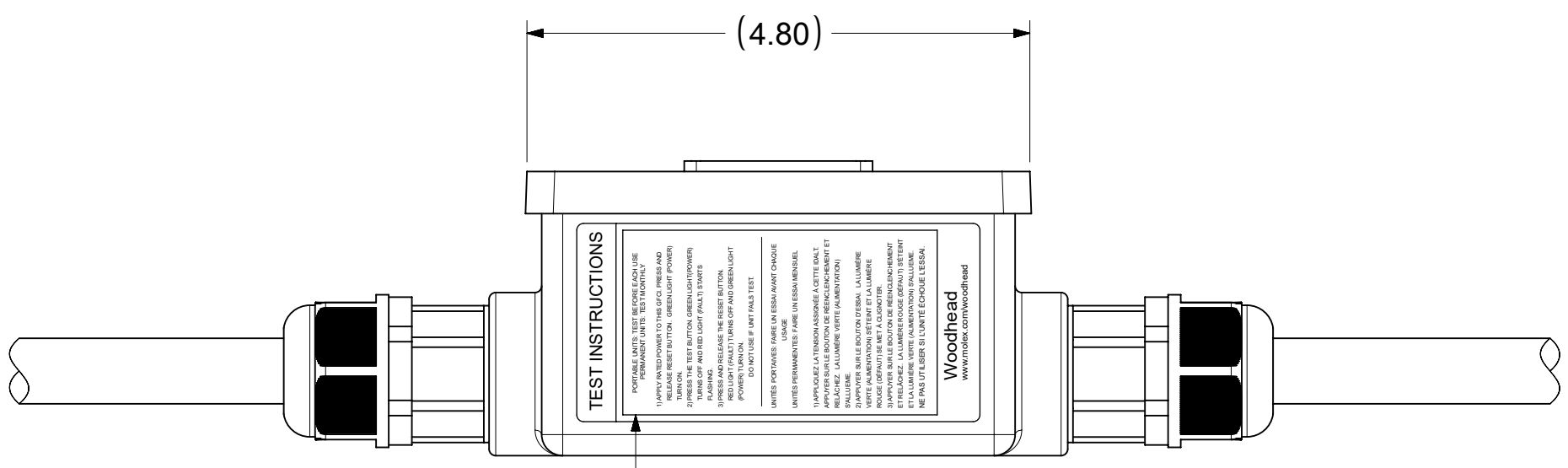


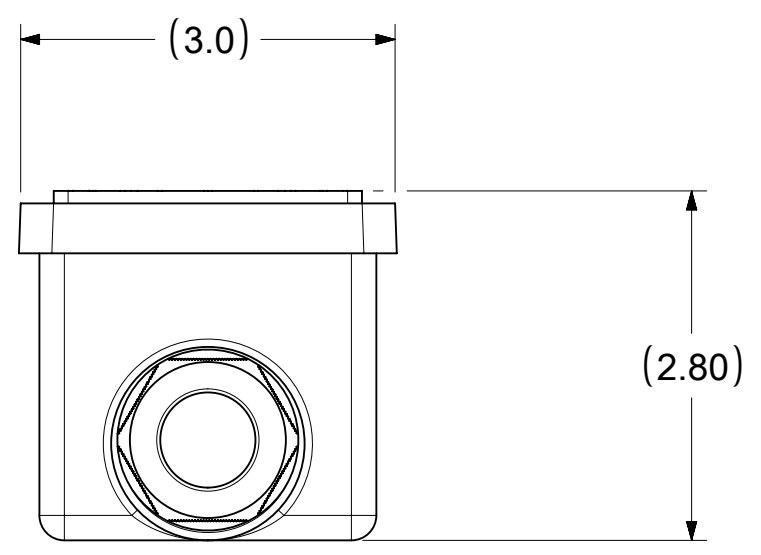
LED INDICATORS CONFIRMS POWER AND FAULT STATUS

RUGGED, RAINPROOF, UV- STABILIZED ENCLOSURE RESISTS ABUSE, SUNLIGHT, OILS AND CHEMICALS

#10-3 SJEOOW 300V CORD COLOR: YELLOW



TEST SPECIFICATIONS LABEL



TECHNICAL

- | | |
|-----------------------|-----------------------|
| LISTED: | UL & CSA |
| RATED SUPPLY VOLTAGE: | 120/240VAC |
| RATED CURRENT: | UP TO 30 AMPS |
| RESET TYPE: | AUTOMATIC OR MANUAL |
| OPERATING FREQUENCY: | 60 Hz |
| TYPE: | CLASS A |
| GROUND TRIP CURRENT: | 5mA +/- 1mA |
| OVERLOAD CURRENT: | 180 AMPS, 0.45PF |
| INSULATION VOLTAGE: | 1,500 VRMS - 1 MINUTE |
| ENDURANCE OPERATIONS: | 3000 OPERATIONS |
| ENCLOSURE: | NEMA 4X/6P |

MATERIAL NUMBER	PART NUMBER	LENGTH "L"	LENGTH "A"	POWER-UP	RATED VOLTAGE
1301530261	30051-0A	2 FT 9.4 IN	1 FT	AUTO	120VAC
1301530262	30051-0M	2 FT 9.4 IN	1 FT	MANUAL	120VAC
1301530181	30053-0A	2 FT 9.4 IN	1 FT	AUTO	240VAC
1301530182	30053-0M	2 FT 9.4 IN	1 FT	MANUAL	240VAC

FUNCTIONAL SYMBOLS $F_A = 0$ $F_C = 0$ $F_P = 0$ DIVISIONAL SYMBOLS	THIS DRAWING CONTAINS INFORMATION THAT IS PROPRIETARY TO MOLEX ELECTRONIC TECHNOLOGIES, LLC AND SHOULD NOT BE USED WITHOUT WRITTEN PERMISSION					
	DIMENSION UNITS		SCALE		CURRENT REV DESC: MIGRATION TO ECTR/NX	
	INCH		NTS			
	GENERAL TOLERANCES (UNLESS SPECIFIED)					
4 PLACES		±	±	EC NO: 670716		
3 PLACES		±	± 0.005	DRWN: PPURSUTANDEL 2021/05/26		
2 PLACES		± 0.13	± 0.01	CHK'D: DNGUYEN62 2021/08/05		
1 PLACE		± 0.25	± 0.02	APPR: HKNEELAND 2021/08/06		
0 PLACES		±	±	INITIAL REVISION:		
ANGULAR TOL		± 0.5 °		DRWN: HRUIZ01 2013/02/11		
DRAFT WHERE APPLICABLE MUST REMAIN WITHIN DIMENSIONS		THIRD ANGLE PROJECTION		APPR: JFMURPHY 2014/08/02		
		DRAWING		SERIES		
		C-SIZE		130153		
DOCUMENT NUMBER			DOC TYPE DOC PART REVISION			
SD-130153-035			PSD 001 B1			
MATERIAL NUMBER		CUSTOMER		SHEET NUMBER		
SEE TABLE		GNEERAL MARKET		1 OF 1		