

LOC	DIST	REVISIONS					
CE	16	P	LTR	DESCRIPTION	DATE	DWN	APVD
		B		REV PER 0A00-0309-04	17JUN04	KG	DK

DESCRIPTION:

DIAMOND - 9 MICRON  
 DISK DIAMETER: 5 INCH, NO HOLE  
 3 MIL BACKING


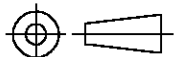
5.00 IN	1374484-1
DISK DIAMETER	PART NUMBER

THIS DRAWING IS UNPUBLISHED.

ALL RIGHTS RESERVED.

BY TYCO ELECTRONICS CORPORATION.

© COPYRIGHT

DIMENSIONS: INCHES	DWN	LG EBY	15MAR04	MATERIAL	-	FINISH	-						
	CHK	M. THOMPSON	15MAR04	 Tyco Electronics Corporation Harrisburg, Pa 17105-3608									
TOLERANCES UNLESS OTHERWISE SPECIFIED:	APVD	F. ABENDSCHEIN	15MAR04										
0 PLC ± -	PRODUCT SPEC			NAME									
1 PLC ± -	-			POLISHING FILM, 9 MICRON									
2 PLC ± -	APPLICATION SPEC			DIAMOND, 5 INCH DISK									
3 PLC ± -	-			SIZE	CAGE CODE	DRAWING NO	RESTRICTED TO						
4 PLC ± -	-			A4	00779	C-1374484	-						
ANGLES ± -	WEIGHT			-									
				CUSTOMER DRAWING		SCALE	NTS	SHEET	1	OF	1	REV	B