

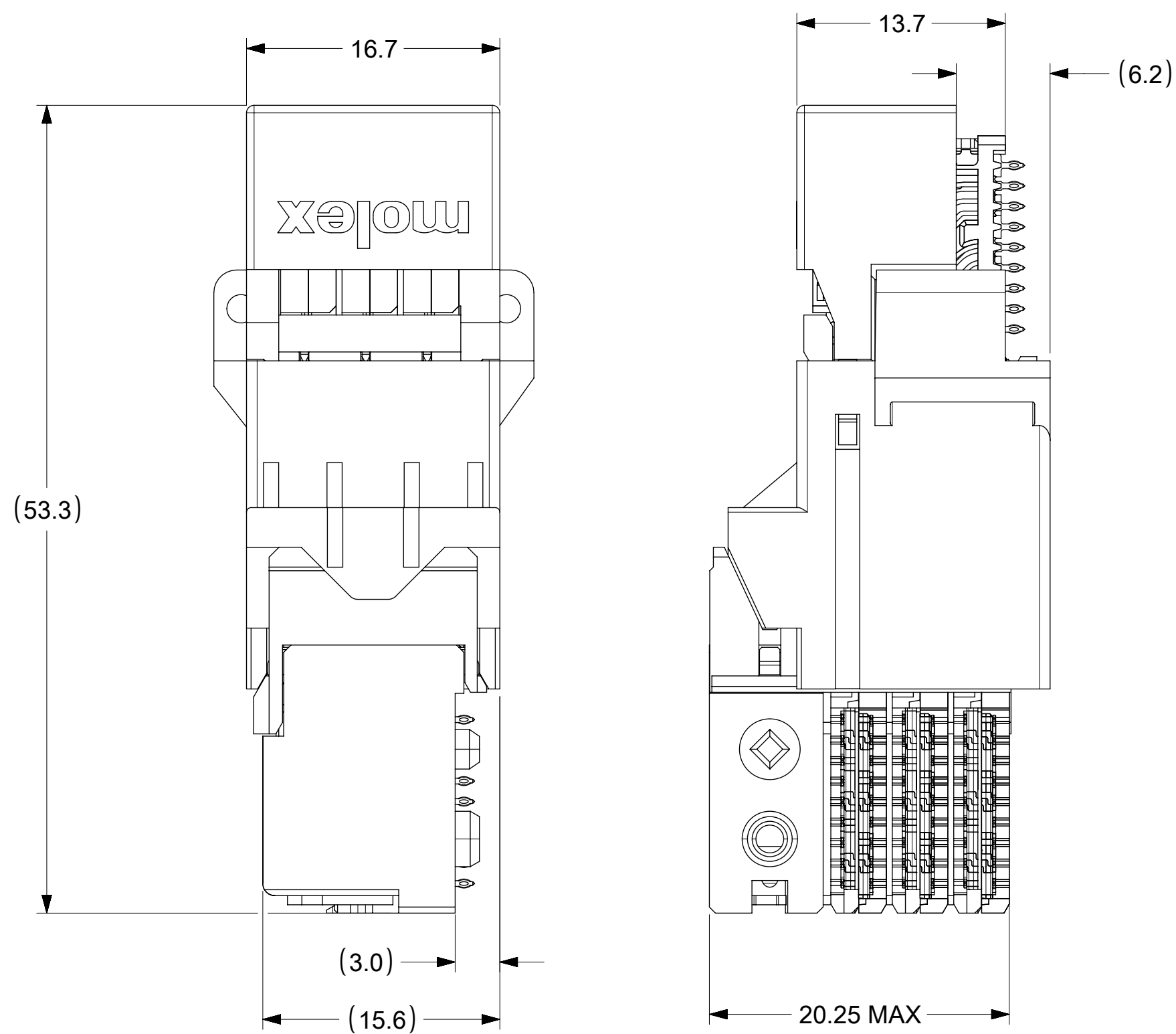
OD-RAM HOLE PATTERN (CONNECTOR SIDE)

FUNCTIONAL SYMBOLS	THIS DRAWING CONTAINS INFORMATION THAT IS PROPRIETARY TO MOLEX ELECTRONIC TECHNOLOGIES, LLC AND SHOULD NOT BE USED WITHOUT WRITTEN PERMISSION					
	DIMENSION UNITS	SCALE	CURRENT REV DESC: MIGRATED TO NX & CORRECTED 3 DIMENSIONS @ SHT_1 (F07, F06 & E06).			
$\nabla_A = 0$	mm	NTS	EC NO: 655850 DRWN: ABN 2018/08/29 CHK'D: SHONG 2021/02/18 APPR: SHONG 2021/02/18			
$\nabla_C = 0$	GENERAL TOLERANCES (UNLESS SPECIFIED)					
$\nabla_P = 0$	ANGULAR TOL ± 0.5°		INITIAL REVISION: DRWN: JMENDOZA 2012/12/14 APPR: JMENDOZA 2012/12/14			
DIVISIONAL SYMBOLS	4 PLACES ±		DOCUMENT NUMBER	DOC TYPE	DOC PART	REVISION
	3 PLACES ±		SD-171573-0002	PSD	001	C1
	2 PLACES ± 0.13		MATERIAL NUMBER	CUSTOMER	SHEET NUMBER	
	1 PLACE ± 0.25		SEE CHART	GENERAL MARKET	1 OF 4	
	0 PLACES ±					
	DRAFT WHERE APPLICABLE MUST REMAIN WITHIN DIMENSIONS		THIRD ANGLE PROJECTION	DRAWING	SERIES	
				C-SIZE	171573	

molex

IMPACT ORTHOGONAL DIRECT
3 PAIR RAM 90 & 270 ASSY TOP GUIDED SALES
DRAWING

PRODUCT CUSTOMER DRAWING



MATED DIMENSIONS
(POSITION 90° SHOWN)

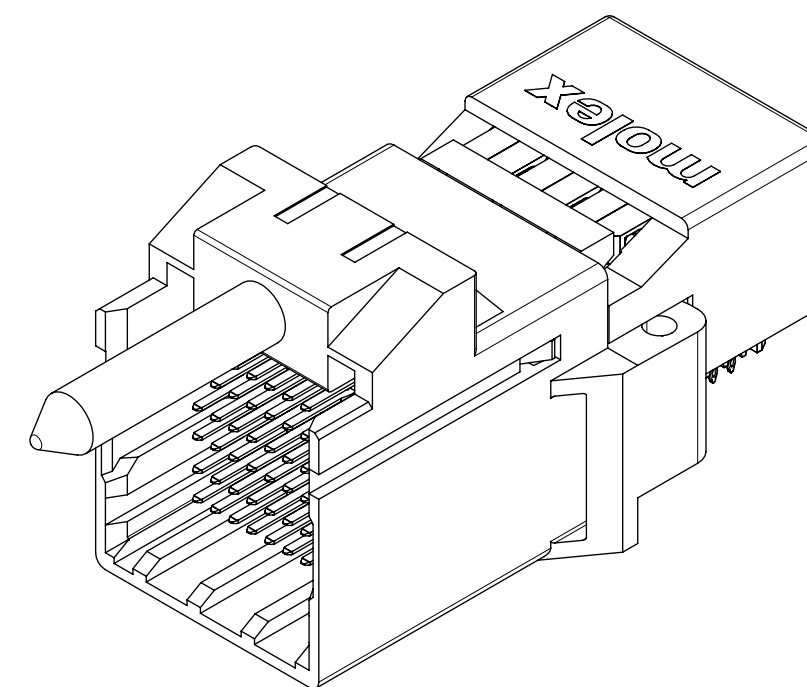
171573-7 6 * *

MODULE TYPE
7 = TOP GUIDED, TIN

OF COLUMNS
6 = 6 COLUMN

PIN LENGTH (P)
4 = 4.90 (0.46 PTH)
5 = 5.50 (0.46 PTH)
7 = 4.90 (0.39 PTH)
8 = 5.50 (0.39 PTH)

MATE POSITION
0 = 90 DEGREE
3 = 270 DEGREE



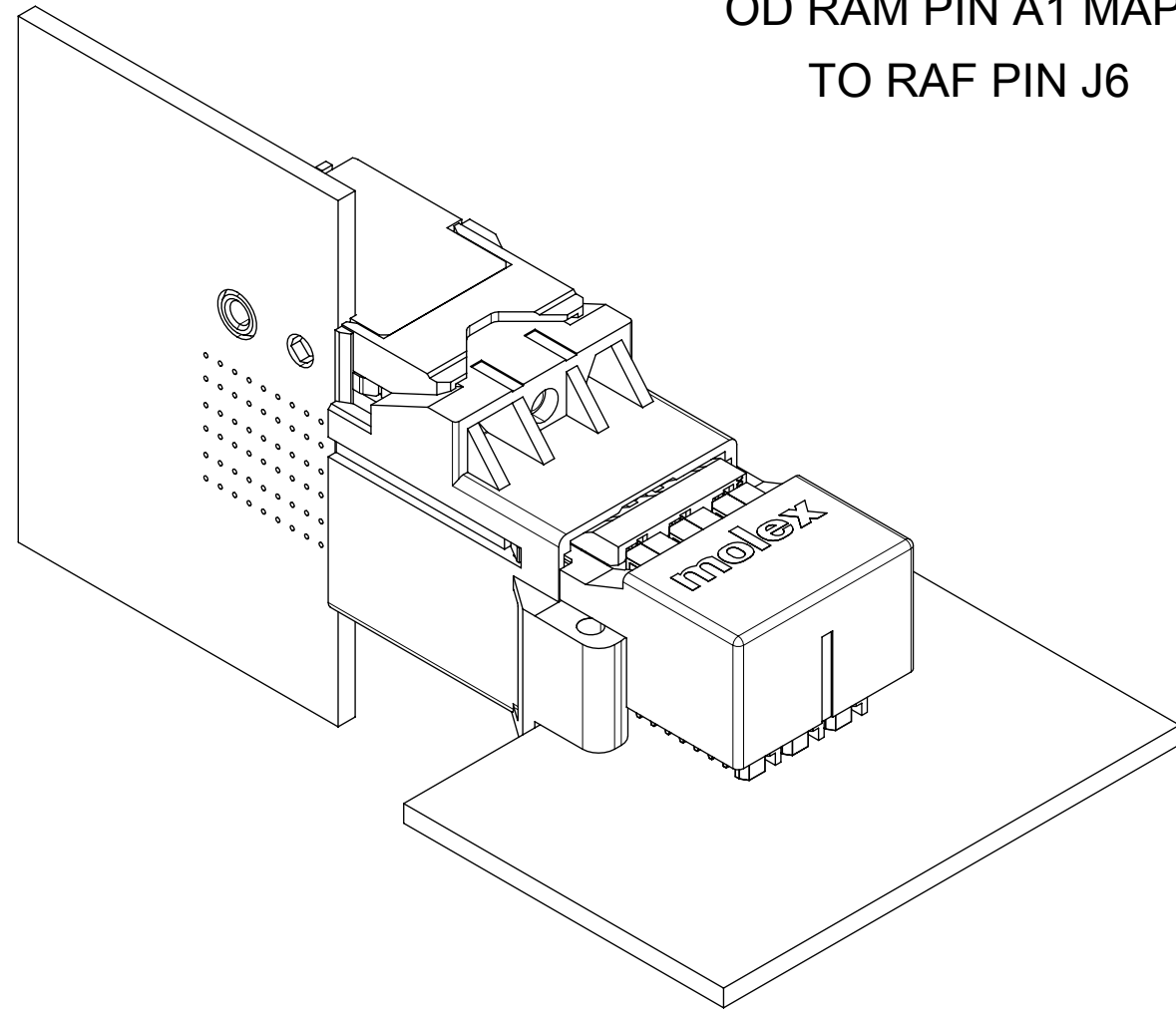
NOTES:

- MATERIALS: HOUSING - LIQUID CRYSTAL POLYMER (LCP)
GLASS-FILLED, UL94V-0
TERMINALS - HIGH PERFORMANCE COPPER ALLOY
- FINISH: 30μ MIN GOLD IN CONTACT AREA.
SELECTIVE TIN ON PCB TAILS.
NICKEL OVERALL.
- REFER TO MOLEX PRODUCT SPECIFICATION PS-76060-999
FOR PERFORMANCE SPECIFICATIONS AND ADDITIONAL PCB INFORMATION.
- THIS PART CONFORMS TO CLASS B REQUIREMENTS OF
COSMETIC SPEC PS-45499-002.
- PACKAGE PER: PK-70873-8018.
- SEE SHEET 3 FOR ORTHOGONAL PIN MAPPING.
- REFER TO SHEET 3 AND 4 FOR THE MATING RECEPTACLES.
- REFER TO MOLEX ROUTING GUIDE AS-76850-990 FOR ADDITIONAL PCB LAYOUT
AND ROUTING RECOMMENDATIONS.
- CONNECTORS ARE SUPPLIED WITH TWO 2-32 THREAD FORMING SCREWS.
- THESE DIMENSIONS REPRESENT THE AREA NEEDED TO ACCOMODATE CONNECTOR
INSERTION AND REPAIR ON THE PC BOARD. THIS IS REFERED TO AS THE
"CONNECTOR KEEP OUT ZONE" AND DOES NOT REPRESENT THE ACTUAL PERIMETER
OF THE CONNECTOR.
- MARKING: LOCATED APPROXIMATELY AS SHOWN, ON BOTTOM OR TOP HOUSING.
PART NUMBER AND DATE CODE.

FUNCTIONAL SYMBOLS	THIS DRAWING CONTAINS INFORMATION THAT IS PROPRIETARY TO MOLEX ELECTRONIC TECHNOLOGIES, LLC AND SHOULD NOT BE USED WITHOUT WRITTEN PERMISSION		CURRENT REV DESC: MIGRATED TO NX & CORRECTED 3 DIMENSIONS @ SHT_1 (F07, F06 & E06).	
	DIMENSION UNITS	SCALE		
$\nabla_A = 0$	mm	NTS		
$\nabla_C = 0$	GENERAL TOLERANCES (UNLESS SPECIFIED)			
	ANGULAR TOL $\pm 0.5^\circ$			
DIVISIONAL SYMBOLS	4 PLACES	\pm	EC NO: 655850	
	3 PLACES	\pm	DRWN: ABN	2018/08/29
	2 PLACES	± 0.13	CHK'D: SHONG	2021/02/18
	1 PLACE	± 0.25	APPR: SHONG	2021/02/18
0 PLACES	\pm	INITIAL REVISION:		
DRAFT WHERE APPLICABLE MUST REMAIN WITHIN DIMENSIONS		THIRD ANGLE PROJECTION	DRWING	SERIES
			C-SIZE	171573
DOCUMENT STATUS		P1	RELEASE DATE	2021/02/18 15:00:58
DOCUMENT NUMBER		CUSTOMER		SHEET NUMBER
SD-171573-0002		GENERAL MARKET		2 OF 4
DOC TYPE		DOC PART	REVISION	
PSD		001	C1	

ORTHO POSITION 90°

OD RAM PIN A1 MAPS
TO RAF PIN J6



REFER TO MOLEX SALES DRAWING SD-76860-002
FOR MATING RECEPTACLES.

ORTHO PIN MAPPING					
OPTION 90 (NEARSIDE - FAR SIDE)					
(A1-J6)	A2-H6	(A3-F6)	A4-E6	(A5-C6)	A6-B6
B1-J5	B2-G6	B3-F5	B4-D6	B5-C5	B6-A6
C1-H5	(C2-G5)	C3-E5	(C4-D5)	C5-B5	(C6-A5)
(D1-J4)	D2-H4	(D3-F4)	D4-E4	(D5-C4)	D6-B4
E1-J3	E2-G4	E3-F3	E4-D4	E5-C3	E6-A4
F1-H3	(F2-G3)	F3-E3	(F4-D3)	F5-B3	(F6-A3)
(G1-J2)	G2-H2	(G3-F2)	G4-E2	(G5-C2)	G6-B2
H1-J1	H2-G2	H3-F1	H4-D2	H5-C1	H6-A2
J1-H1	(J2-G1)	J3-E1	(J4-D1)	J5-B1	(J6-A1)

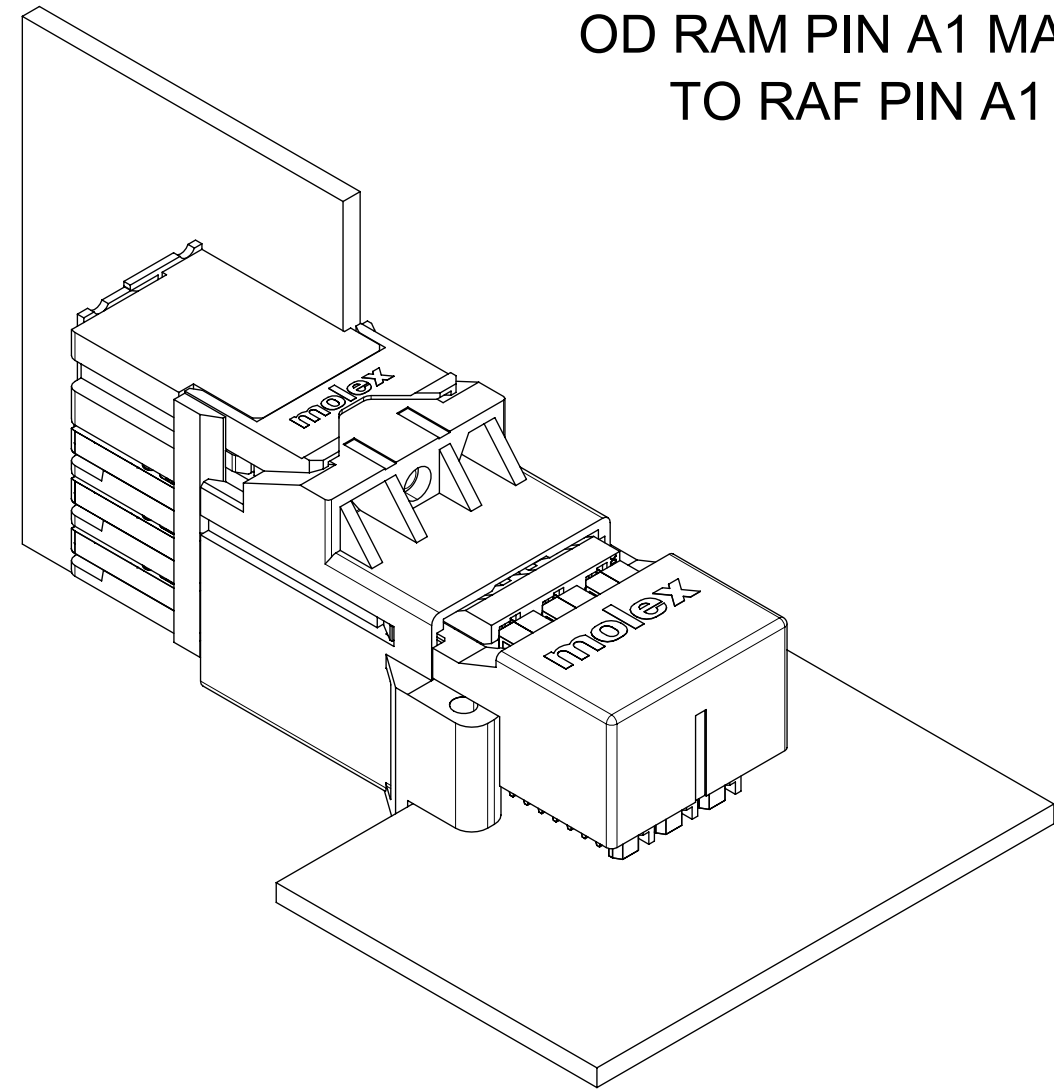
NOTE: PINOUTS SHOWN IN BALLOONS ARE GROUNDS.
GROUND PATHS ARE NOT DISCRETE CIRCUITS.

MATERIAL NUMBER	# OF COLUMNS	# OF DIFF PAIR	MATE POSITION	DIM P	PTH Ø
171573-7604	6	18	90	4.90	0.46±0.05
171573-7605	6	18	90	5.50	0.46±0.05
171573-7607	6	18	90	4.90	0.39±0.05
171573-7608	6	18	90	5.50	0.39±0.05

FUNCTIONAL SYMBOLS $\nabla_A = 0$ $\nabla_C = 0$ $\nabla_P = 0$ DIVISIONAL SYMBOLS 3 PLACES ± 2 PLACES ± 0.13 1 PLACE ± 0.25 0 PLACES ±	THIS DRAWING CONTAINS INFORMATION THAT IS PROPRIETARY TO MOLEX ELECTRONIC TECHNOLOGIES, LLC AND SHOULD NOT BE USED WITHOUT WRITTEN PERMISSION DIMENSION UNITS: mm SCALE: NTS		CURRENT REV DESC: MIGRATED TO NX & CORRECTED 3 DIMENSIONS @ SHT_1 (F07, F06 & E06). EC NO: 655850 DRWN: ABN 2018/08/29 CHK'D: SHONG 2021/02/18 APPR: SHONG 2021/02/18		 IMPACT ORTHOGONAL DIRECT 3 PAIR RAM 90 & 270 ASSY TOP GUIDED SALES DRAWING PRODUCT CUSTOMER DRAWING		
	GENERAL TOLERANCES (UNLESS SPECIFIED) ANGULAR TOL ± 0.5°		INITIAL REVISION: DRWN: JMENDOZA 2012/12/14 APPR: JMENDOZA 2012/12/14			DOCUMENT NUMBER: SD-171573-0002	
	DRAFT WHERE APPLICABLE MUST REMAIN WITHIN DIMENSIONS		THIRD ANGLE PROJECTION	DRAWING: C-SIZE		SERIES: 171573	MATERIAL NUMBER: SEE CHART CUSTOMER: GENERAL MARKET
	DOCUMENT STATUS: P1 RELEASE DATE: 2021/02/18 15:00:58		SHEET NUMBER: 3 OF 4			DOC TYPE: PSD DOC PART: 001 REVISION: C1	

ORTHO POSITION 270°

OD RAM PIN A1 MAPS
TO RAF PIN A1



REFER TO MOLEX SALES DRAWING SD-76860-004
FOR MATING RECEPTACLES.

ORTHO PIN MAPPING					
OPTION 270 (NEARSIDE - FARSIDE)					
A1-A1	A2-B1	A3-D1	A4-E1	A5-G1	A6-H1
B1-A2	B2-C1	B3-D2	B4-F1	B5-G2	B6-J1
C1-B2	C2-C2	C3-E2	C4-F2	C5-H2	C6-J2
D1-A3	D2-B3	D3-D3	D4-E3	D5-G3	D6-H3
E1-A4	E2-C3	E3-D4	E4-F3	E5-G4	E6-J3
F1-B4	F2-C4	F3-E4	F4-F4	F5-H4	F6-J4
G1-A5	G2-B5	G3-D5	G4-E5	G5-G5	G6-H5
H1-A6	H2-C5	H3-D6	H4-F5	H5-G6	H6-J5
J1-B6	J2-C6	J3-E6	J4-F6	J5-H6	J6-J6

NOTE: PINOUTS SHOWN IN BALLOONS ARE GROUNDS.
GROUND PATHS ARE NOT DISCRETE CIRCUITS.

MATERIAL NUMBER	# OF COLUMNS	# OF DIFF PAIR	MATE POSITION	DIM P	PTH Ø
171573-7634	6	18	270	4.90	0.46±0.05
171573-7635	6	18	270	5.50	0.46±0.05
171573-7637	6	18	270	4.90	0.39±0.05
171573-7638	6	18	270	5.50	0.39±0.05

FUNCTIONAL SYMBOLS FA = 0 EC = 0 EP = 0 DIVISIONAL SYMBOLS	THIS DRAWING CONTAINS INFORMATION THAT IS PROPRIETARY TO MOLEX ELECTRONIC TECHNOLOGIES, LLC AND SHOULD NOT BE USED WITHOUT WRITTEN PERMISSION DIMENSION UNITS: mm SCALE: NTS		CURRENT REV DESC: MIGRATED TO NX & CORRECTED 3 DIMENSIONS @ SHT_1 (F07, F06 & E06). EC NO: 655850 DRWN: ABN 2018/08/29 CHK'D: SHONG 2021/02/18 APPR: SHONG 2021/02/18		 IMPACT ORTHOGONAL DIRECT 3 PAIR RAM 90 & 270 ASSY TOP GUIDED SALES DRAWING PRODUCT CUSTOMER DRAWING	
	GENERAL TOLERANCES (UNLESS SPECIFIED) ANGULAR TOL ± 0.5° 4 PLACES ±		INITIAL REVISION: DRWN: JMENDOZA 2012/12/14 APPR: JMENDOZA 2012/12/14			DOCUMENT NUMBER: SD-171573-0002
	3 PLACES ± 2 PLACES ± 0.13 1 PLACE ± 0.25 0 PLACES ±		THIRD ANGLE PROJECTION 			DOC TYPE: PSD DOC PART: 001 REVISION: C1
	DRAFT WHERE APPLICABLE MUST REMAIN WITHIN DIMENSIONS		DRAWING: C-SIZE	SERIES: 171573		MATERIAL NUMBER: SEE CHART CUSTOMER: GENERAL MARKET SHEET NUMBER: 4 OF 4