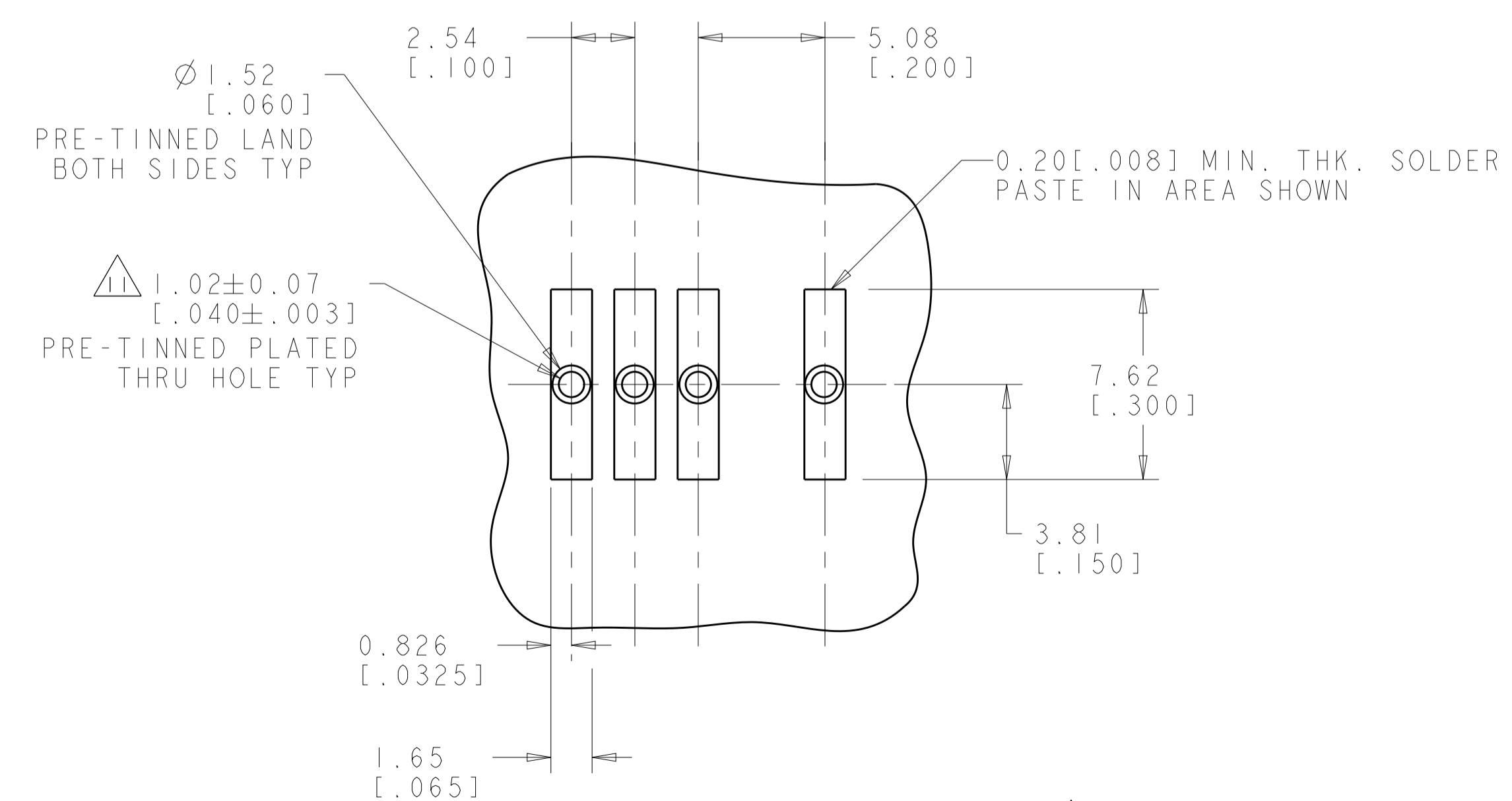
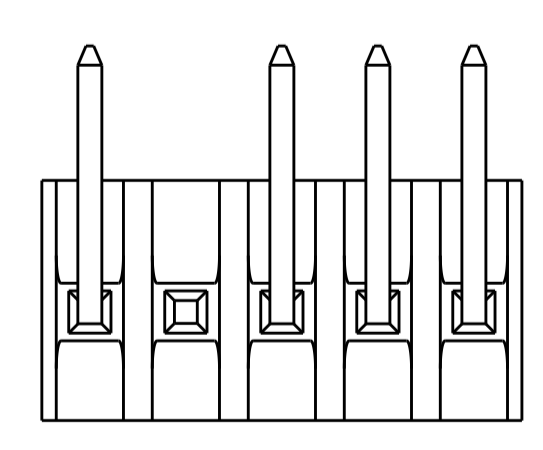
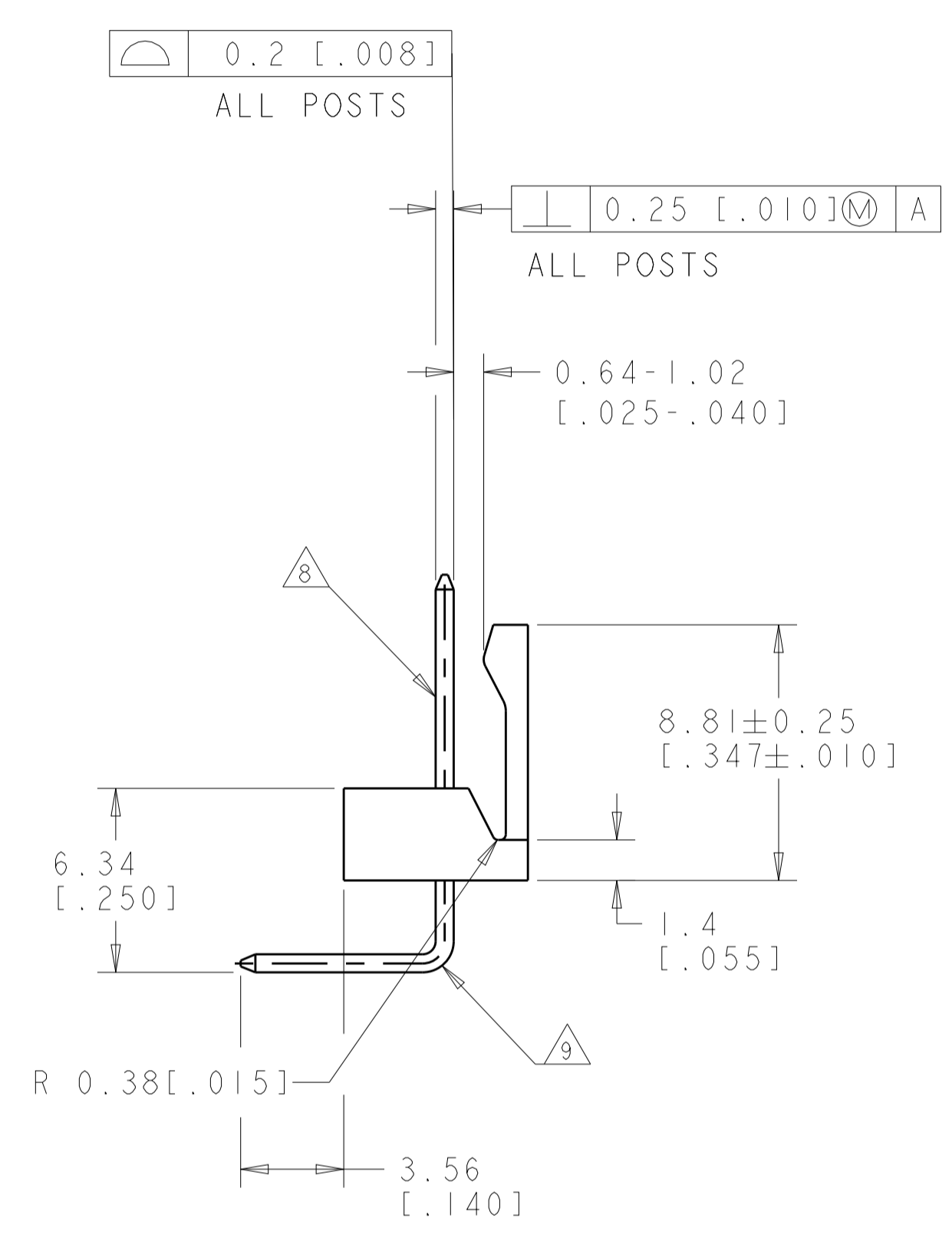
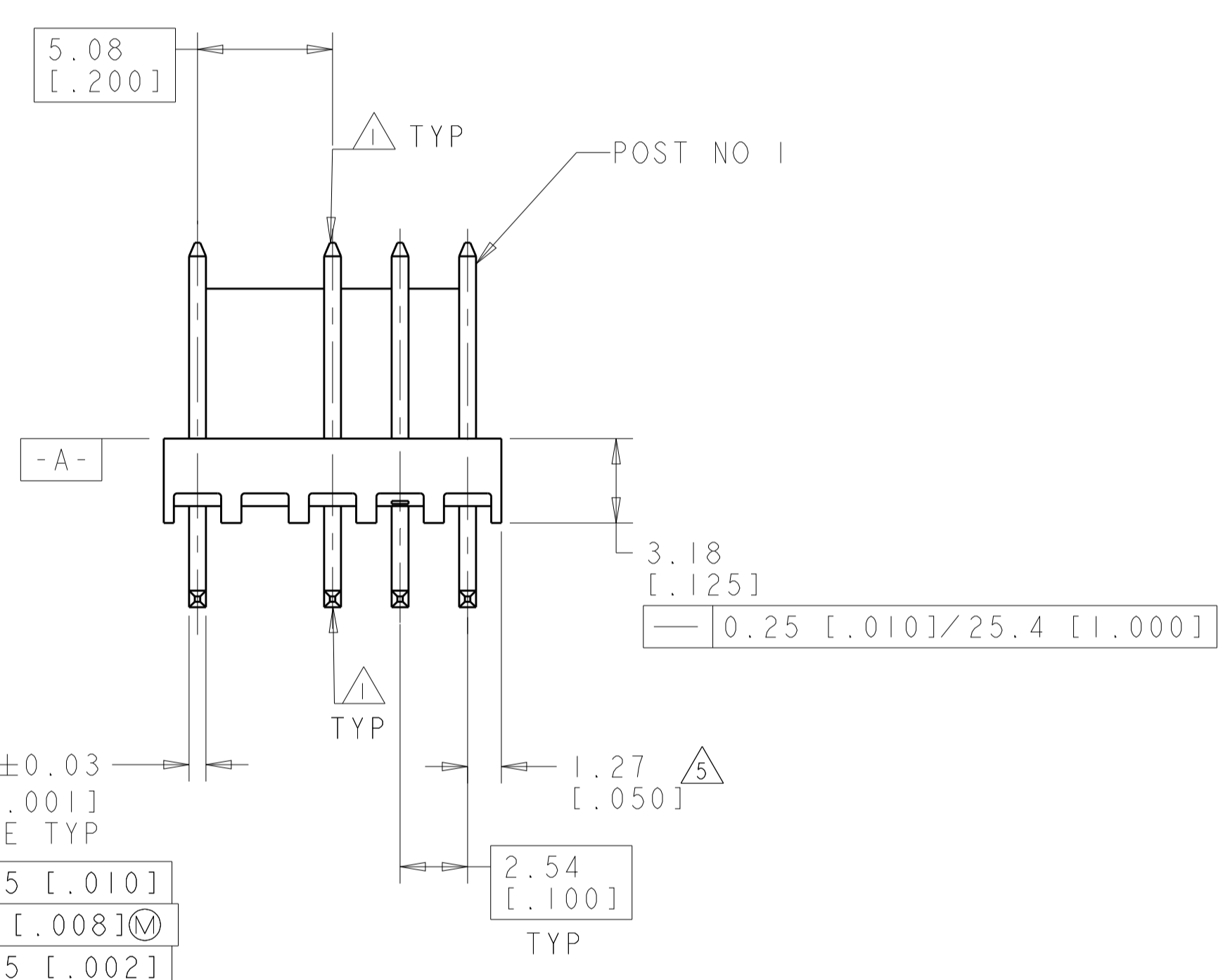
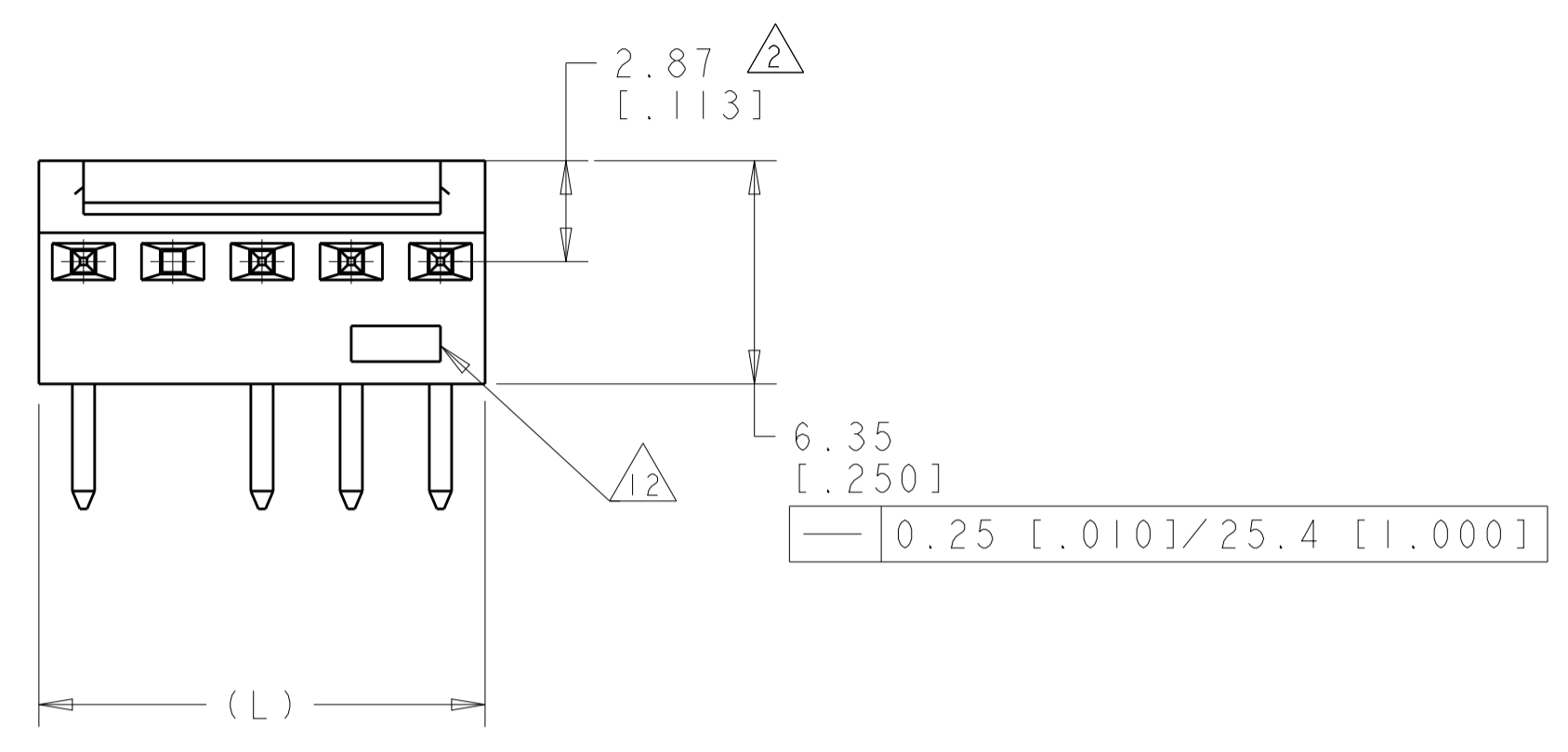


LOC	DIST	REVISIONS			
		REV	DATE	BY	APPV
CM	00	D1	REVISD PER ECR-18-004355	18JUN2018	BDA SG



RECOMMENDED MOUNTING HOLE PATTERN FOR 1.57±0.20 [.062±.008] THICK P.C. BOARD

- 1 POST WITHSTAND 13 NEWTONS (3 LBS) MIN AXIAL FORCE IN DIRECTION SHOWN WITHOUT DISLODGING.
- 2 MEASURED AT [-A-].
- 3 PARTS COMPLY WITH SOLDERABILITY SPEC 109-11-2.
- 4 MATERIAL: HOUSING: NYLON, 4/6, HIGH TEMP, BLACK. POST: COPPER ALLOY (SEE NOTES 8 & 9 FOR PLATING.)
- 5 COORDINATE DIMENSION APPLIES FROM CENTER OF ACTUAL FEATURE.
- 6 POSTS TO BE MEASURED WHEN STRIP HELD FLAT.
- 7 DIMENSIONS IN BRACKETS ARE IN INCHES.
- 8 PLATING: GOLD PLATE AREA, 0.00038 [.000015] GOLD OR 0.00008 [.000003] MIN GOLD FLASH OVER 0.00030 [.000012] PALLADIUM NICKEL PER TE CONNECTIVITY'S DISCRETION, ALL SIDES, OVER NICKEL UNDERPLATE, 0.00127 [.000050] MIN., ALL SIDES AND ENTIRE LENGTH OF POST.
- 9 PLATING: MATTE TIN PLATE AREA, 0.00381-0.00889 [.000150-.000350] THICK, ALL FOUR SIDES 3.18 [.125].
- 10 TOLERANCES APPLY TO SOLDER SIDE OF BOARD.
- 11 ONE HOLE MAY BE UNDERSIZED 0.81-0.90 [.032-.035] DIAMETER FOR ASSEMBLY RETENTION DURING PROCESSING.
- 12 TE LOGO, UL, AND CSA TRADEMARKS TO APPEAR ON THIS SURFACE.

YES	4	12.70 [.500]	5	1744054-1
LEAD FREE	OMITTED POST(S) NO.	L	NO OF POSN	PART NO

THIS DRAWING IS A CONTROLLED DOCUMENT.

OWN: R. WHITAKER 13APR04
 CHK: D. BOSSI 13APR04
 APVD: D. BOSSI 13APR04

STE TE Connectivity

NAME: MTA-100 HEADER ASSY, HIGH TEMPERATURE
 PRODUCT SPEC: FRICTION LOCK, .025 SQUARE, RIGHT
 APPLICATION SPEC: ANGLE, .000015 GOLD, OMIT POST 4

MATERIAL: 4
 FINISH: 4

SIZE: A1
 CAGE CODE: 1744054
 DRAWING NO: 1744054

CUSTOMER DRAWING SCALE: 5:1 SHEET 1 OF 1 REV: D1