

注記:
NOTES:

1. 材料及び仕上げ(めっき仕様): TABLE 1, TABLE2 参照
MATERIAL AND FINISHES (PLATING SPECIFICATION): SEE TABLE 1, TABLE2.
2. 製品仕様書、コネクタ取扱説明書、適合嵌合相手、適合リテーナーはSHEET 5を
ご参照下さい。
PLEASE REFER TO SHEET 5 FOR PRODUCT SPECIFICATION,
APPLICATION SPECIFICATION, MATE WITH AND APPLICABLE RETAINER.
3. 端子テール部 及び ネイルの平坦度: 0.1 MAXIMUM
TAIL AND NAIL COPLANARITY TO BE 0.1 MAXIMUM
4. 偶数極に適合
APPLY TO EVEN CIRCUIT
5. 発注番号: SHEET 5 参照
ORDER NUMBER: PLEASE REFER TO SHEET 5

205957**7*

極数 CIRCUIT SIZE	番号 NO.	ハウジングカラー HOUSING COLOR
	0	ナチュラル(白) NATURAL(WHITE)
	1	黒 BLACK

TABLE 1

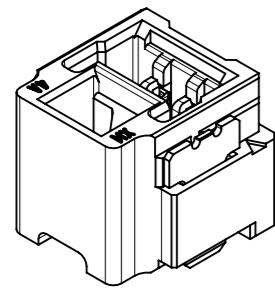
番号 NO.	部品 PART	材質 MATERIAL
①	ハウジング HOUSING	ポリアミド(PA)、ガラス充填、UL94 V-0、色: SHEET 5 参照 POLYAMIDE (PA), GLASS FILLED, UL94 V-0, COLOR: SEE SHEET 5
②	ターミナル TERMINAL	黄銅 BRASS
		錫ビスマスめっき TIN-BISMUTH PLATING: 1.0 MICROMETER MINIMUM
		ニッケルめっき(下地) NICKEL (UNDER-PLATING): 1.0 MICROMETER MINIMUM
③	ネイル NAIL	黄銅 BRASS
		錫めっき MATTE TIN PLATING: 1.0 MICROMETER MINIMUM
		ニッケルめっき(下地) NICKEL (UNDER-PLATING): 1.0 MICROMETER MINIMUM
④	カバーテープ COVER TAPE	ポリイミド POLYIMIDE

12	22.62	18.75	23.25	16
	21.37	17.5	22	15
	20.12	16.25	20.75	14
	18.87	15	19.5	13
	17.62	13.75	18.25	12
	16.37	12.5	17	11
10	15.12	11.25	15.75	10
	13.87	10	14.5	9
	12.62	8.75	13.25	8
8	11.37	7.5	12	7
	10.12	6.25	10.75	6
	8.87	5	9.5	5
7	7.62	3.75	8.25	4
5	6.37	2.5	7	3
	5.12	1.25	5.75	2
D	C	B	A	極数 CIRCUIT SIZE

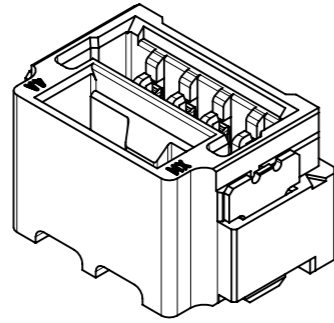
THIS DRAWING CONTAINS INFORMATION THAT IS PROPRIETARY TO MOLEX ELECTRONIC TECHNOLOGIES, LLC AND SHOULD NOT BE USED WITHOUT WRITTEN PERMISSION

DIMENSION UNITS mm	SCALE NTS	CURRENT REV DESC:			
GENERAL TOLERANCES (UNLESS SPECIFIED)		EC NO: 736271			
ANGULAR TOL ± 3.0°	4 PLACES ± 0.2	DRWN: SOKUMURA01	PRODUCT CUSTOMER DRAWING		
3 PLACES ± 0.2	2 PLACES ± 0.2	CHK'D: SAKIYAMA	DOCUMENT NUMBER		
2 PLACES ± 0.2	1 PLACE ± 0.2	APPR: AIDA	DOC TYPE DOC PART REVISION		
1 PLACE ± 0.2	0 PLACES ± 0.2	INITIAL REVISION:	2059573000-SD		
DRAFT WHERE APPLICABLE MUST REMAIN WITHIN DIMENSIONS		DRWN: TAKAIKE	PSD 000 D		
THIRD ANGLE PROJECTION		APPR: AIDA	SHEET NUMBER		
DRAWING		SERIES	SEE SHEET 5		
A3-SIZE		205957	GENERAL		
MATERIAL NUMBER		CUSTOMER	1 OF 5		

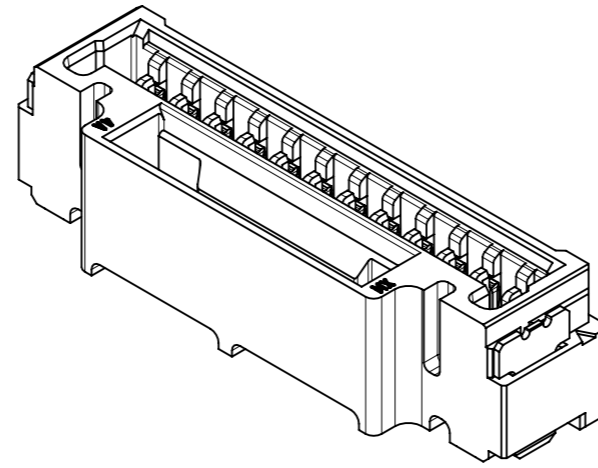
製品形状
PRODUCT SHAPE



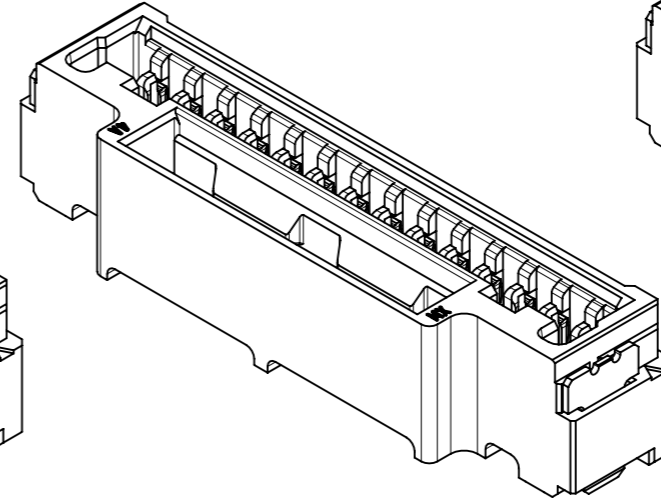
2-3極
2-3 CIRCUIT



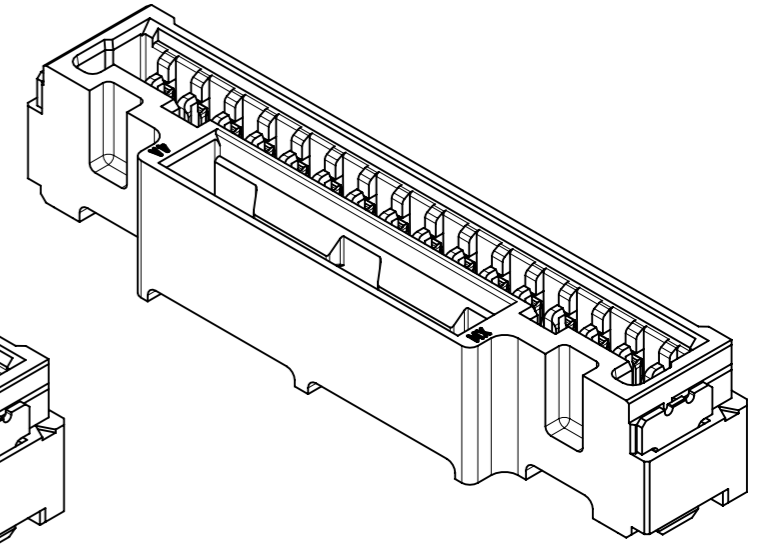
4-11極
4-11 CIRCUIT



12-13極
12-13 CIRCUIT

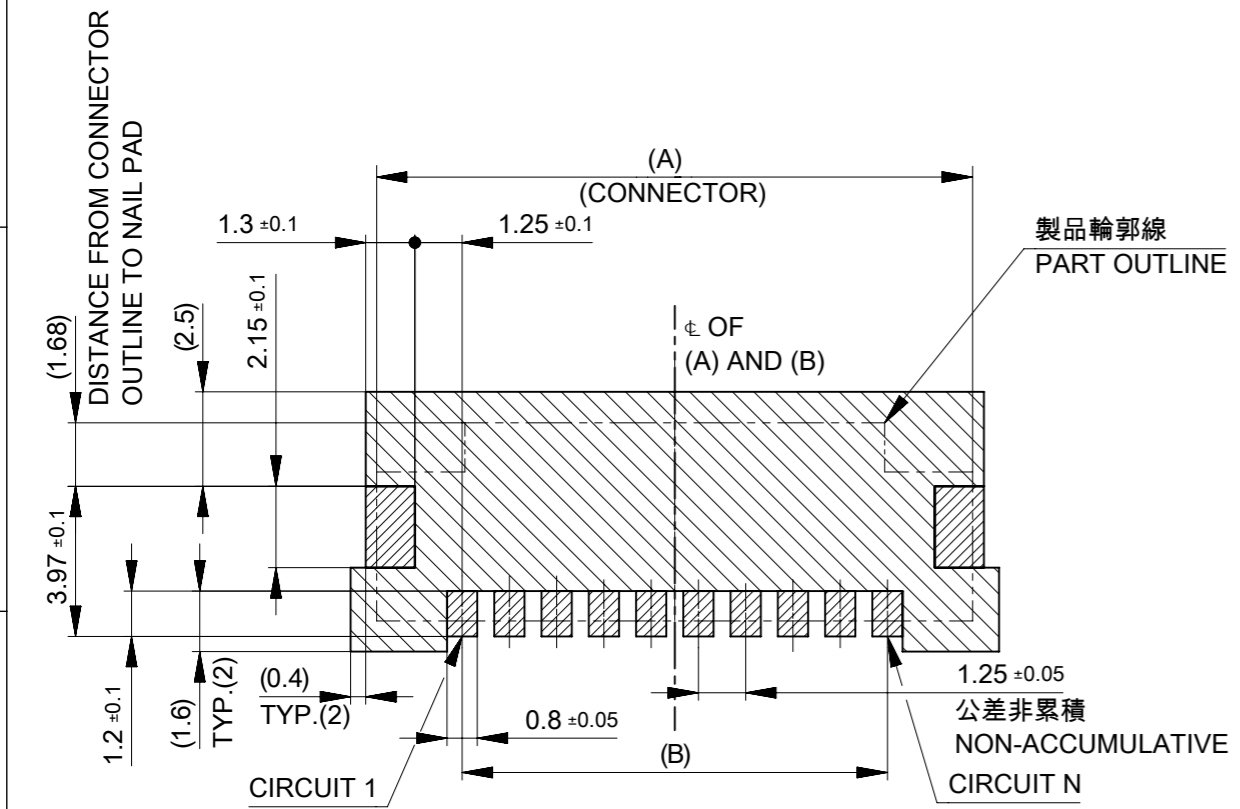


14極
14 CIRCUIT



15-16極
15-16 CIRCUIT

基板パターンレイアウト
PCB PATTERN LAYOUT



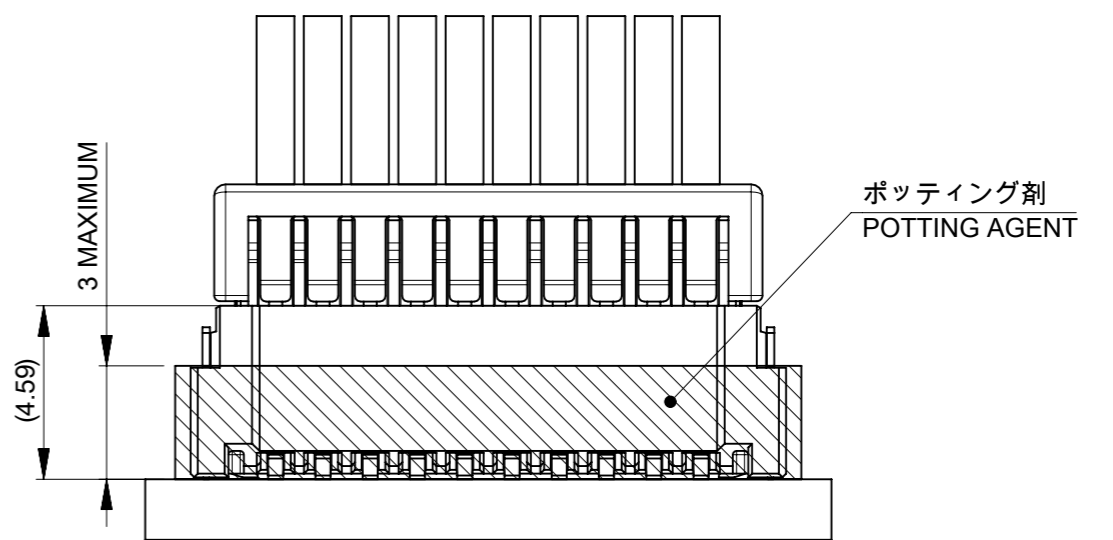
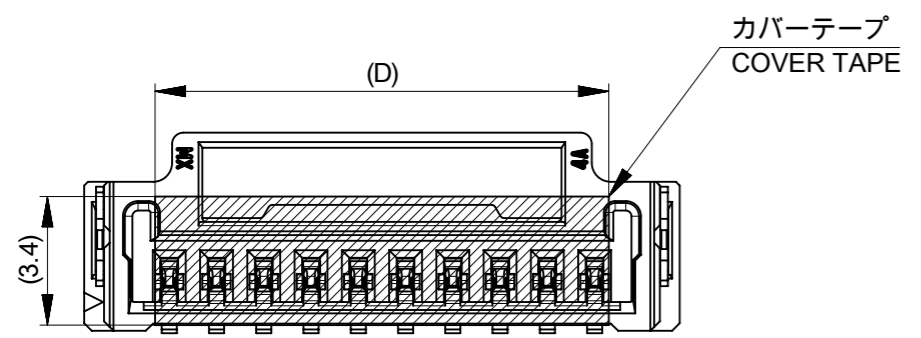
- 基板パターンレイアウト (参考)
 (参考: 基板厚 1.6mm, メタルマスク厚さ 0.15mm, マスク開口率 100%)
 RECOMMEND PCB LAYOUT : COMPONENT SIDE
 (REFERENCE : PCB THICKNESS 1.6mm, STENCIL THICKNESS 0.15mm, APERTURE RATIO 100%)
- パターン禁止エリア
 RESTRICTED AREA
 NO PCB COMPONENTS ALLOWED

THIS DRAWING CONTAINS INFORMATION THAT IS PROPRIETARY TO MOLEX ELECTRONIC TECHNOLOGIES, LLC AND SHOULD NOT BE USED WITHOUT WRITTEN PERMISSION															
DIMENSION UNITS		SCALE		CURRENT REV DESC:											
mm		NTS		 MICRO-LOCK PLUS 1.25 W/B SINGLE ROW VERTICAL SMT PLUG ASSEMBLY FOR POTTING PRODUCT CUSTOMER DRAWING											
GENERAL TOLERANCES (UNLESS SPECIFIED)										EC NO: 736271		2022/12/27		DOCUMENT NUMBER	
ANGULAR TOL ± 3.0 °										DRWN: SOKUMURA01		2023/02/16		DOC TYPE DOC PART REVISION	
4 PLACES ± 0.2		3 PLACES ± 0.2								CHK'D: SAKIYAMA		2019/08/01		2059573000-SD	
2 PLACES ± 0.2		1 PLACE ± 0.2								APPR: AIDA		2019/08/20		PSD 000 D	
0 PLACES ± 0.2		INITIAL REVISION:								DRWN: TAKAIKE		2019/08/01		MATERIAL NUMBER	
DRAFT WHERE APPLICABLE MUST REMAIN WITHIN DIMENSIONS				THIRD ANGLE PROJECTION		DRAWING		SERIES							
						A3-SIZE		205957							
				SEE SHEET 5		GENERAL		SHEET NUMBER							
								2 OF 5							

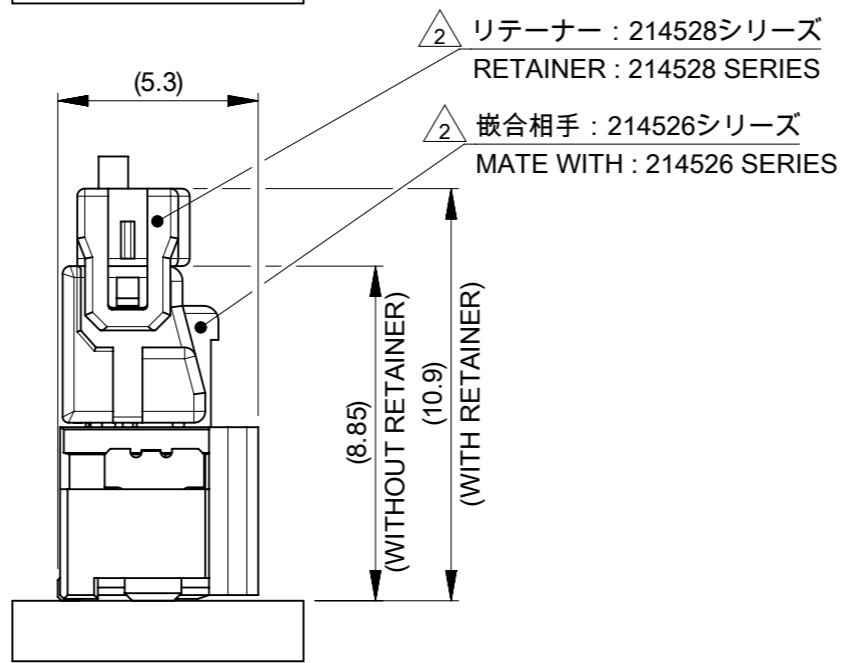
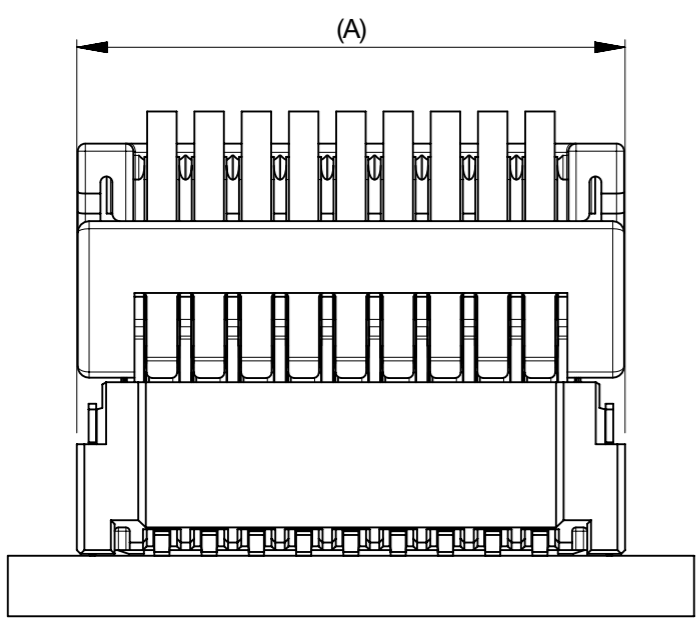
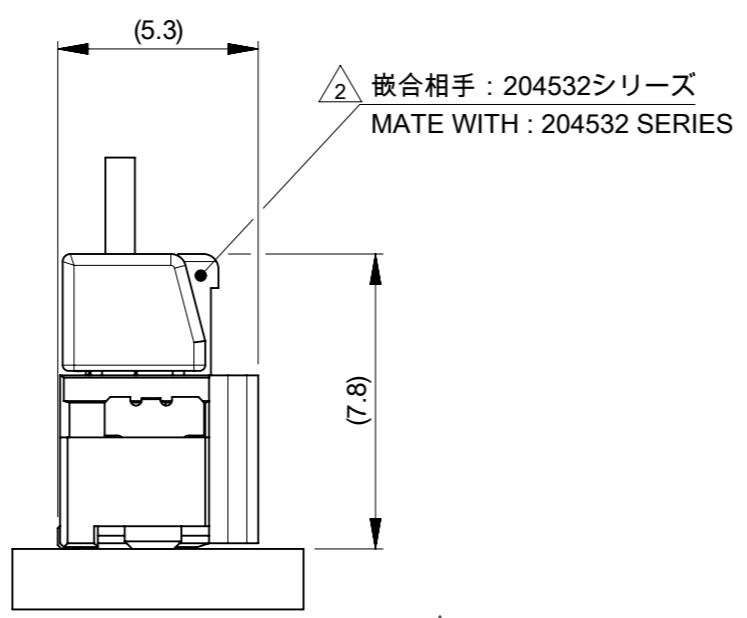
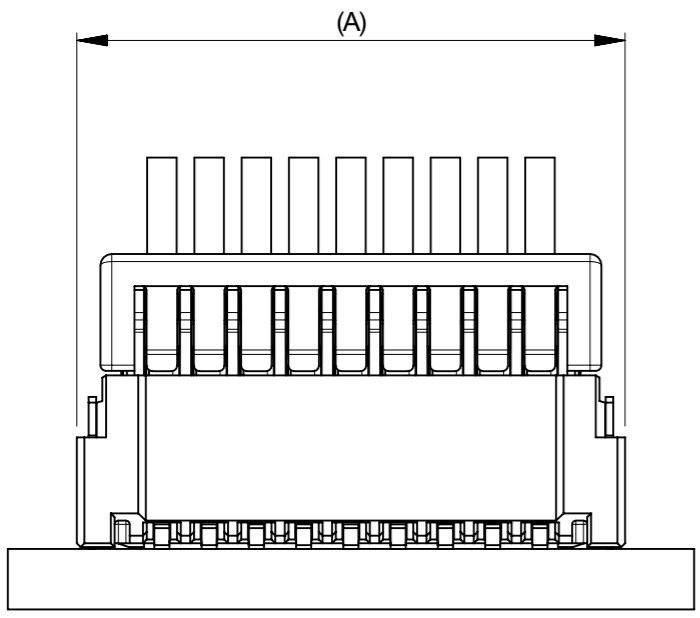
10 9 8 7 6 5 4 3 2 1

吸着エリア
SUCTION AREA

ポッティング高さ
POTTING HEIGHT

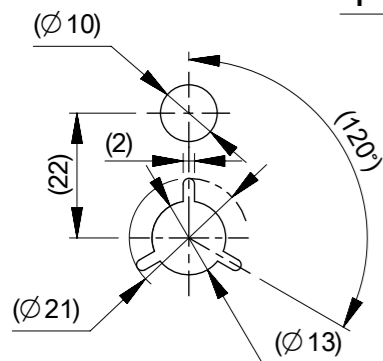
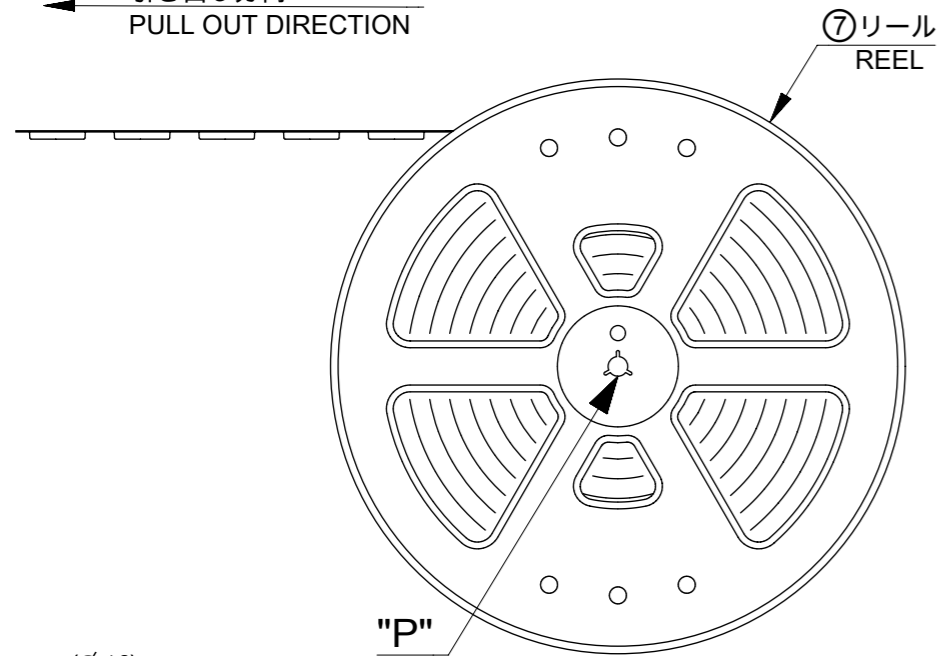


嵌合状態図
MATED CONNECTORS



THIS DRAWING CONTAINS INFORMATION THAT IS PROPRIETARY TO MOLEX ELECTRONIC TECHNOLOGIES, LLC AND SHOULD NOT BE USED WITHOUT WRITTEN PERMISSION													
DIMENSION UNITS		SCALE		CURRENT REV DESC:									
mm		NTS											
GENERAL TOLERANCES (UNLESS SPECIFIED)				<p>molex</p> <p>MICRO-LOCK PLUS 1.25 W/B SINGLE ROW VERTICAL SMT PLUG ASSEMBLY FOR POTTING</p> <p>PRODUCT CUSTOMER DRAWING</p> <p>DOCUMENT NUMBER: 2059573000-SD DOC TYPE: PSD DOC PART: 000 REVISION: D</p>									
ANGULAR TOL ± 3.0 °													
4 PLACES ± 0.2		EC NO: 736271								DRWN: SOKUMURA01		2022/12/27	
3 PLACES ± 0.2		CHK'D: SAKIYAMA								APPR: AIDA		2023/02/16	
2 PLACES ± 0.2		INITIAL REVISION:								DRWN: TAKAIKE		2019/08/01	
1 PLACE ± 0.2		APPR: AIDA								2019/08/20			
0 PLACES ± 0.2													
DRAFT WHERE APPLICABLE MUST REMAIN WITHIN DIMENSIONS				THIRD ANGLE PROJECTION		DRAWING		SERIES					
				A3-SIZE		205957		MATERIAL NUMBER					
				SEE SHEET 5		GENERAL		CUSTOMER					
								SHEET NUMBER					
								3 OF 5					

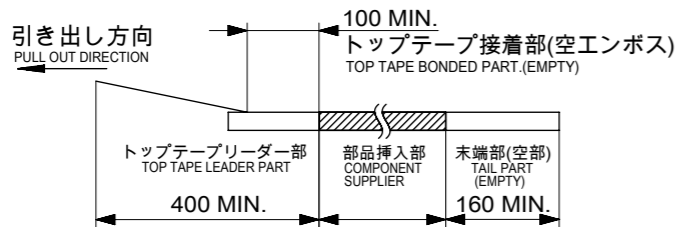
引き出し方向
PULL OUT DIRECTION



DETAIL "P"

注記 NOTE

- 6. 梱包数量 : 1000個/リール
NUMBER OF CONNECTORS : 1000 PCS/REEL
- 7. リードテープ長さ
LEAD TAPE LENGTH.



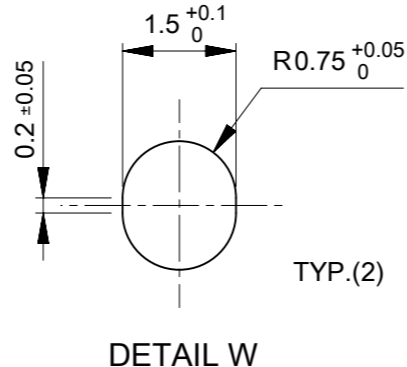
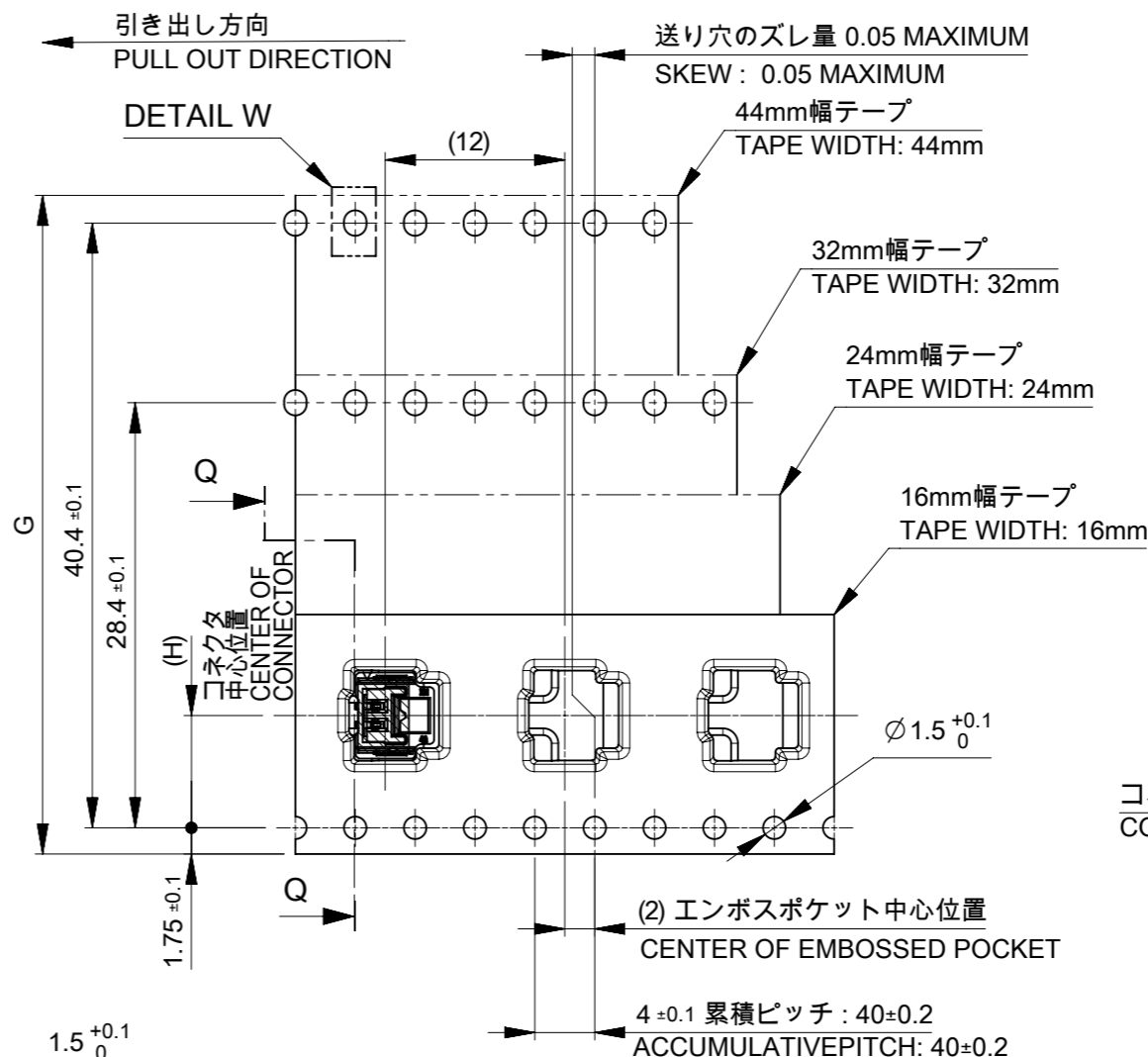
- 8. トップテープの剥離強度はIEC60286-3に準拠
TOP TAPE PEELING FORCE IS DEFINED BY IEC60286-3.

TABLE 2

番号 NO.	部品 PART	材質 MATERIAL
⑤	エンボステープ EMBOSSSED TAPE	ポリスチレン(PS)、その他 POLYSTYRENE(PS), etc
⑥	トップテープ TOP TAPE	ポリエチレン(PE)、その他 POLYETHYLENE(PE), etc
⑦	リール REEL	ポリスチレン(PS) <リサイクル材を含む> POLYSTYRENE(PS) <RECYCLE MATERIAL CONTAINED >

DOCUMENT STATUS P1 RELEASE DATE 2023/02/16 15:22:34

引き出し方向
PULL OUT DIRECTION



DETAIL W

送り穴のズレ量 0.05 MAXIMUM
SKEW : 0.05 MAXIMUM

44mm幅テープ
TAPE WIDTH: 44mm

32mm幅テープ
TAPE WIDTH: 32mm

24mm幅テープ
TAPE WIDTH: 24mm

16mm幅テープ
TAPE WIDTH: 16mm

カバーテープ
COVER TAPE

⑥ トップテープ
TOP TAPE

コネクタ
CONNECTOR

⑤ エンボステープ
EMBOSSSED TAPE

SECTION Q-Q

20.2	44±0.3	45.4	49.4	16
				15
				14
				13
14.2	32±0.3	33.4	37.4	12
				11
				10
				9
				8
11.5	24 ^{+0.3} _{-0.1}	25.4	29.4	7
				6
				5
				4
7.5	16 ^{+0.3} _{-0.1}	17.4	21.4	3
				2
H	G	F	E	極数 CIRCUIT SIZE

THIS DRAWING CONTAINS INFORMATION THAT IS PROPRIETARY TO MOLEX ELECTRONIC TECHNOLOGIES, LLC AND SHOULD NOT BE USED WITHOUT WRITTEN PERMISSION

DIMENSION UNITS: mm SCALE: NTS

CURRENT REV DESC:

molex

MICRO-LOCK PLUS 1.25 W/B
SINGLE ROW VERTICAL SMT PLUG ASSEMBLY
FOR POTTING

PRODUCT CUSTOMER DRAWING

EC NO: 736271
DRWN: SOKUMURA01 2022/12/27
CHK'D: SAKIYAMA 2023/02/16
APPR: AIDA 2023/02/16

INITIAL REVISION:
DRWN: TAKAIKE 2019/08/01
APPR: AIDA 2019/08/20

DOCUMENT NUMBER: 2059573000-SD
DOC TYPE: PSD
DOC PART: 000
REVISION: D

DRAFT WHERE APPLICABLE MUST REMAIN WITHIN DIMENSIONS

THIRD ANGLE PROJECTION

DRAWING: A3-SIZE
SERIES: 205957


MATERIAL NUMBER: SEE SHEET 5
CUSTOMER: GENERAL
SHEET NUMBER: 4 OF 5

△ 2 適合製品及び各種仕様書 APPLICABLE PRODUCTS AND VARIOUS SPECIFICATIONS

梱包仕様書 PACKAGING SPECIFICATION		2059579200-SPK PS 200	
適合嵌合相手 MATE WITH	シリーズ番号 SERIES NUMBER	204532	214526
	リテーナー対応 RETAINER APPLICABLE	NOT COMPLIANT	COMPLIANT
適合リテーナーシリーズ番号 APPLICABLE RETAINER SERIES NUMBER		-	214528
製品仕様書 PRODUCT SPECIFICATION		2045320001-PS PS 000	2145260001-PS PS 000
コネクタ取扱説明書 APPLICATION SPECIFICATION		5055650000-AS PS 000	

△ 5 205957**7* 発注番号一覧 ORDER NUMBER LIST

BLACK	NATURAL (WHITE)	HOUSING COLOR
2059571671	2059571670	16
2059571571	2059571570	15
2059571471	2059571470	14
2059571371	2059571370	13
2059571271	2059571270	12
2059571171	2059571170	11
2059571071	2059571070	10
2059570971	2059570970	9
2059570871	2059570870	8
2059570771	2059570770	7
2059570671	2059570670	6
2059570571	2059570570	5
2059570471	2059570470	4
2059570371	2059570370	3
2059570271	2059570270	2
発注番号 ORDER NUMBER		極数 CIRCUIT SIZE
梱包形態 : エンボステープ、リール PACKAGING STYLE : EMBOSSED TAPE AND REEL		

THIS DRAWING CONTAINS INFORMATION THAT IS PROPRIETARY TO MOLEX ELECTRONIC TECHNOLOGIES, LLC AND SHOULD NOT BE USED WITHOUT WRITTEN PERMISSION										
DIMENSION UNITS	SCALE	CURRENT REV DESC:					 MICRO-LOCK PLUS 1.25 W/B SINGLE ROW VERTICAL SMT PLUG ASSEMBLY FOR POTTING			
mm	NTS									
GENERAL TOLERANCES (UNLESS SPECIFIED)		EC NO: 736271					PRODUCT CUSTOMER DRAWING DOCUMENT NUMBER: 2059573000-SD DOC TYPE: PSD DOC PART: 000 REVISION: D			
ANGULAR TOL ± 3.0 °		DRWN: SOKUMURA01 2022/12/27								
4 PLACES ± 0.2	CHK'D: SAKIYAMA 2023/02/16					DRAFT WHERE APPLICABLE MUST REMAIN WITHIN DIMENSIONS				
3 PLACES ± 0.2	APPR: AIDA 2023/02/16									
2 PLACES ± 0.2	INITIAL REVISION:					THIRD ANGLE PROJECTION DRAWING: A3-SIZE SERIES: 205957 MATERIAL NUMBER: SEE CHART CUSTOMER: GENERAL SHEET NUMBER: 5 OF 5				
1 PLACE ± 0.2	DRWN: TAKAIKE 2019/08/01									
0 PLACES ± 0.2	APPR: AIDA 2019/08/20									

DOCUMENT STATUS	P1	RELEASE DATE	2023/02/16	15:22:34
-----------------	----	--------------	------------	----------