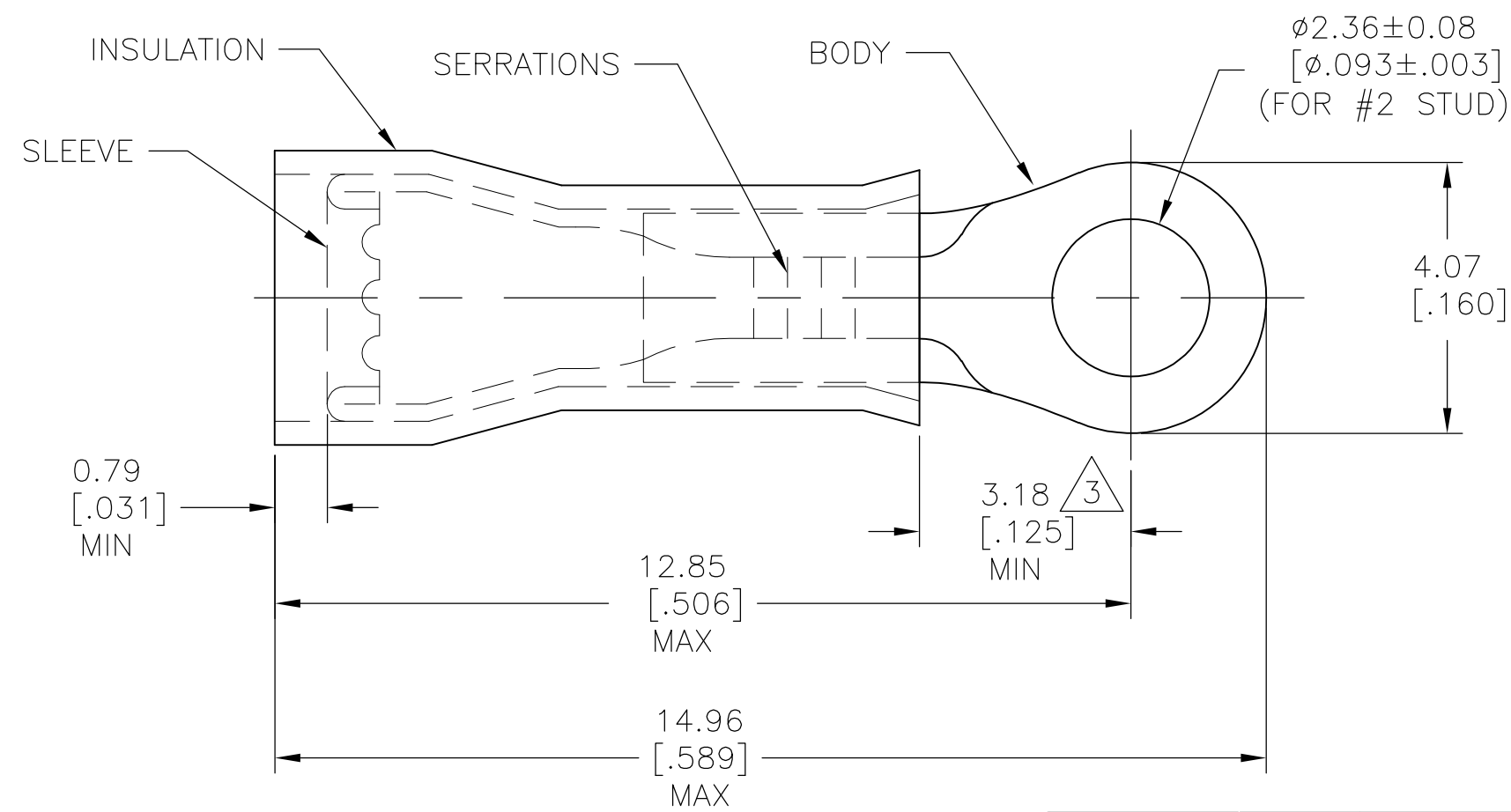


THIS DRAWING IS UNPUBLISHED. RELEASED FOR PUBLICATION  
 © COPYRIGHT BY TYCO ELECTRONICS CORPORATION. ALL INTERNATIONAL RIGHTS RESERVED.

LOC	DIST	REVISIONS			
P	LTR	DESCRIPTION	DATE	DWN	APVD
G	14	D1	REVISED PER ECR-09-017960	27AUG09	HMR JR

- 1 FOR 1.02 [.040] TO 2.54 [.100] WIRE INSULATION DIA
- 2 TONGUE MATERIAL THK = 0.58±0.05 [.023±.002]
- 3 APPLIES FROM THE METAL EDGE OF THE BARREL TO THE CENTER OF THE STUD



QTY	PACKAGE TYPE	MATERIAL & FINISH	PART NO
OBSOLETE	250	LOOSE PC, BOX	M/F 329636
	5000	329636 ON TAPE	8-329636-5
	1000	LOOSE PC	2-329636-1
		BODY & SLEEVE: COPPER (ASTM-B152) TIN PL (ASTM-B545) INSULATION: NATURAL NYLON (ASTM-D4066) TYPE 1	329636

THIS DRAWING IS A CONTROLLED DOCUMENT.		DWN RAGHAVENDRA 27AUG09	Tyco Electronics Corporation Harrisburg, PA 17105-3608	
DIMENSIONS: mm [INCHES]		CHK JEFF RUTH 27AUG09	NAME	
TOLERANCES UNLESS OTHERWISE SPECIFIED:		APVD TOM MICHIELUTTI 27AUG09	WIRE TERMINAL PIDG - RING TONGUE WIRE SIZE: 24-20	
0 PLC ± -		PRODUCT SPEC	SIZE CAGE CODE DRAWING NO RESTRICTED TO	
1 PLC ± -		APPLICATION SPEC	A3 00779 C-329636	
2 PLC ± -		WEIGHT	SCALE 10:1 SHEET 1 OF 1 REV D1	
3 PLC ± 0.20 [.008]				
4 PLC ± -				
ANGLES ± 0° 30'				
MATERIAL SEE TABLE	FINISH SEE TABLE	CUSTOMER DRAWING		