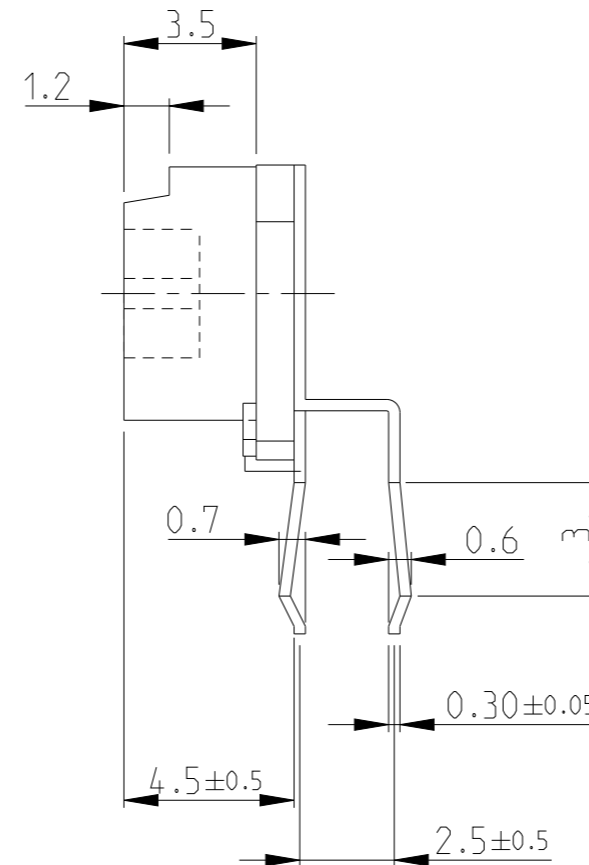
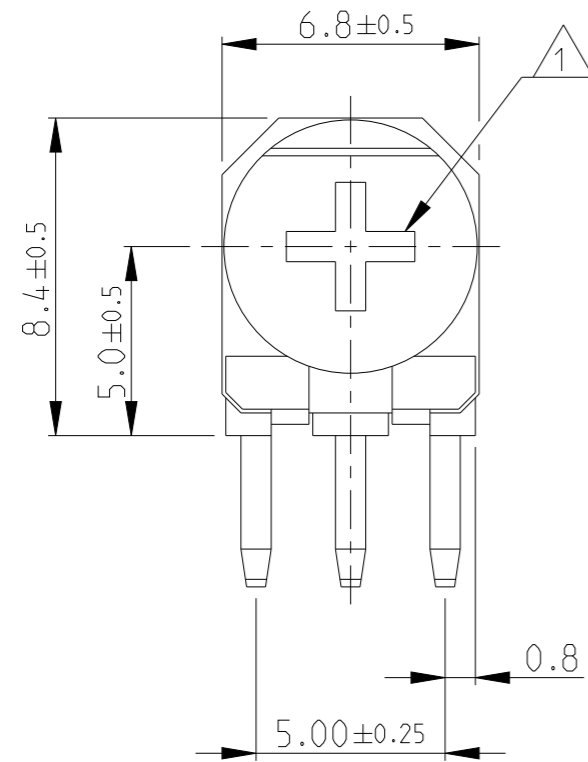
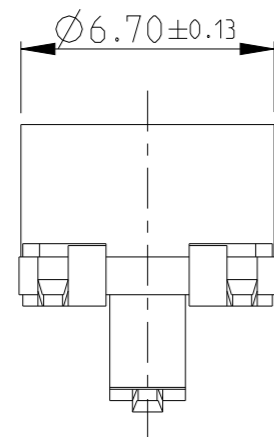


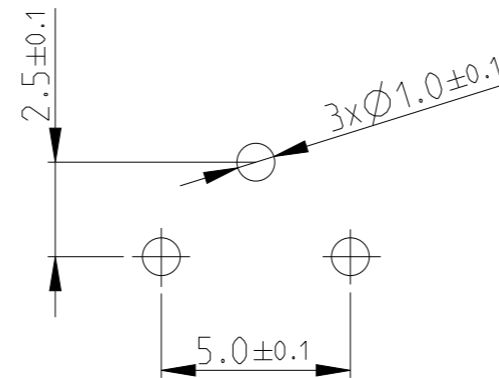
P	LTR	DESCRIPTION	DATE	DWN	APVD
	BA	NEW RELEASE	27NOV2008	SM	St.P
	BA1	OBSOLETE	25MAR2022	DM	AP
	BA2	RELEASED	07APR2022	DM	AP



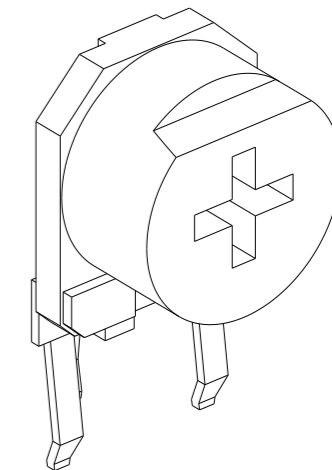
1 ADJUSTMENT HEAD: CROSS SLOT- 0.8x3.4, Depth-2
 2 FOR FURTHER INFORMATION SEE DATA SHEET FOR 416 SERIES-ECONOMY TRIMMERS



PCB LAYOUT PLAN



RoHS Compliant



THIS DRAWING IS A CONTROLLED DOCUMENT.		DWN SUBHASH.M 27NOV2008						
DIMENSIONS: mm		CHK PRAKASH.S 27NOV2008				NAME ECONOMY TRIMMERS SERIES 416X		
TOLERANCES UNLESS OTHERWISE SPECIFIED:		APVD STEPHEN.P 27NOV2008						
0 PLC ±0.2 1 PLC ±0.1 2 PLC ± 3 PLC ± 4 PLC ± ANGLES ±5°		PRODUCT SPEC -	SIZE A3	CAGE CODE 00779	DRAWING NO C=1623895	RESTRICTED TO -		
MATERIAL -		FINISH -	APPLICATION SPEC -	WEIGHT -	SCALE 5:1	SHEET 1 OF 1	REV BA2	
CUSTOMER DRAWING								