

PLEASE CHECK WWW.MOLEX.COM FOR LATEST PART INFORMATION

Part Number: [0875271612](#)
Status: **Active**
Description: 2.50mm Connector Pitch, 3.00mm Power Pitch, 3-in-1 Combo Connector with Single Fuse Socket, Right-Angle, 16 Circuits, Tin (Sn) Overall

Documents:

[3D Model](#) [Packaging Specification SPK-87527-001-001 \(PDF\)](#)
[Drawing \(PDF\)](#) [RoHS Certificate of Compliance \(PDF\)](#)
[Product Specification PS-87527-001-001 \(PDF\)](#)

Agency Certification

CSA LR19980
 UL E29179

General

Product Family I/O Connectors
 Series [87527](#)
 Application Wire-to-Board
 Comments Signal, Power, and Mini-Fuse
 Component Type Plug, Receptacle
 Product Name 3-in-1 Combo
 Type N/A
 UPC 822348069736

Physical

Circuits (Loaded) 16
 Circuits (maximum) 16
 Durability (mating cycles max) 30
 Flammability 94V-2
 Lock to Mating Part None
 Material - Plating Mating Tin
 Material - Plating Termination Tin
 Net Weight 6602.000/mg
 Orientation Right Angle
 PC Tail Length 2.90mm
 PCB Retention Yes
 PCB Thickness - Recommended 1.60mm
 Packaging Type Bag
 Panel Mount No
 Pitch - Mating Interface 2.50mm
 Polarized to Mating Part Yes
 Surface Mount Compatible (SMC) No
 Temperature Range - Operating -40° to +105°C
 Termination Interface: Style Through Hole
 Wire Size AWG N/A

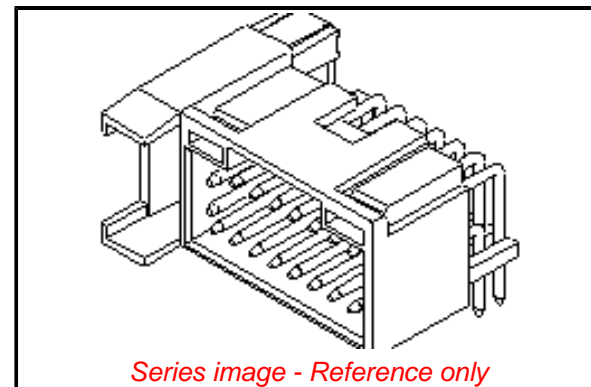
Electrical

Current - Maximum per Contact 4.0A
 Shielded Yes
 Voltage - Maximum 250V

Material Info

Reference - Drawing Numbers

Packaging Specification SPK-87527-001-001
 Product Specification PS-87527-001-001
 Sales Drawing SD-87527-007-001, SD-87527-007-002



EU ELV

Not Relevant

EU RoHS

Compliant

REACH SVHC

Not Contained Per -
 D(2020)4578-DC (25
 June 2020)

Halogen-Free

Status

Low-Halogen

For more information, please visit [Contact US](#)

China ROHS

ELV

RoHS Phthalates

China RoHS

Green Image

Not Relevant

Not Contained

Search Parts in this Series

[87527 Series](#)

Mates With

[877940002 Receptacle Housing](#)

This document was generated on 10/01/2021

PLEASE CHECK WWW.MOLEX.COM FOR LATEST PART INFORMATION