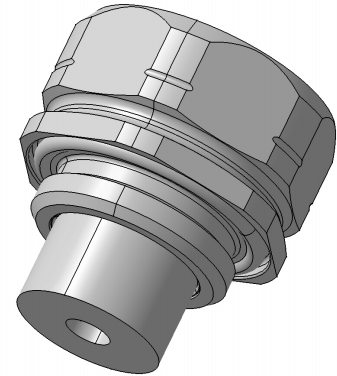


## Accessory 9071.99.0648

### Description

---

Gas discharge tube 90 V (SEMPER)



### Technical Data

---

GDT unit for retrofit and replacement for series 3401 and 3402

- UL recognized component, UL File E153537

- DC voltage  $\leq 48$  V

- DC current  $\leq 2.5$  A

- Turn-off time:

20 s typically at 2.0 A and 25 °C ambient temperature

< 40 s typically below 1 A and 25 °C ambient temperature

- Recovery time:

7 s at 25 °C ambient temperature

- Operating temperature:

-40 °C to +85 °C (Lightning protection functionality)

-20 °C to +85 °C (SEMPER(TM) functionality)

(Specifications subject to change without notice)

### Mechanical Data

Weight 0.0137 g

### Environmental Data

Operating temperature -20 °C to +85 °C  
2011/65/EU (RoHS - including compliant  
2015/863 and 2017/2102)

### Related Documents

---

Outline drawing DOU-00291765  
Mounting instruction DOC-0000228888