

6

5

4

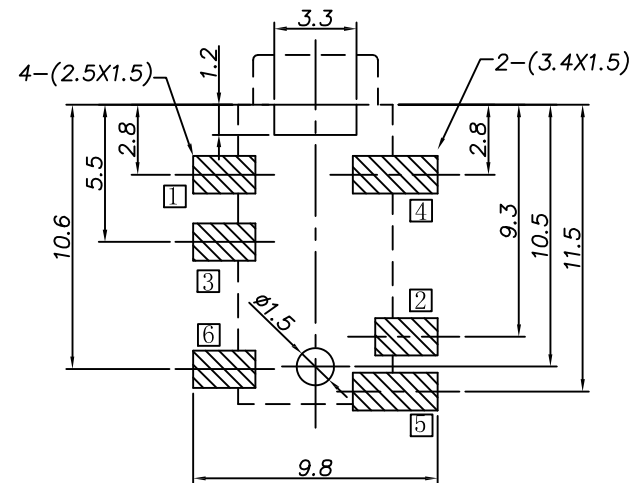
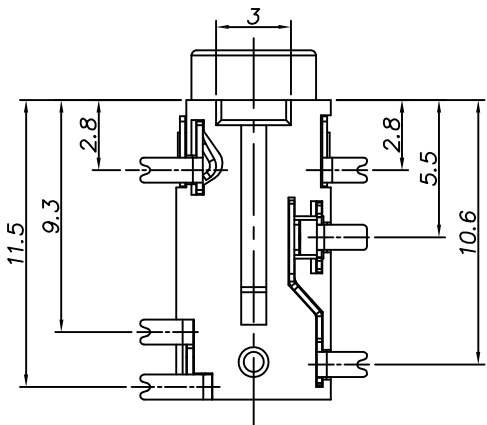
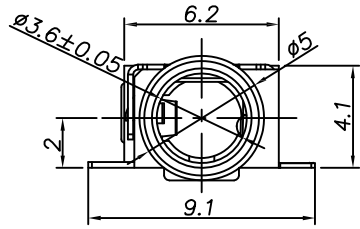
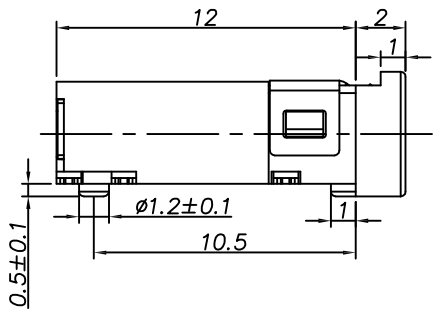
3

2

1

APPROVED: _____
 DATE: _____ TITLE: _____

Rev	AWO #	Description	Date	Appr
-		RELEASED	11/16/18	



RECOMMENDED PCB LAYOUT

PACKAGED ON TAPE & REEL

Model No.	ASJ-137-I-T/R	ASJ-137-J-T/R	ASJ-137-M-T/R	ASJ-137-A-T/R	ASJ-137-B-T/R	ASJ-137-D-T/R
Schematic code						

SPECIFICATIONS:
 Material:
 Insulator: Hi-temp thermoplastic, rated UL 94V-0
 Insulator color: Black
 Contacts: Copper alloy
 Plating:
 Gold flash over Nickel underplate overall
 Electrical:
 Rating: 30VDC, 1.0A
 Contact resistance: 30 mohms max.
 Insulation resistance: 100 Mohms min. @ 250 VDC
 Dielectric withstanding voltage: 500 VAC
 Environmental:
 Lead free, RoHS compliant.



UNLESS OTHERWISE SPECIFIED
 ALL DIMENSIONS ARE MILLIMETERS
 TOLERANCES: EXCEPT AS NOTED
 MM ANGLE
 ± 0.30 ± 2°

APPROVALS		DATE
DRAWN	HR	11/16/18
CHECKED	AC1	11/16/18
APPROVED		

ADAM TECH INTERCONNECTS

909 Rahway Avenue,
 Union, NJ 07083
 Phone: 908-687-5000
 Fax: 908-687-5710

TITLE: STEREO PHONE JACK, 3.5MM

SIZE X	PART NO. ASJ-137-X-T/R	REV. -
REF: S00002C	SCALE: NTS	SHEET 1 OF 1

6

5

4

3

2

1