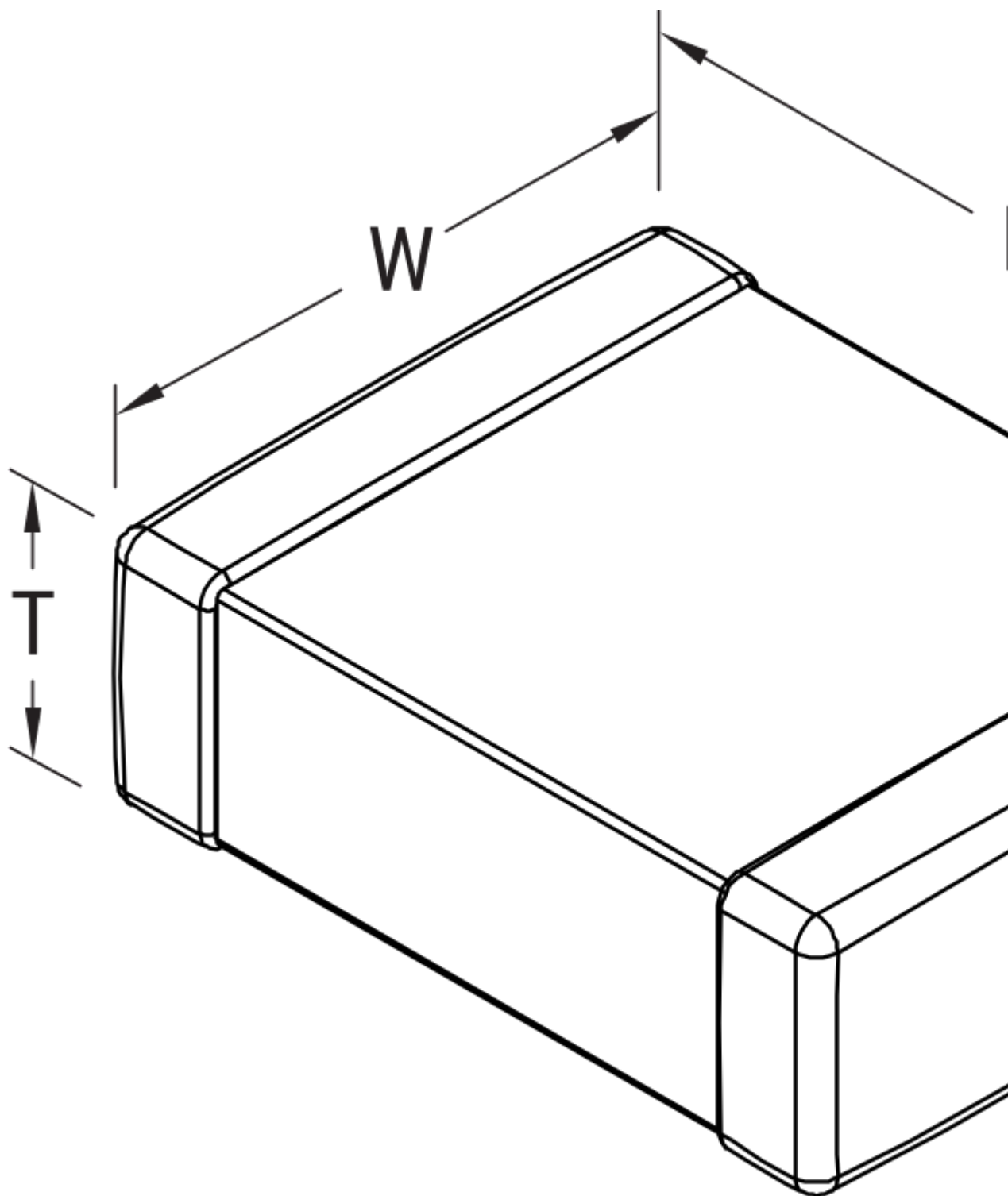


C1206C103KMGECAUTO

ESD SMD Auto C0G, Ceramic, 0.01 μ F, 10%, 63 VDC, C0G, SMD, MLCC, Temperature Stable, Electro Static Discharge, Automotive Grade, 1206



Click [here](#) for the 3D model.

Dimensions

Chip Size 1206

L 3.2mm +/-0.2mm

W 1.6mm +/-0.2mm

T 0.9mm +/-0.10mm

Dimensions

B 0.5mm +/-0.25mm

Packaging Specifications

Packaging T&R, 180mm, Plastic Tape

Packaging Quantity 4000

General Information

Series ESD SMD Auto C0G
Style SMD Chip
Description SMD, MLCC, Temperature Stable, Electro Static Discharge, Automotive Grade
Features Temperature Stable, Automotive Grade
RoHS Yes
Termination Tin
Marking No
Qualifications AEC-Q200
AEC-Q200 Yes
Component Weight 20 mg
Shelf Life 78 Weeks
MSL 1

Specifications

Capacitance 0.01 uF
Measurement Condition 1 kHz 1.0Vrms
Capacitance Tolerance 10%
Voltage DC 63 VDC
ESD Level per AEC-Q200 25,000 V ESD Level
Dielectric Withstanding Voltage 157.5 VDC
Temperature Range -55/+125°C
Temperature Coefficient C0G
Capacitance Change with Reference to +25°C and 0 VDC Applied (TCC) 30 ppm/C, 1kHz 1.0Vrms
Dissipation Factor 0.1% 1 kHz 1.0Vrms
Aging Rate 0% Loss/Decade Hour
Insulation Resistance 100 GOhms

Statements of suitability for certain applications are based on our knowledge of typical operating conditions for such applications, but are not intended to constitute - and we specifically disclaim - any warranty concerning suitability for a specific customer application or use. This Information is intended for use only by customers who have the requisite experience and capability to determine the correct products for their application. Any technical advice inferred from this Information or otherwise provided by us with reference to the use of our products is given gratis, and we assume no obligation or liability for the advice given or results obtained.

Generated 5/18/2023 - d9490525-d132-45fd-a9c1-161c0d6e7a46

© 2006 - 2023 KEMET

Generated 5/18/2023 - d9490525-d132-45fd-a9c1-161c0d6e7a46

© 2006 - 2023 KEMET