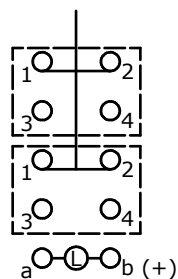
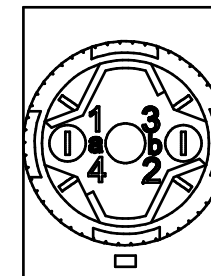
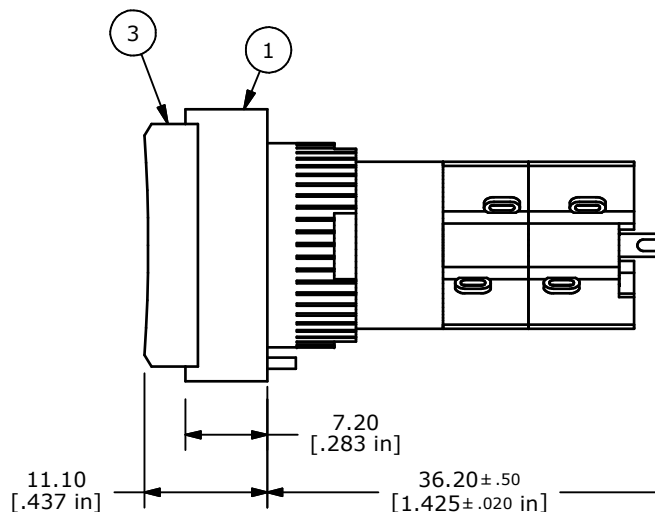
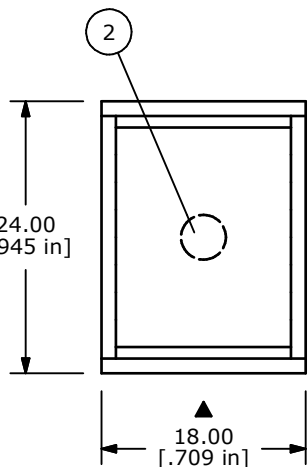


PARTS LIST			
ITEM	QTY	PART NUMBER	DESCRIPTION
1	1	F040023	D16EET12
2	1	F050405	5000405 - 28VDC INCANDESCENT - 40mA
3	1	F052206	5000206 - RECT. OPAQUE YEL. LENS (CONCAVE)

PANEL MOUNTING



DPDT CONTACT CONFIGURATION



NOTE:

1. ALL DIMENSIONS IN MM [INCH]
2. GENERAL TOLERANCE: X.X=±0.4
X.XX=±0.25
3. TERMINAL NUMBERS FOR REF ONLY
4. RATING: 5A @ 250 VAC
6A @ 24 VDC
8A @ 125 VAC
5. ELECTRIC LIFE: 50,000 MAKE-AND-BREAK CYCLES AT FULL LOAD.
6. INSULATION RESISTANCE: 1,000 MEGA-OHM MIN.
7. OPERATING TEMP.: -20°C to 55°C
8. SEAL RATING: IP 40
9. (MOUNTING) PANEL THICKNESS: 0.5 - 5.0 mm
- ▲10. LAMP VOLTAGE: 28V DC (40mA) INCANDESCENT
11. ▲ DENOTES CRITICAL PARAMETER.
12. 2002/05/EC (ROHS) COMPLIANT.
13. PACKAGE: BOX/20 PIECES PER BOX



A	18387	RELEASED FOR PRODUCTION	2/11/09	BLR
REV	PCR NO	DESCRIPTION	DATE	BY

TITLE D16EET12CYEL				
SCALE	DATE	DR	DWG	REV
1.5:1	2/11/2009	BLR	XF0781P	A

THE INFORMATION CONTAINED IN THIS DOCUMENT IS PROPRIETARY TO E-SWITCH AND IS NOT TO BE COPIED OR TRANSFERRED