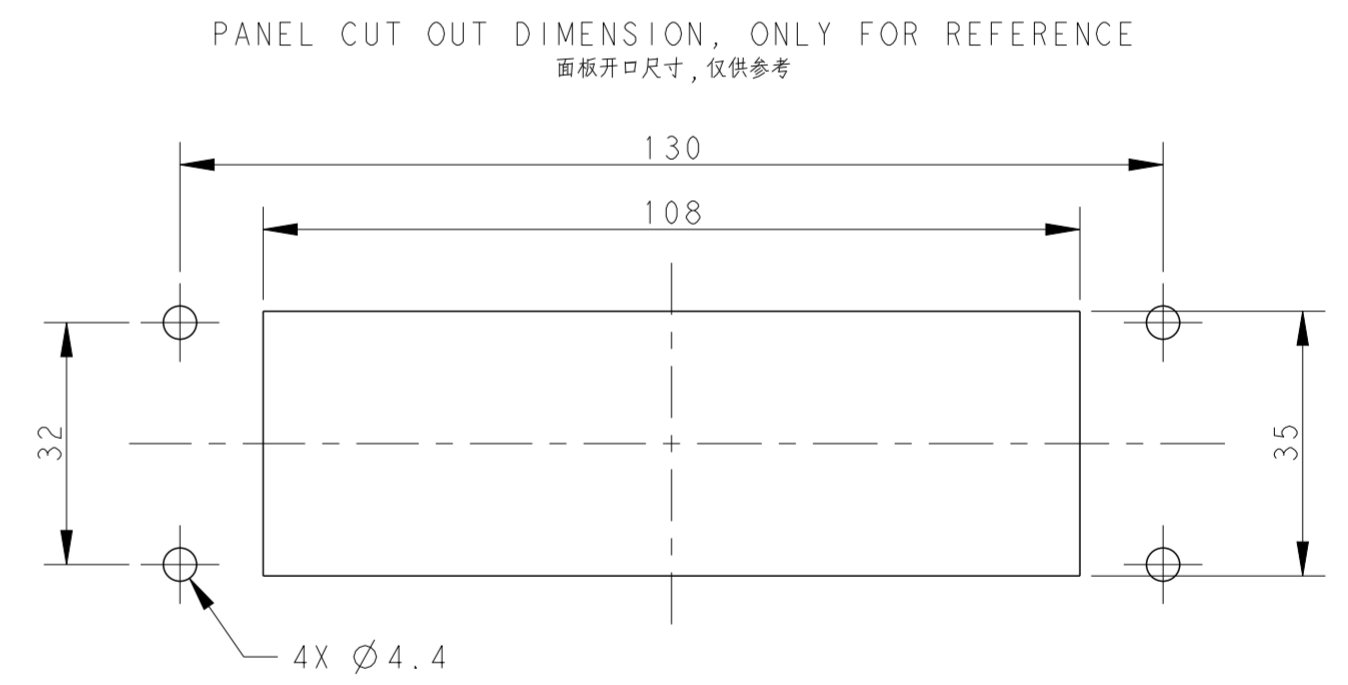
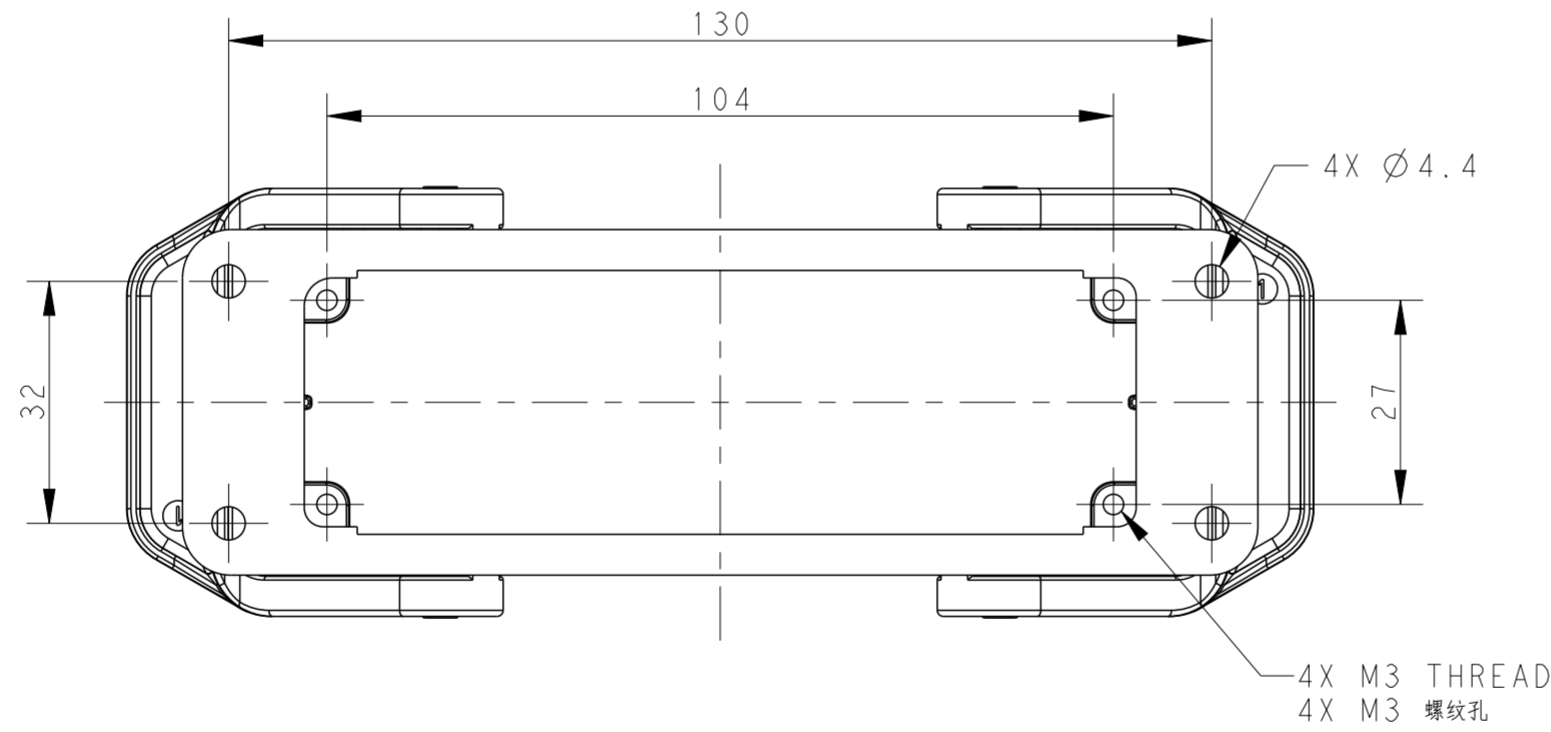
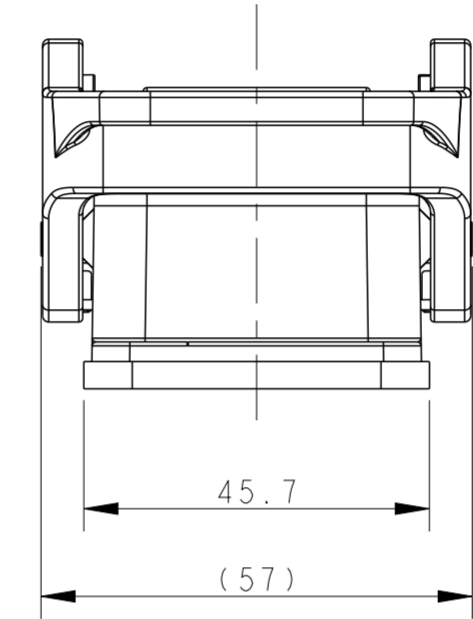
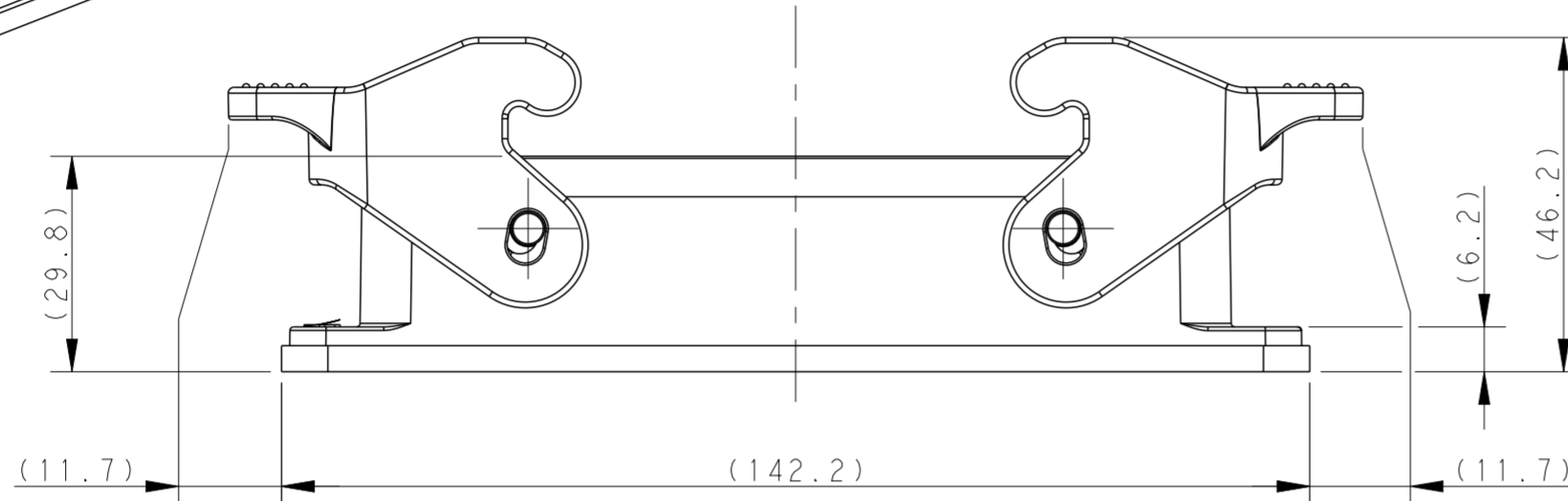
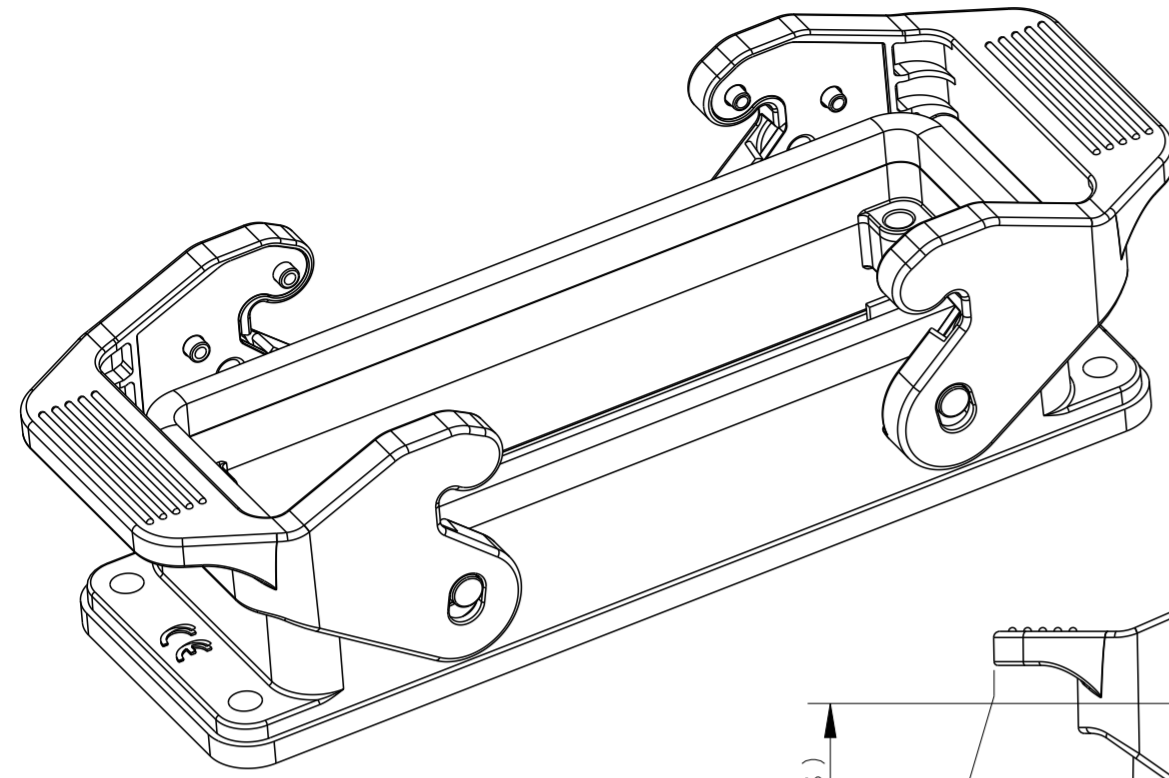


THIS DRAWING IS UNPUBLISHED. RELEASED FOR PUBLICATION 20
 © COPYRIGHT 20 BY - ALL RIGHTS RESERVED.

REVISIONS					
P	LTR	DESCRIPTION	DATE	DWN	APVD
A		INITIAL RELEASE	12JUN2015	DL	CW
A1		ECR-17-002960	06APR2017	DW	CW
B		ECR-21-108563	02AUG2021	WOR	CW
B1		ECR-23-175264	15MAY2023	AC	CW



NOTES:
 1. TECHNICAL CHARACTERISTICS:
 HOUSING MATERIAL: DIE CAST ALUMINIUM ALLOY
 HOUSING SURFACE: POWDER COATED, GREY
 DEGREE OF PROTECTION: IP65 (MATED)

注释:
 1. 技术参数:
 下壳材料: 铝合金
 下壳表面处理: 灰色粉末涂层
 防护等级: IP65 (配合)

TI410240000-000	H24B-AG-SL	H24B HOUSING, BULKHEAD MOUNTED, PLASTIC DOUBLE LOCKING POWDER COATED, GREY H24B下壳, 开孔安装, 塑料双扣, 灰色粉末喷涂
PART NUMBER 零件料号		PART DESCRIPTION 零件描述

THIS DRAWING IS A CONTROLLED DOCUMENT.		DWN DAVID LI 12JUN2015	TE Connectivity		
DIMENSIONS: mm		CHK CHRIS WANG 12JUN2015			NAME H24B-AG-SL
TOLERANCES UNLESS OTHERWISE SPECIFIED:		APVD XIANG XU 12JUN2015			
0 PLC ±	1 PLC ±	PRODUCT SPEC 108-137018	SIZE A2		
2 PLC ±	3 PLC ±	APPLICATION SPEC 114-137018	CAGE CODE -		
4 PLC ±	ANGLES ±	FINISH -	DRAWING NO. C-T141024000000		
MATERIAL -	FINISH -	WEIGHT -	RESTRICTED TO		
CUSTOMER DRAWING			SCALE 1:1		
			SHEET 1 OF 1		
			REV B1		