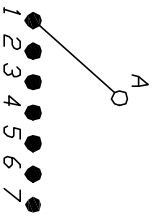
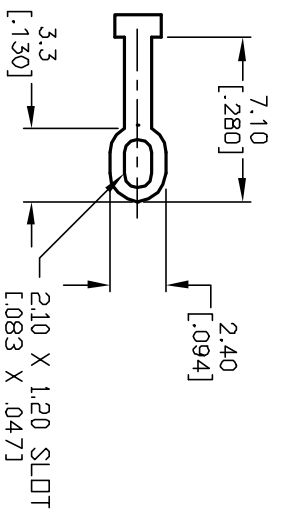


NOTES:

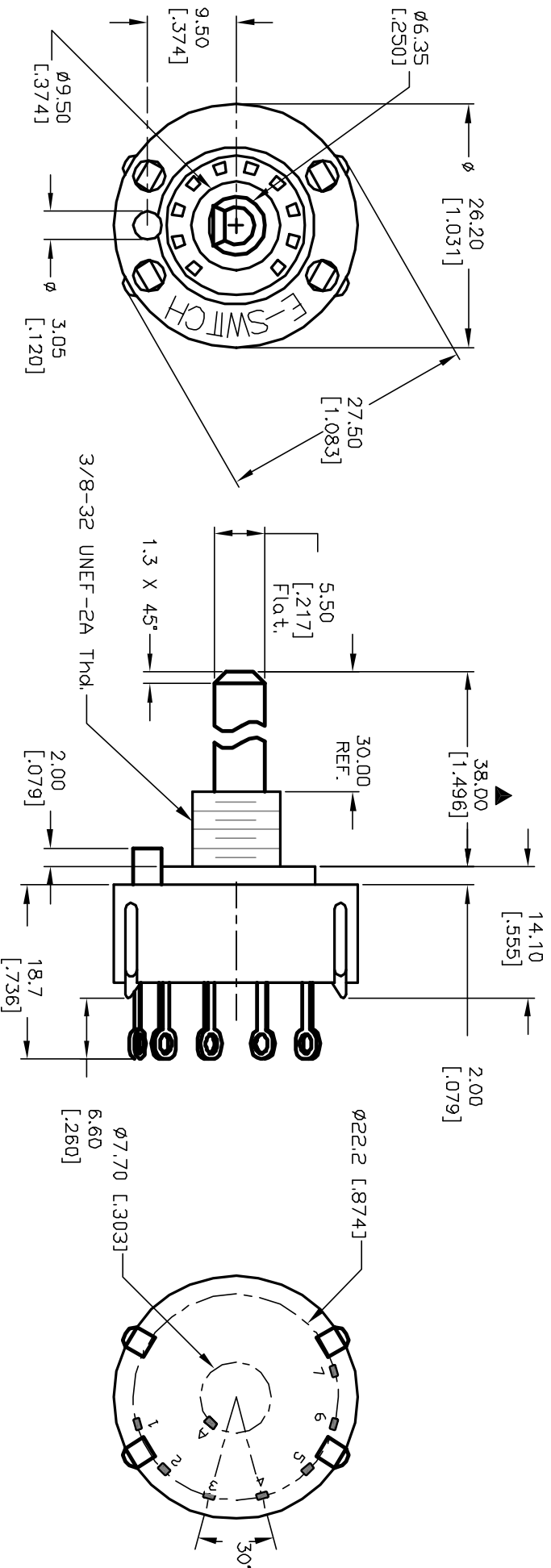
- 1. ALL DIMENSION IN MM [INCH]
- 2. GENERAL TOLERANCE: X.X=±0.4
X.XX=±0.25
- 3. TERM. NOS. FOR REF. ONLY
- 4. CONTACT RATING SWITCHING: 150mA, 250V AC/DC
350mA, 110V AC/DC
- 5. CONTACT RATING (NON-SWITCHING) 5A
- 6. CONTACT MATERIAL: SILVER over COPPER ALLOY.
- 7. OPERATING FORCE: 425±100 CM/STANDARD
- 8. OPERATING TEMP: -30° to 85°C
- 9. CIRCUIT SP: 7 POSITIONS, 30° INDEX.
- 10. DIELECTRIC STRENGTH 1000V RMS min. @ SEA LEVEL
- 11. DESIGNATE MAJOR DIMENSIONS
- 12. SUPPLIED HARDWARE: LOCK NUT AND WASHER (NOT SHOWN).



CONTACT CONFIGURATION
Timing: Non-Shorting (BBM)



TERMINATION DETAIL
SCALE 2X



E-SWITCH®

REV. B		REV. CJB		TITLE		SCALE	DATE	DR	DWG	REV
12633		REV DESC. PER NEW CATALOG		KC-17-A (30.0mm) 01-N-L-S		1.5:1	--	--	G527679	B
ECN No.		DESCRIPTION		DATE						
CHKD										
<p>THE INFORMATION CONTAINED IN THIS DOCUMENT IS PROPRIETARY TO E-SWITCH AND IS NOT TO BE COPIED OR TRANSFERRED</p>										