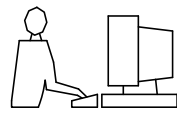


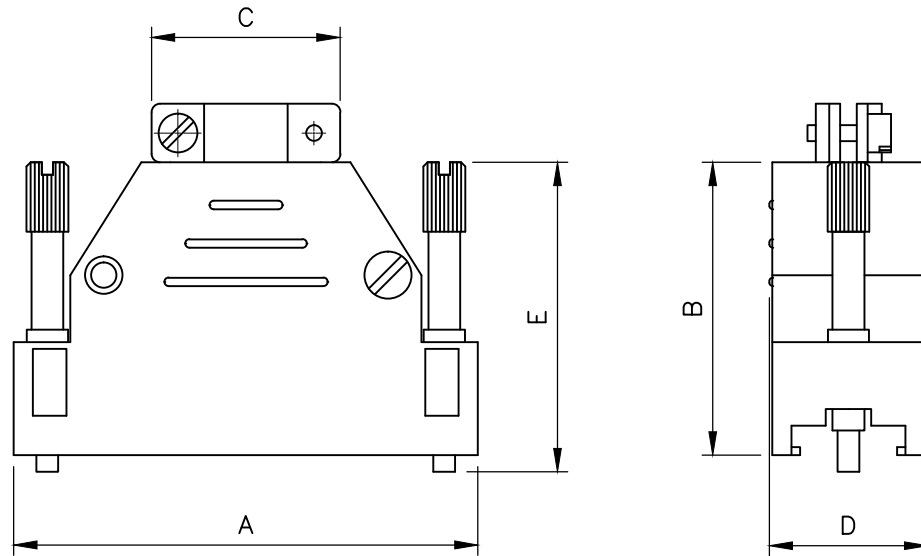
THIS IS A C.A.D. GENERATED DRAWING  
DO NOT MAKE MANUAL REVISIONS TO MASTER.



\* UNLESS OTHERWISE SPECIFIED TOLERANCES  
ON DECIMAL IS:  
UNIT: MM

**BACKSHELL KIT INCLUDES:**

- (2)BACKSHELL HALVES
- (2)CLAMPS
- (2)CLAMP SCREWS
- (2)SHELL SCREWS
- (2)JACKSCREWS



DIMENSIONS(mm)					
SIZE	A±1.0	B±1.0	C±0.6	D±0.8	E±0.6
09	31.4	24.0	16.1	18.2	38.0
15	42.0	30.0	21.1	18.2	38.0
25	55.5	36.0	24.0	18.2	38.0
37	69.8	38.0	30.7	18.2	38.0

Ordering information: Male Jackscrew

SIZE	P/N-Kitted	Product Code
9-WAY, Male JS	2801-0106-01	MHED-MD09T-K
15-WAY, Male JS	2801-0106-02	MHED-MD15T-K
25-WAY, Male JS	2801-0106-03	MHED-MD25T-K
37-WAY, Male JS	2801-0106-04	MHED-MD37T-K

BACKSHELL MATERIAL: ABS (METALLISED)  
SCREWS: STEEL, ZINC PLATED

THESE DRAWINGS AND SPECIFICATIONS ARE THE PROPERTY OF MH CONNECTORS LTD. AND SHALL NOT BE REPRODUCED, COPIED OR USED AS THE BASIS FOR THE MANUFACTURE OR SALE OF APPARATUS WITHOUT WRITTEN PERMISSION.

DRAWN HALEY	DATE 07-29-14
----------------	------------------

APPROVED	DATE
----------	------

SCALE NTS	SHEET OF 1 OF 1	REV: 2.0
--------------	--------------------	-------------

DRAWING No MHED-MDXXT
--------------------------



THIS SERIES FULLY CONFORMS TO THE EUROPEAN UNION DIRECTIVES 2002/95/EC AND 2002/96/EC FOR RoHS COMPLIANCY.



**MH CONNECTORS LTD.**