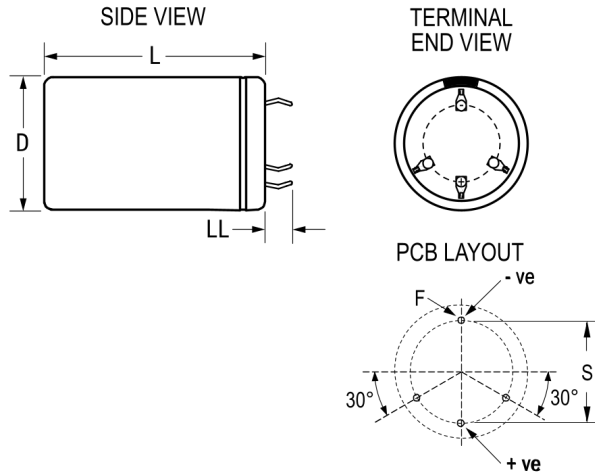


PEH536YEK3680M4

Aliases (A551HM681M450C)

PEH536, Aluminum Electrolytic, 680 uF, 20%, 450 VDC, -40/+105°C



Click [here](#) for the 3D model.

Dimensions

D	40mm +/-0.5mm
L	70mm +/-1mm
S	22.5mm NOM
LL	6.3mm +/-1mm
F	2mm +/-0.1mm

Packaging Specifications

Packaging	Bulk, Bag
Packaging Quantity	25

General Information

Series	PEH536
Dielectric	Aluminum Electrolytic
Description	Snap-In, Aluminum Electrolytic
RoHS	Yes
Lead	4 Pin
AEC-Q200	No
Component Weight	135 g
Notes	Add 0.5mm To D And 1mm To L For Sleeving.
Shelf Life	208 Weeks

Specifications

Capacitance	680 uF
Capacitance Tolerance	20%
Voltage DC	450 VDC
Temperature Range	-40/+105°C
Rated Temperature	105°C
Life	4600 Hrs (Rated Voltage And Ripple Current At 105C), 6000 Hrs (Rated Voltage At 105C)
Resistance	110 mOhms (100Hz 20C), 61 mOhms (100kHz 20C)
Ripple Current	2.7 Amps (100Hz 105C), 17.9 Amps (20kHz 40C)
Leakage Current	918 uA (5min 20°C)