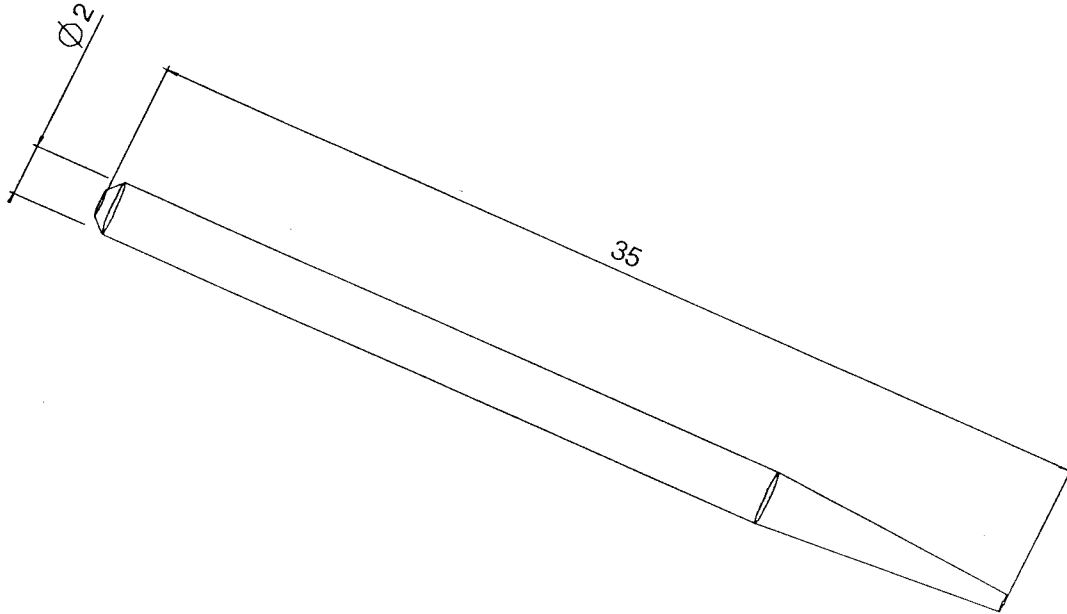


ELECTRODE FOR SOLDERING DEVICE 80 W**PACKAGING 10****R282.800.020**Série : **OUT-COAX**

**ELECTRODE TO BE USED WITH
PLIERS R282.800.010
FOR SOLDERING DEVICE R282.800.000**

Issue

940 A 02

Creation date

05-OCT-99

File part number

EPC 9804**RADIALL**®

MANA

The information given here is subject to change without notice.
Design changes may be in order to improve the product.