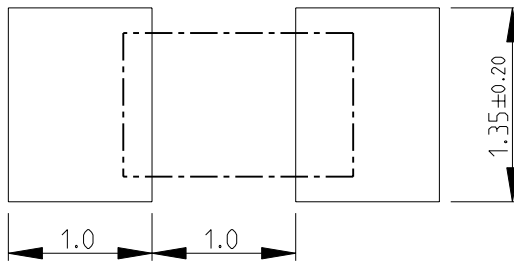
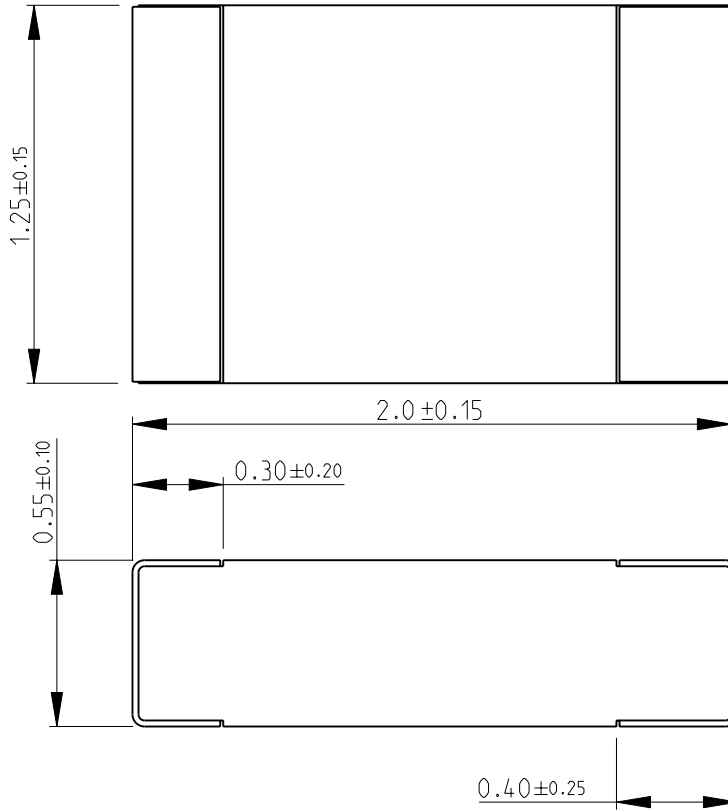


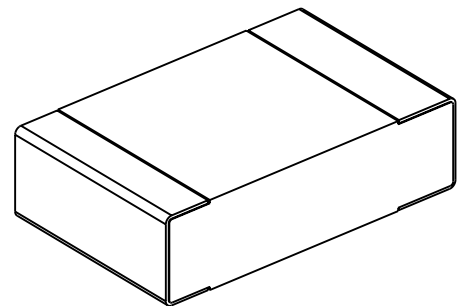
|     |      |           |     |             |           |     |      |
|-----|------|-----------|-----|-------------|-----------|-----|------|
| LOC | DIST | REVISIONS |     |             |           |     |      |
| E   | B    | P         | LTR | DESCRIPTION | DATE      | DWN | APVD |
|     |      |           | BA  | NEW RELEASE | 18-FEB-10 | MRS | St.P |

FOR FURTHER INFORMATION SEE DATA SHEET FOR  
RN73 SERIES-HIGH PRECISION RESISTORS (SMD)



RECOMMENDED LAND PATTERN

RoHS Compliant



SCALE 25:1

2010

RELEASED FOR PUBLICATION

THIS DRAWING IS UNPUBLISHED.

BY TYCO ELECTRONICS CORPORATION. ALL RIGHTS RESERVED.

© COPYRIGHT 2010

|  |                  |           |           |  |           |             |               |
|--|------------------|-----------|-----------|--|-----------|-------------|---------------|
| DIMENSIONS:<br>mm                      | DWN              | MAHARUDRA | 18-FEB-10 | MATERIAL   | -         | FINISH      | -             |
|  | CHK              | ALLAN.P   | 18-FEB-10 | Tyco Electronics Corporation<br>Dorcan, Swindon, SN3 5HH |           |             |               |
| TOLERANCES UNLESS OTHERWISE SPECIFIED: | APVD             | STEPHEN.P | 18-FEB-10 |  |           |             |               |
| 0 PLC ±0.2                             | PRODUCT SPEC     | -         | -         | SIZE   | CAGE CODE | DRAWING NO  | RESTRICTED TO |
| 1 PLC ±0.1                             | APPLICATION SPEC | -         | -         | A 4  | 00779     | © = 1614379 | -             |
| 2 PLC ±-                               | WEIGHT           | -         | -         | CUSTOMER DRAWING   |           |             | SCALE 40:1    |
| 3 PLC ±-                               |                  |           |           |  |           |             | SHEET 1 OF 1  |
| 4 PLC ±-                               |                  |           |           |  |           |             | REV BA        |
| ANGLES ±5°                             |                  |           |           |  |           |             |               |