

MFG. ENG.	APPROVED BY:	DATE:	QA	APPROVED BY:	DATE:
-----------	--------------	-------	----	--------------	-------

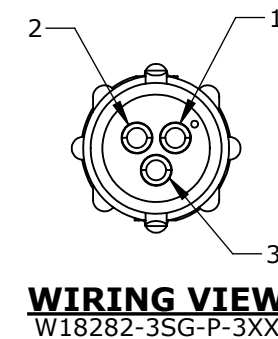
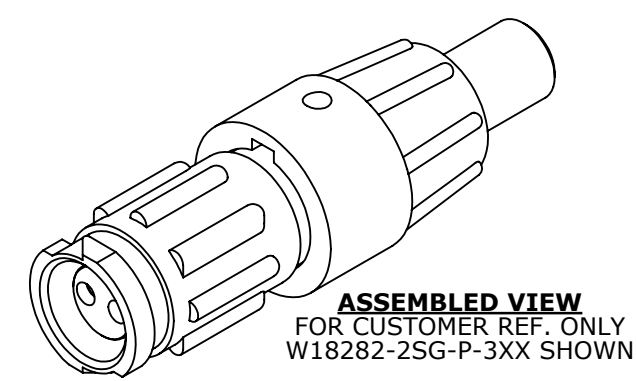
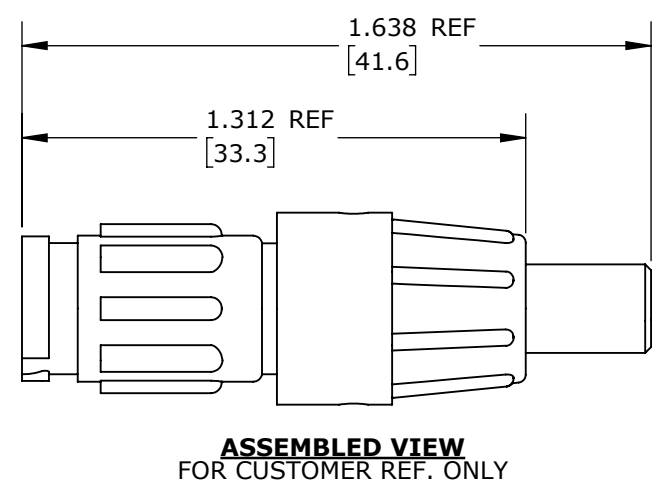
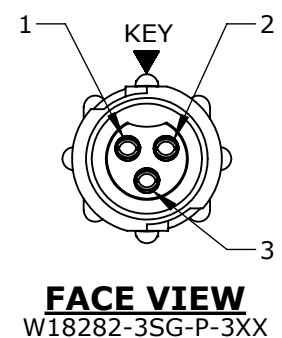
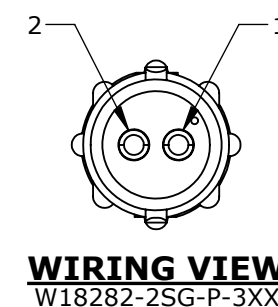
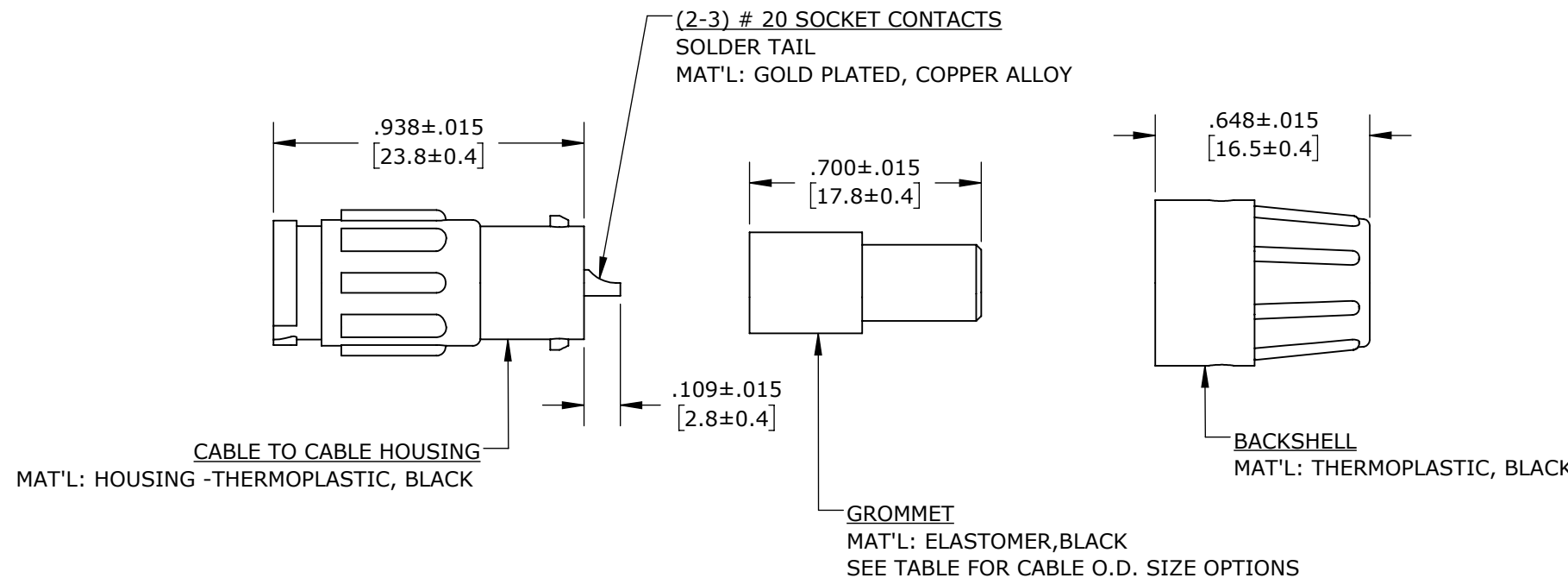
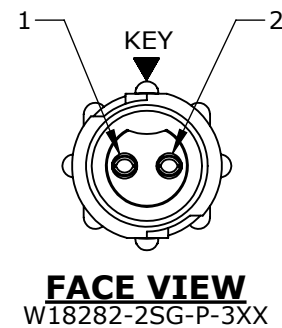
ASS'Y P/N	CONTACT QTY.	CABLE O.D. RANGE
W18282-2SG-P-311	2	0.09 - 0.14 [2.3 - 3.6]
W18282-2SG-P-315	2	0.15 - 0.17 [3.8 - 4.3]
W18282-2SG-P-318	2	0.18 - 0.20 [4.6 - 5.1]
W18282-3SG-P-311	3	0.09 - 0.14 [2.3 - 3.6]
W18282-3SG-P-315	3	0.15 - 0.17 [3.8 - 4.3]
W18282-3SG-P-318	3	0.18 - 0.20 [4.6 - 5.1]
W18282-XSG-P-3XX		

**NOTES:**

1. ALL PARTS ARE BULK PACKED.
2. REFER TO DRAWING HPMCSTD FOR CONTACT PATTERNS.
3. ALL DIMENSIONS ARE REFERENCE ONLY IN INCHES [mm], WITHIN ±0.015 UNLESS OTHERWISE NOTED.

# OF CONTACTS

GROMMET SIZE = CABLE O.D. RANGE:  
 311 = 0.09 - 0.14 [2.3 - 3.6]  
 315 = 0.15 - 0.17 [3.8 - 4.3]  
 318 = 0.18 - 0.20 [4.6 - 5.1]



CUSTOMER PRINT

PART NUMBER: W18282-XSG-P-3XX

**CUSTOMER APPROVAL**

THIS DOCUMENT CONTAINS CONFIDENTIAL INFORMATION PROPRIETARY TO CONXALL CORPORATION. ANY REPRODUCTION, DISCLOSURE, OR USE OF THIS DOCUMENT /INFORMATION IS EXPRESSLY PROHIBITED UNLESS AUTHORIZED IN WRITING BY CONXALL CORPORATION.

APPROVED BY: \_\_\_\_\_  
 DATE: \_\_\_\_\_

**RoHS COMPLIANT**

**PRELIMINARY**

DIMENSIONS IS BRACKETS [ ] ARE METRIC

0A	JGK	8/22/19	DRAWING CREATED FOR PDR #18004.		
REV.	INIT.	DATE	DESCRIPTION		
	JGK	8/22/19	ALL INFORMATION ILLUSTRATED IS THE PROPERTY OF CONXALL CORPORATION. UNAUTHORIZED DUPLICATION OR DISTRIBUTION OF THIS DOCUMENT IS PROHIBITED.		
APPROVED BY:					
TITLE:			CABLE TO CABLE CONN. ASS'Y (2-3) #20 SOCKET CONTACTS, SOLDER INSTA-CLICK, MICRO-CON-X STANDARD PRODUCT		
SCALE:			CUSTOMER:		
NTS			W18282-XSG-P-3XX		
SIZE:			PART NUMBER:		
B			W18282-XSG-P-3XX		
SHEET:			REV		
1 OF 1			0A		
FILE:			DIRECTORY:		
W18282-XSG-P-3XX			SLW		
- CRITICAL CHARACTERISTIC FLAG PER SPEC. XXXX					