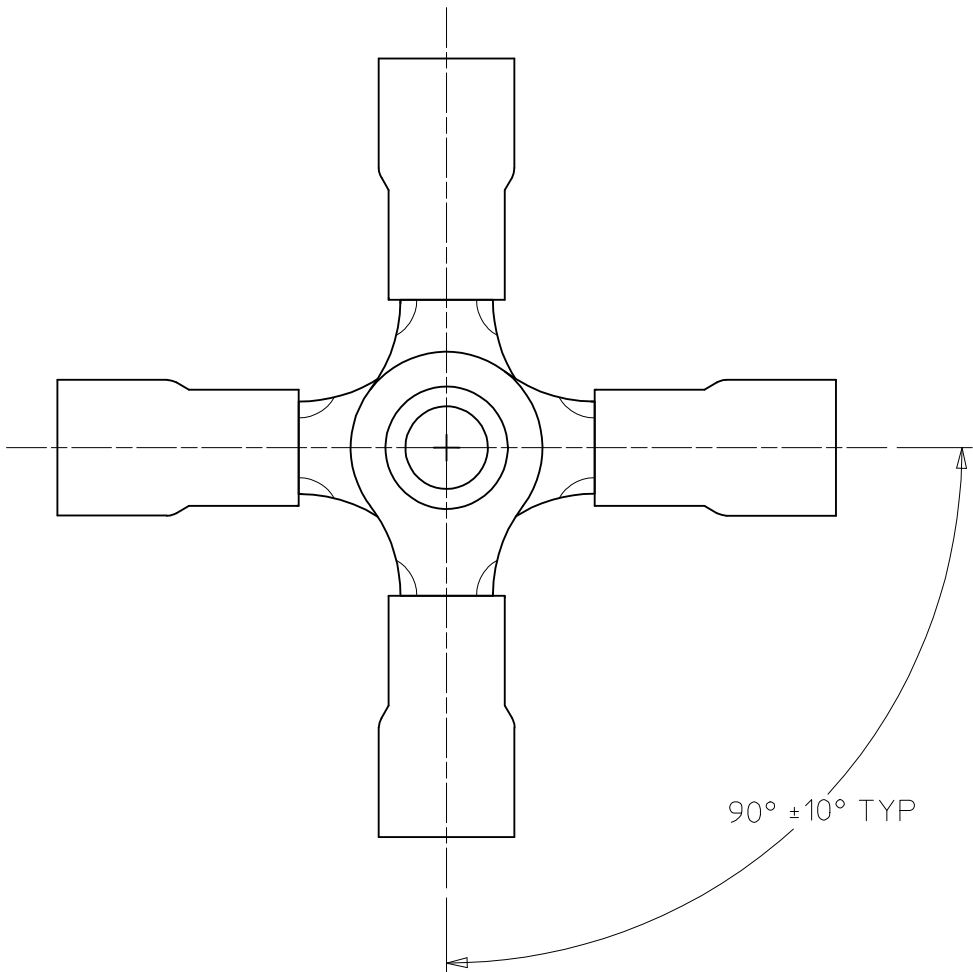


ASSEMBLY NUMBER	
MATERIAL NUMBER	ENGINEERING NUMBER
192040001	A-1XC
192040003	A-2XCX
192040006	A-3XC
192040008	A-5XC
192040011	B-1XC
192040013	B-2XCX
192040015	B-3XC
192040017	B-5XC
192040021	B-8XC
192040023	C-1XC
192040025	C-2XCX
192040027	C-3XC
192040029	C-5XC
192040019	C-8XC
191640284	SA-2XCX
191640041	SB-2XCX
191640285	SC-2XCX



SALES DRAWING

WAS 6525-01/C,-02/C EC NO: ETC2003-0305 DRWN:DMYRICK 2003/05/16 CHKD:RWD 2003/05/16 APPR:RDEROSS 2003/05/16	QUALITY SYMBOLS	GENERAL TOLERANCES (UNLESS SPECIFIED)		SCALE NTS	DESIGN UNITS INCH	THIRD ANGLE PROJECTION	REVISE ON CAD ONLY		
	▽ = 0	mm	INCH	DIMENSION STYLE IN/MM		TITLE			
	▽ = 0	4 PLACES ± ---	± ---	DRAWN BY	DATE	4-WAY CONNECTOR ASSEMBLY			
		3 PLACES ± ---	± .005	RWD	03/05/14				
	2 PLACES ± 0.13	± .01	CHECKED BY	DATE	MOLEX INCORPORATED				
	1 PLACE ± 0.25	± ---	RWD	03/05/14					
	ANGULAR ± 1/2°	DRAFT WHERE APPLICABLE		APPROVED BY	DATE	MATERIAL NO.	DOCUMENT NO.	SHEET NO.	
		MUST REMAIN WITHIN DIMENSIONS		RWD	03/05/14	(SEE CHART)	SD-19204-002	1 OF 1	
		THIS DRAWING CONTAINS INFORMATION THAT IS PROPRIETARY TO MOLEX INCORPORATED AND SHOULD NOT BE USED WITHOUT WRITTEN PERMISSION							A