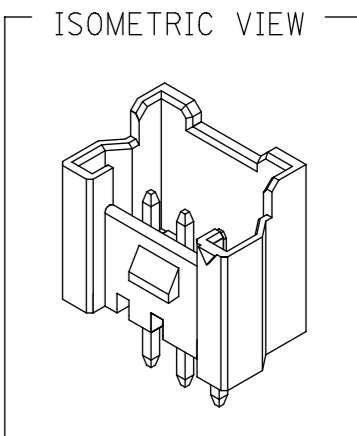
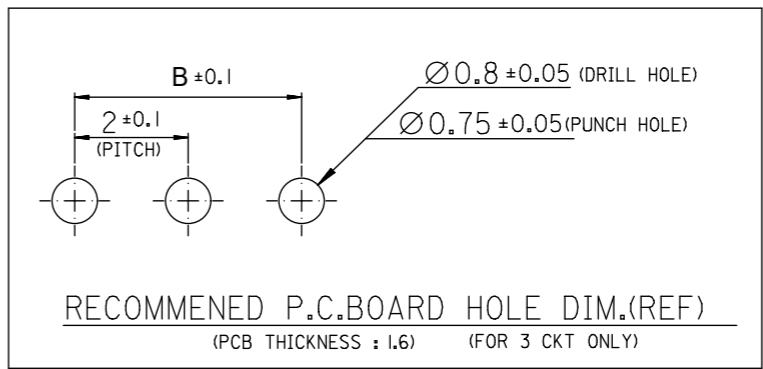
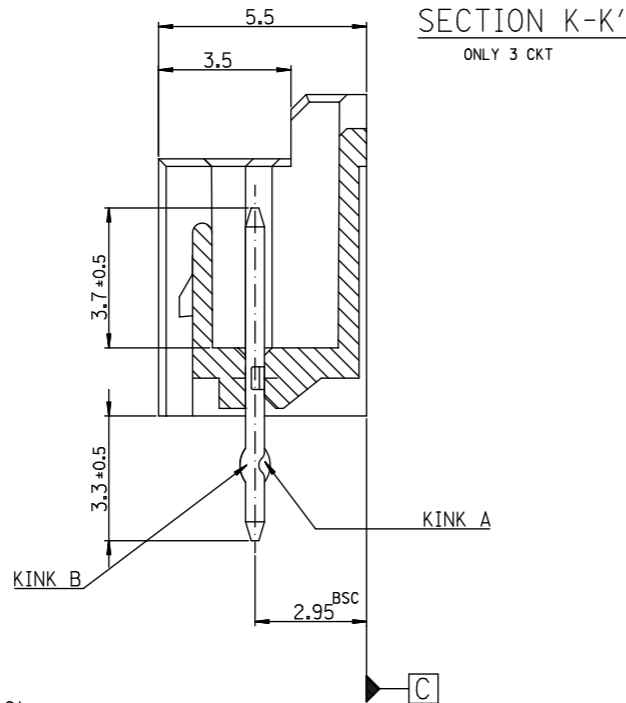
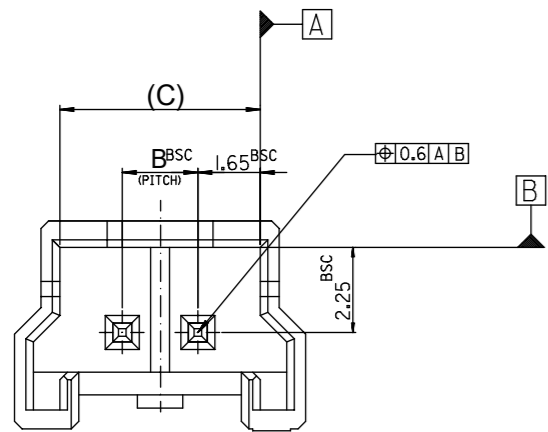


FOR 2 & 3 CKTS.



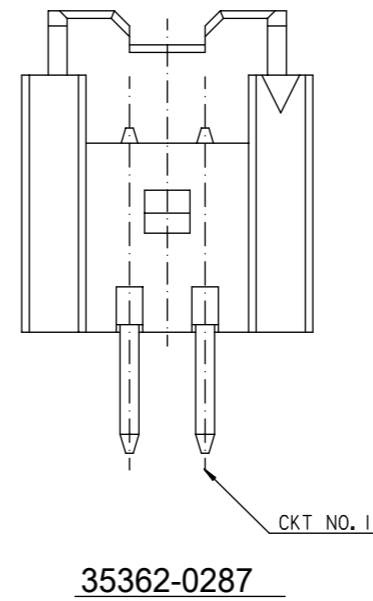
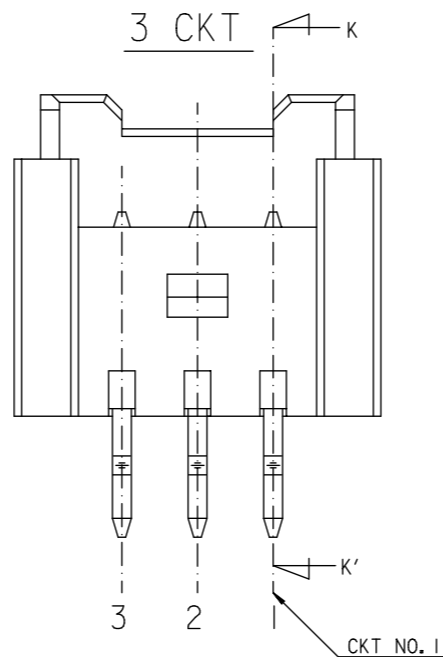
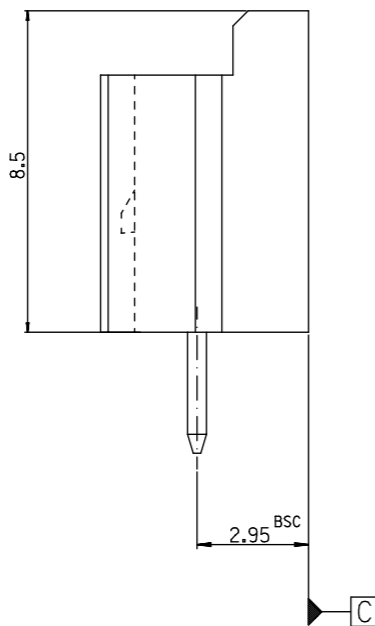
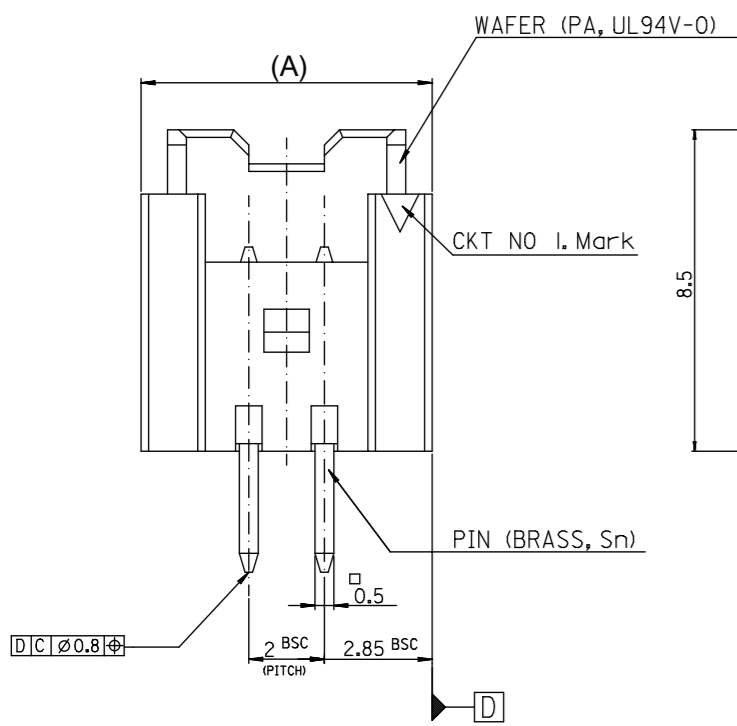
LEGEND

SD-35362-****
 CKT NO. _____ COLOR _____

FINAL GOOD (BULK) 5 : SELECTIVE KINK (LEAD FREE)
 6 : NONE KINK (LEAD FREE)

SUB ASSY (TUBE) 7 : SELECTIVE KINK (LEAD FREE)
 8 : NONE KINK (LEAD FREE)

0 : NATURAL
 1 : BLACK
 2 : RED
 3 : YELLOW
 4 : BLUE
 5 : GREEN
 6 : TUBE PACKING (Natural Color)
 7 : TUBE PACKING (Red Color)
 8 : TUBE PACKING (Blue Color)



NOTES

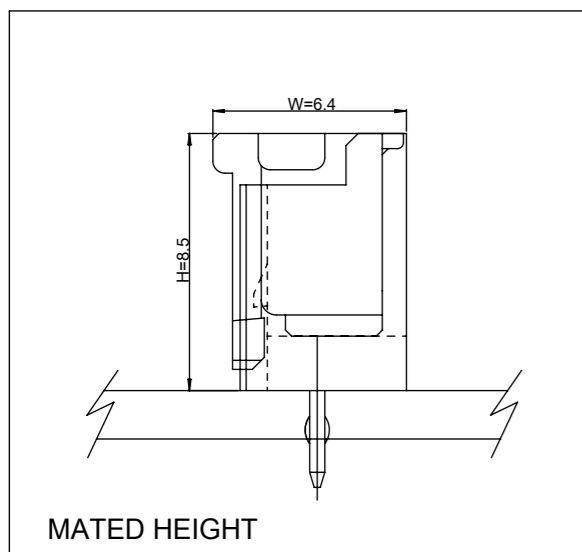
- MATERIAL : UNFILLED POLYAMIDE, UL94V-0
PIN : BRASS
- FINISHES : PIN - Tin(Sn) 1.0~3.0μm OVERALL
Cu 1.5~3.75μm OVERALL
- PRODUCT SPECIFICATION : PS-35507-003
- MATING HOUSING : 35507-**0*
MATING TERMINAL : 50212-8000
- KINK

CKT NO.	1	2	3
2 CKT			
3 CKT	A	B	A

6. 35362-0287 IS ONLY KINKED 2P

CKT NO.	1	2
PRODUCT NO.		
35362-0287	A	B

7.3	4	9.7	3536203**	35362-03**	3
5.3	2	7.7	3536202**	35362-02**	2
(C)	B	(A)	MATERIAL NO.	ENG. NO.	CKT



LEAD FREE

30 over	±0.3
10 over 30 under	±0.25
10 under	±0.2
ANGLE	± 3°

FUNCTIONAL SYMBOLS: $\nabla_A = 0$, $\nabla_E = 0$, $\nabla_P = 0$

DIVISIONAL SYMBOLS: 4 PLACES ±, 3 PLACES ±, 2 PLACES ±, 1 PLACE ±, 0 PLACES ±

GENERAL TOLERANCE: DRAFT WHERE APPLICABLE MUST REMAIN WITHIN DIMENSIONS

THIS DRAWING CONTAINS INFORMATION THAT IS PROPRIETARY TO MOLEX ELECTRONIC TECHNOLOGIES, LLC AND SHOULD NOT BE USED WITHOUT WRITTEN PERMISSION

SCALE: mm 5:1

GENERAL TOLERANCES (UNLESS SPECIFIED): ANGULAR TOL ± °

CURRENT REV DESC:

EC NO: 636378
 DRWN: SCHONG03 2020/04/21
 CHK'D: JBJIN 2020/04/23
 APPR: YSKIM02 2020/04/23

INITIAL REVISION:
 DRWN: DYJANG 2004/09/01
 APPR: CHANGWOOLEE 2004/09/02

THIRD ANGLE PROJECTION

DRAWING: A3-SIZE

SERIES: 35362

DOCUMENT NUMBER: SD-35362-002

DOC TYPE: PSD

DOC PART: 002

REVISION: F3

MATERIAL NUMBER: SEE TABLE

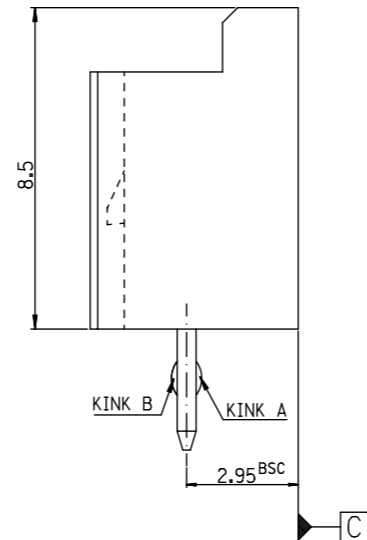
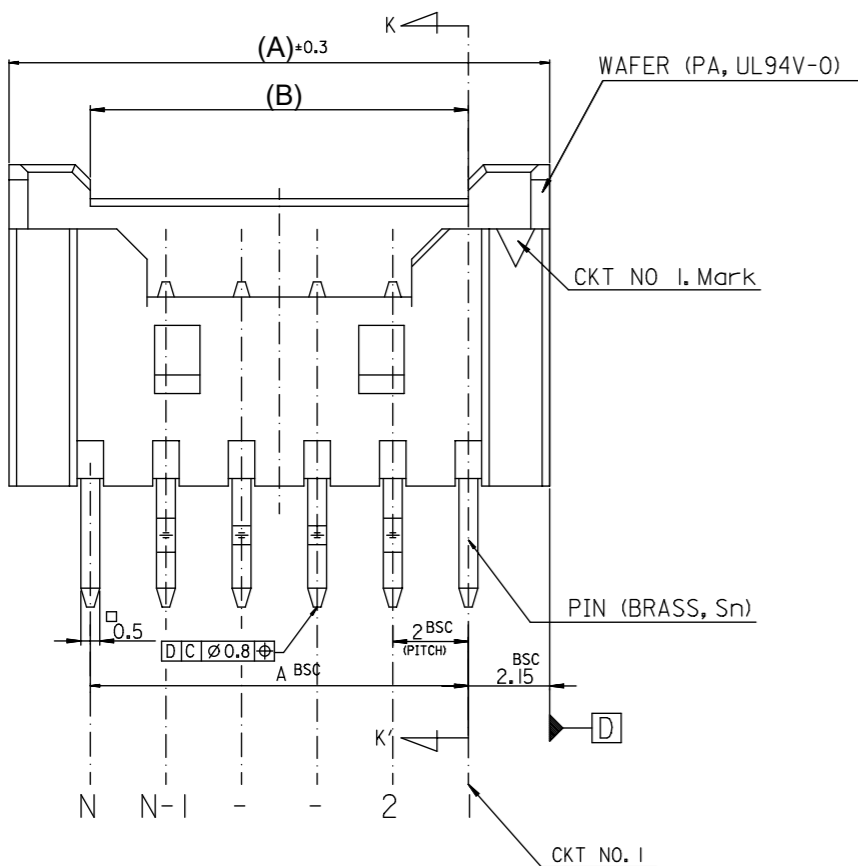
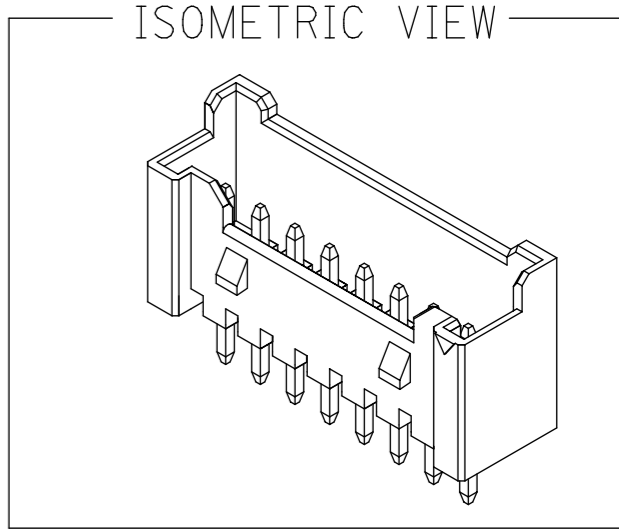
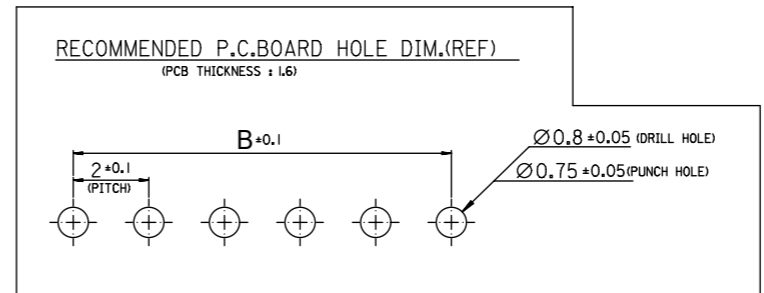
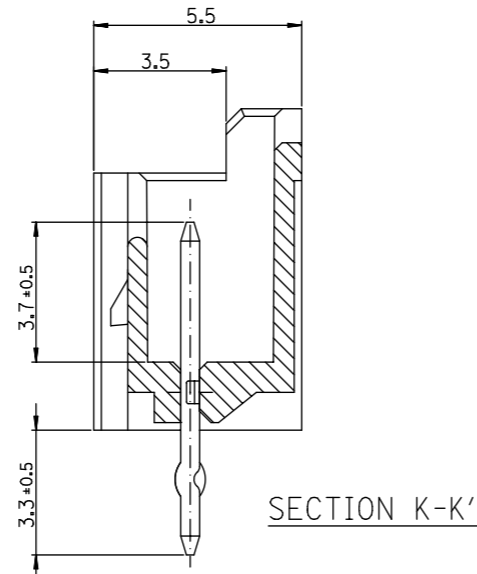
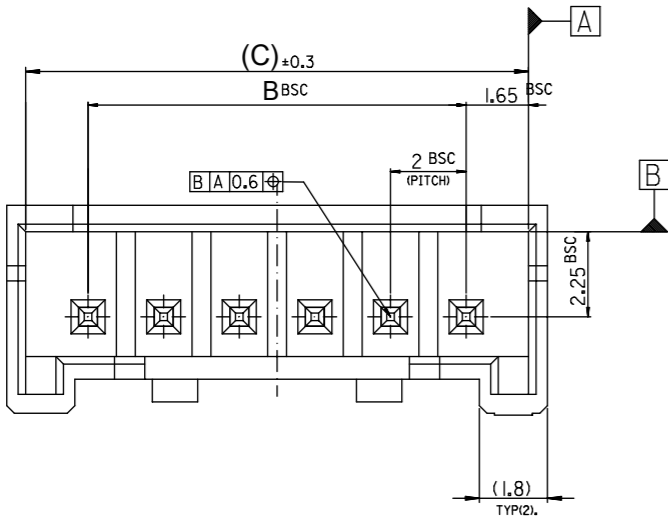
CUSTOMER: GENERAL MARKET

SHEET NUMBER: 1 OF 1

molex

2.0 WB WAFER ASS'Y
-LEAD FREE-

PRODUCT CUSTOMER DRAWING



LEGEND

SD-35362-****
 CKT NO. _____ COLOR _____

- 0 : NATURAL
- 1 : BLACK
- 2 : RED
- 3 : YELLOW
- 4 : BLUE
- 5 : GREEN
- 6 : TUBE PACKING (Natural Color)
- 7 : TUBE PACKING (Red Color)
- 8 : TUBE PACKING (Blue Color)

FINAL GOOD (BULK)

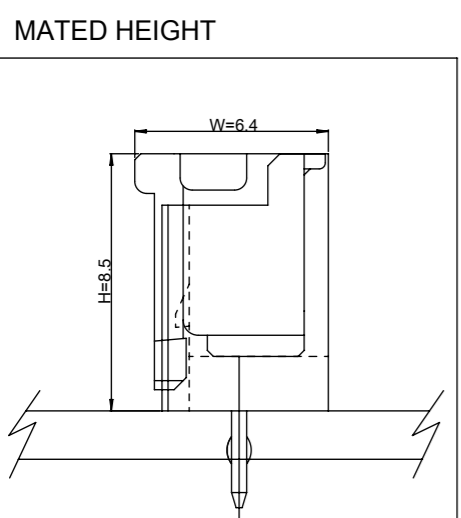
- 5 : SELECTIVE KINK (LEAD FREE)
- 6 : NONE KINK (LEAD FREE)

SUB ASSY (TUBE)

- 7 : SELECTIVE KINK (LEAD FREE)
- 8 : NONE KINK (LEAD FREE)

- NOTES**
- MATERIAL : WAFER : UNFILLED POLYAMIDE, UL94V-0
PIN : BRASS
 - FINISHES : PIN - Tin(Sn) 1.0~3.0µm OVERALL
Cu 1.5~3.75µm OVERALL
 - PRODUCT SPECIFICATION : PS-35507-003
 - MATING HOUSING : 35507-**0*
MATING TERMINAL : 50212-8000
 - KINK

	CKT NO	1	2	3	-	-	N-2	N-1	N
CKT		-	A	B	-	-	B	A	-
16±20 CKT		-	A	B	-	-	B	A	-



41.3	38	42.3	3536220**	35362-20**	20
39.3	36	40.3	3536219**	35362-19**	19
37.3	34	38.3	3536218**	35362-18**	18
35.3	32	36.3	3536217**	35362-17**	17
33.3	30	34.3	3536216**	35362-16**	16
(C)	B	(A)	MATERIAL NO.	ENG. NO.	CKT

LEAD FREE 30 over ±0.3 10 over 30 under ±0.25 10 under ±0.2 ANGLE ±3°	FUNCTIONAL SYMBOLS	THIS DRAWING CONTAINS INFORMATION THAT IS PROPRIETARY TO MOLEX ELECTRONIC TECHNOLOGIES, LLC AND SHOULD NOT BE USED WITHOUT WRITTEN PERMISSION	molex 2.0 WB WAFER ASSY -LEAD FREE- PRODUCT CUSTOMER DRAWING			
	DIMENSION UNITS	SCALE				CURRENT REV DESC:
	GENERAL TOLERANCES (UNLESS SPECIFIED)	mm	5:1	EC NO: 636378		
	ANGULAR TOL ± °			DRWN: SCHONG03 2020/04/21		
4 PLACES ±			CHK'D: JBJIN 2020/04/23			
3 PLACES ±			APPR: YSKIM02 2020/04/23			
2 PLACES ±			INITIAL REVISION:			
1 PLACE ±			DRWN: DYJANG 2004/09/01			
0 PLACES ±			APPR: CHANGWOOLEE 2004/09/02			
DRAFT WHERE APPLICABLE MUST REMAIN WITHIN DIMENSIONS	THIRD ANGLE PROJECTION	DRAWING	SERIES	MATERIAL NUMBER	CUSTOMER	SHEET NUMBER
		A3-SIZE	35362	SEE TABLE	GENERAL MARKET	1 OF 1