

MATERIALS AND FINISHES

BODY: BRASS
PLATED NICKEL

CENTER CONTACT: BRASS
PLATED GOLD (10u")

INSULATOR: POLYPROPYLENE

WASHER, RETAINING RING: BRASS
PLATED NICKEL

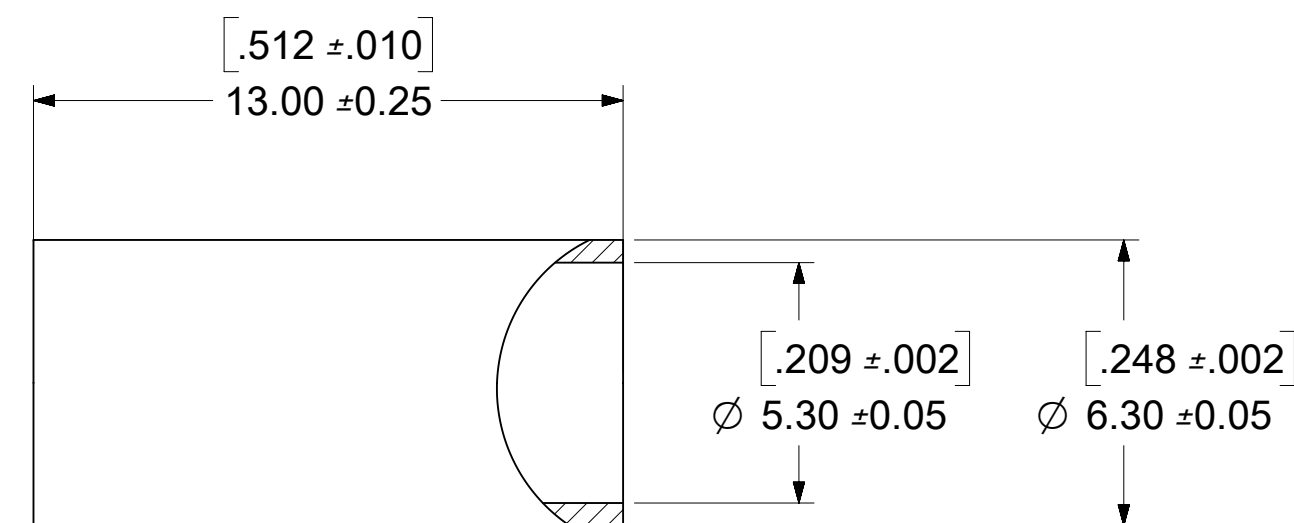
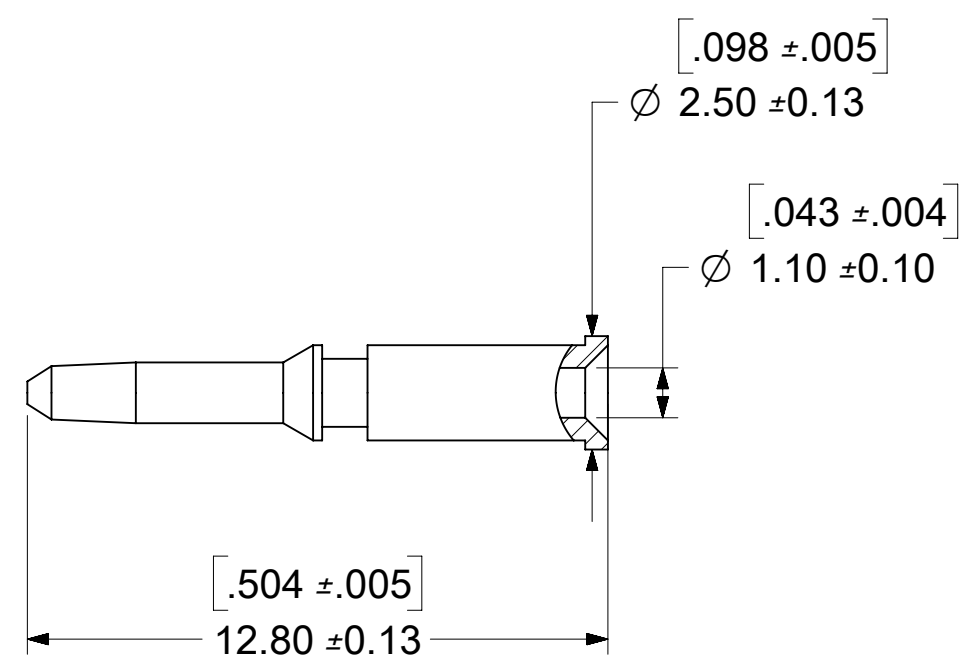
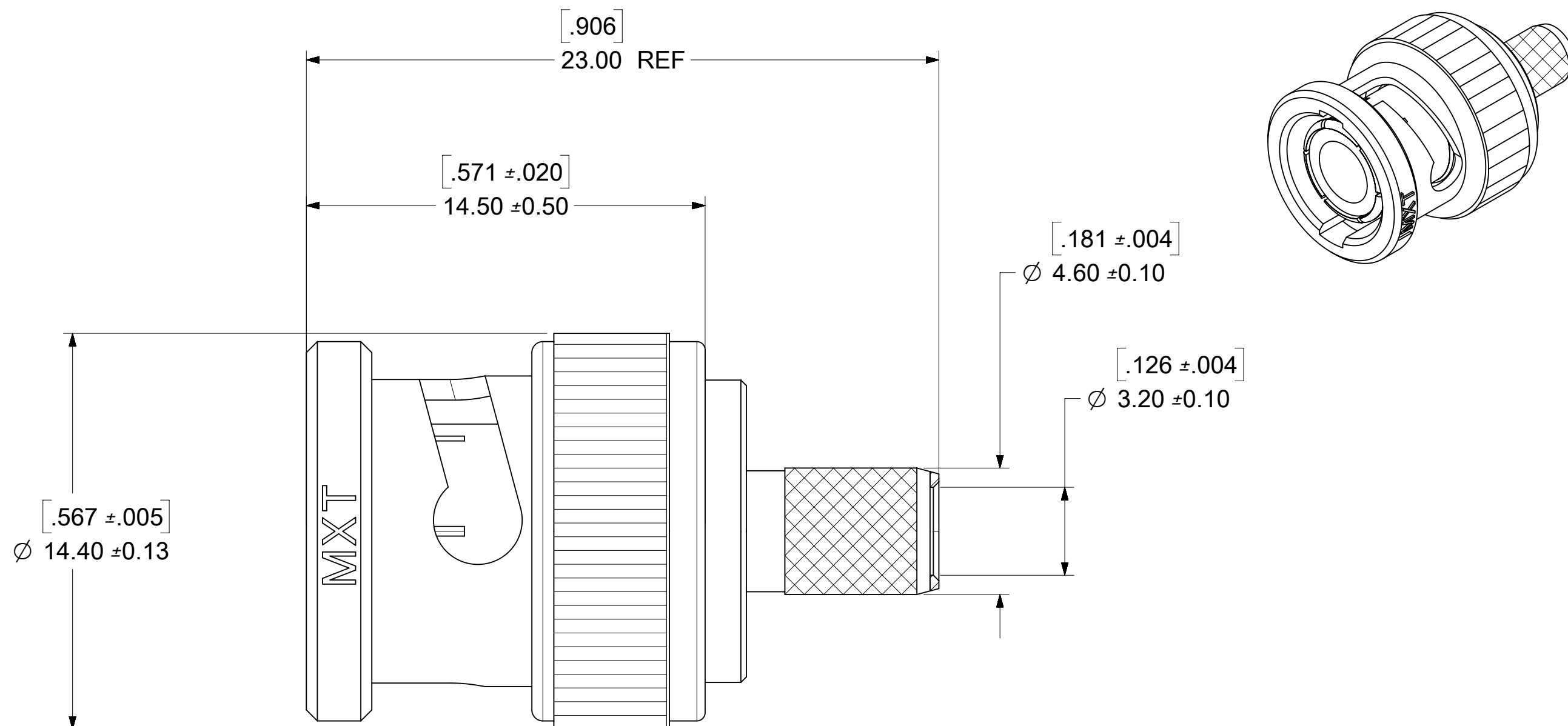
COUPLING NUT: BRASS
PLATED NICKEL

SPRING WASHER: PHOSPHOR BRONZE
PLATED NICKEL

GASKET: SILICONE RUBBER

CABLE ATTACHMENT:
INNER CONTACT ATTACHMENT : SOLDER/CRIMP(HEX:1.69)
OUTER CONDUCTOR: CRIMP(HEX:5.41)

PACKAGING: INDIVIDUAL PLASTIC BAGS



PART # 73174-0083

AS-73597-0042	ASSEMBLY INSTRUCTION
PS-73598-0024	PRODUCT SPECIFICATION
SPECIFICATION	DESCRIPTION

ORIGINAL DRAWN BY KELLY 1992/06/20

D1	2017/05/04	RELOAD TO ECTR; AS-73597-0042 WAS AS-89678-9070 PER RF17-E079
REV.	DATE	DESCRIPTION

EC NO: 117613 DRWN: CWEI02 CHKD: YCHENG REV: APPR:		2017/05/03 2017/06/07		GENERAL TOLERANCES (UNLESS SPECIFIED)		DIMENSION UNITS: MM SCALE: 5:1		molex BNC STR P 50OHM RG58C/U, RG141A/U, RG303/U CA TYPE BNC S/T	
4 PLACES ±		ANGULAR TOL ± 0.5 °		DRAWN BY: CWEI02 DATE: 2017/05/03		CHKD BY: DATE			
3 PLACES ±				CHKD BY: DATE		APPR BY: DATE		PRODUCT CUSTOMER DRAWING	
2 PLACES ±				MISEN 1992/06/20		DRAWING SIZE: C		THIRD ANGLE PROJECTION	
1 PLACE ±				DRAFT WHERE APPLICABLE MUST REMAIN WITHIN DIMENSIONS		73174		SERIES: MATERIAL NUMBER: CUSTOMER: GENERAL MARKET	
0 PLACES ±						DOCUMENT NUMBER: SD-73174-0083		DOC TYPE: PSD DOC PART: 001 SHEET NUMBER: 1 OF 1	