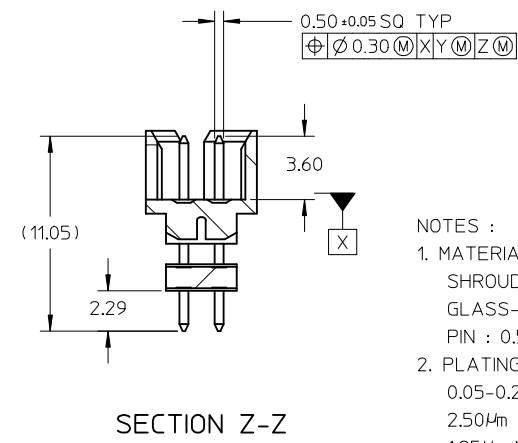
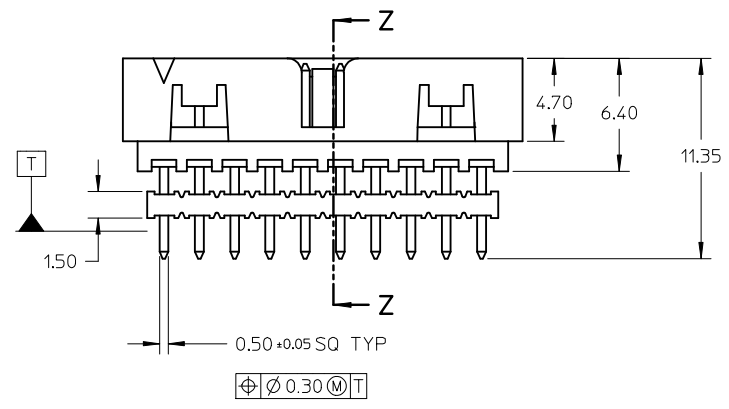
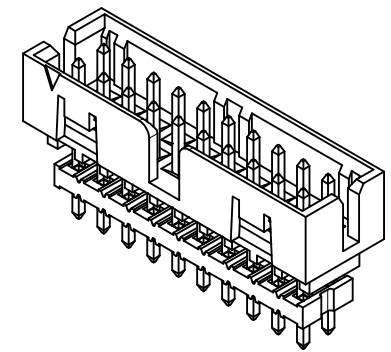
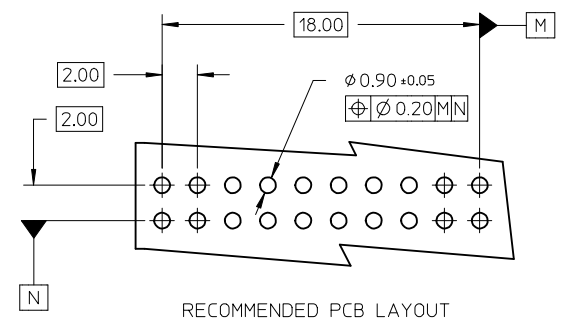
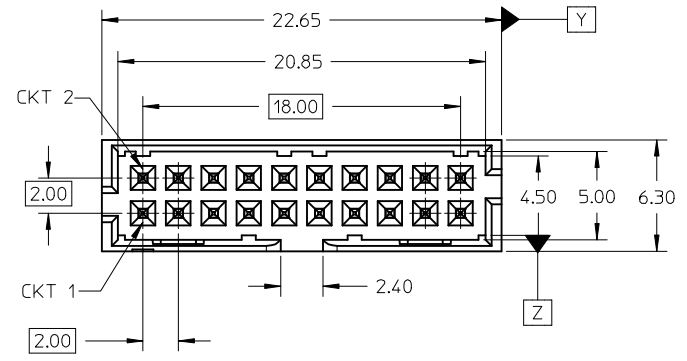


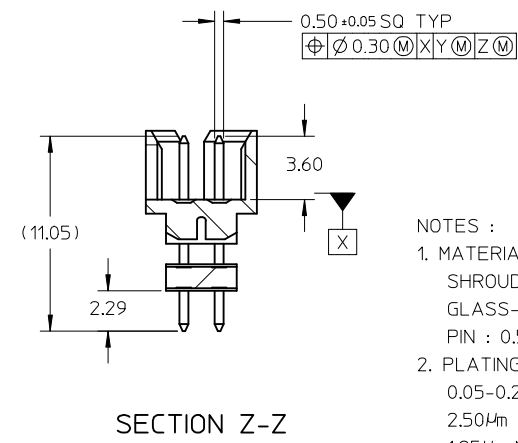
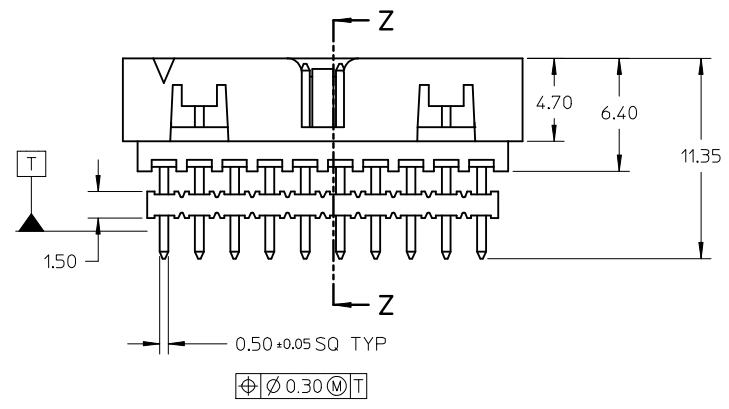
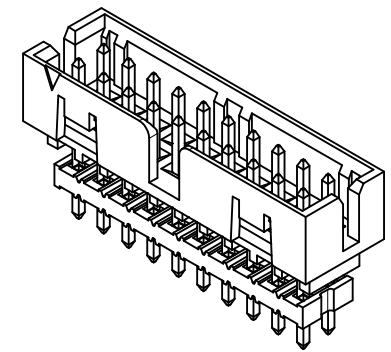
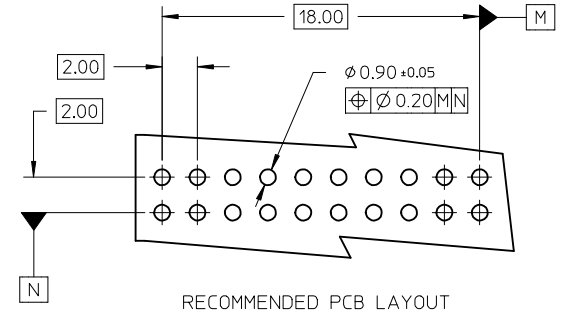
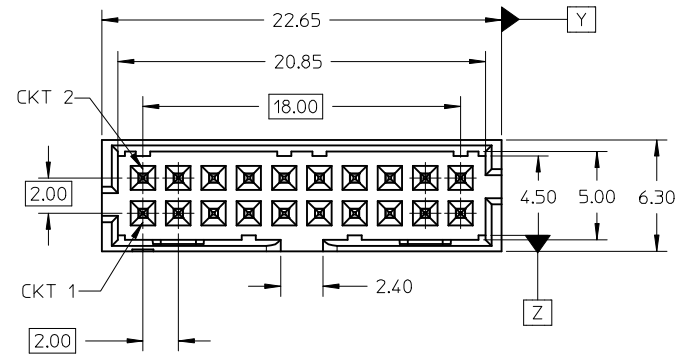
|            |     |
|------------|-----|
| P/N        | CKT |
| 78014-2001 | 20  |



- NOTES :
- MATERIALS :  
SHROUDED AND WAFER HOUSING : NYLON 46, GLASS-FILLED, UL94V-0, COLOUR BLACK.  
PIN : 0.50MM SQUARE, COPPER ALLOY.
  - PLATING :  
0.05-0.25 $\mu$ m GOLD AT CONTACT AREA AND 2.50 $\mu$ m MIN TIN AT SOLDER TAIL AREA OVER 1.25 $\mu$ m MIN NICKEL OVERALL.
  - PACKAGING : TRAY.
  - PIN PUSHOUT FORCE : 0.85KG MIN AT EITHER DIRECTION.
  - PRODUCTION SPECIFICATION : PS-87831-027
  - RECOMMENDED PCB THICKNESS IS 1.60 $\pm$ 0.10mm.

|  |   |  |                           |                            |                              |   |   |                        |  |  |
|--|---|--|---------------------------|----------------------------|------------------------------|---|---|------------------------|--|--|
| REVISED OVERALL LENGTH<br>EC NO: S2014-0098<br>DRWN:ATSEE 2013/07/23<br>CHKD:FANNYWONG 2013/10/28<br>APPR:LBLEE 2014/01/13 | QUALITY SYMBOLS<br>$\nabla_A=0$<br>$\nabla_C=0$<br>$\nabla_P=0$ | GENERAL TOLERANCES (UNLESS SPECIFIED)                |                           | DIMENSION STYLE<br>MM ONLY |                              | SCALE<br>NTS  | DESIGN UNITS<br>METRIC  | THIRD ANGLE PROJECTION |  |  |
|  |   |  | mm                        | INCH                       | DRAWN BY<br>ATSEE            | DATE<br>2013/07/23  | TITLE<br>ASSEMBLY<br>MGRID SHROUDED HEADER<br>DUAL ROW THROUGH HOLE |                        |  |  |
|  |   | 4 PLACES   | $\pm$ ---                 | $\pm$ ---                  | CHECKED BY<br>FANNYWONG      | DATE<br>2013/10/28  |   |                        |  |  |
|  |   | 3 PLACES   | $\pm$ ---                 | $\pm$ ---                  | APPROVED BY<br>LBLEE         | DATE<br>2014/01/13  |   |                        |  |  |
|  | ANGULAR $\pm 3^\circ$   |  | MATERIAL NO.<br>SEE TABLE |                            | DOCUMENT NO.<br>SD-78014-020 |   | SHEET NO.<br>1 OF 1   |                        |  |  |
| A  | REV   | DRAFT WHERE APPLICABLE MUST REMAIN WITHIN DIMENSIONS |                           | SIZE<br>A3                 |                              | THIS DRAWING CONTAINS INFORMATION THAT IS PROPRIETARY TO MOLEX INCORPORATED AND SHOULD NOT BE USED WITHOUT WRITTEN PERMISSION |   |                        |  |  |

|            |     |
|------------|-----|
| P/N        | CKT |
| 78014-2001 | 20  |



- NOTES :
- MATERIALS :  
SHROUDED AND WAFER HOUSING : NYLON 46, GLASS-FILLED, UL94V-0, COLOUR BLACK.  
PIN : 0.50MM SQUARE, COPPER ALLOY.
  - PLATING :  
0.05-0.25 $\mu$ m GOLD AT CONTACT AREA AND 2.50 $\mu$ m MIN TIN AT SOLDER TAIL AREA OVER 1.25 $\mu$ m MIN NICKEL OVERALL.
  - PACKAGING : TRAY.
  - PIN PUSHOUT FORCE : 0.85KG MIN AT EITHER DIRECTION.
  - PRODUCTION SPECIFICATION : PS-87831-027
  - RECOMMENDED PCB THICKNESS IS 1.60 $\pm$ 0.10mm.

|   |  |                                       |              |                            |                         |                    |   |                        |  |        |
|---|--|---------------------------------------|--------------|----------------------------|-------------------------|--------------------|---|------------------------|--|--------|
| REVISED OVERALL LENGTH<br>EC NO: S2014-0098<br>DRW: ATSEE 2013/07/23<br>CHKD: FANNYWONG 2013/10/28<br>APPR: LBLEE 2014/01/13  | QUALITY SYMBOLS<br>$F_A=0$<br>$F_G=0$<br>$F_P=0$     | GENERAL TOLERANCES (UNLESS SPECIFIED) |              | DIMENSION STYLE<br>MM ONLY |                         | SCALE<br>NTS       | DESIGN UNITS<br>METRIC  | THIRD ANGLE PROJECTION |  |        |
|   |  |                                       | mm           | INCH                       | DRAWN BY<br>ATSEE       | DATE<br>2013/07/23 | TITLE<br>ASSEMBLY<br>MGRID SHROUDED HEADER<br>DUAL ROW THROUGH HOLE |                        |  |        |
|   |  | 4 PLACES                              | $\pm$ ---    | $\pm$ ---                  | CHECKED BY<br>FANNYWONG | DATE<br>2013/10/28 |   |                        |  |        |
|   |  | 3 PLACES                              | $\pm$ ---    | $\pm$ ---                  | APPROVED BY<br>LBLEE    | DATE<br>2014/01/13 |   |                        |  |        |
|   | ANGULAR $\pm 3^\circ$                                |                                       | MATERIAL NO. | DOCUMENT NO.               |                         | SHEET NO.          |   |                        |  |        |
| A   | DRAFT WHERE APPLICABLE MUST REMAIN WITHIN DIMENSIONS |                                       | SIZE<br>A3   | SEE TABLE                  |                         |                    |   | SD-78014-020           |  | 1 OF 1 |
| THIS DRAWING CONTAINS INFORMATION THAT IS PROPRIETARY TO MOLEX INCORPORATED AND SHOULD NOT BE USED WITHOUT WRITTEN PERMISSION |  |                                       |              |                            |                         |                    |   |                        |  |        |