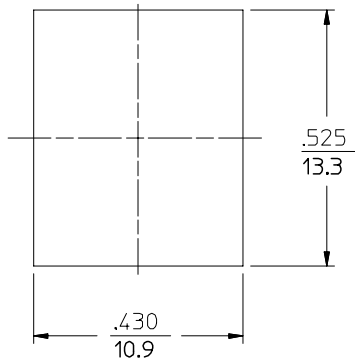
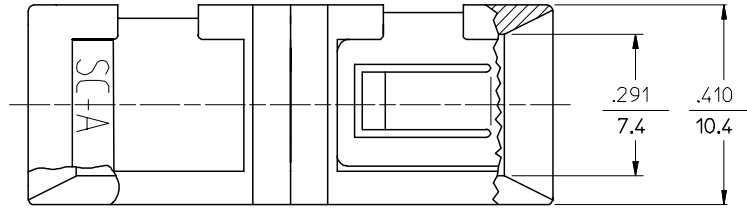
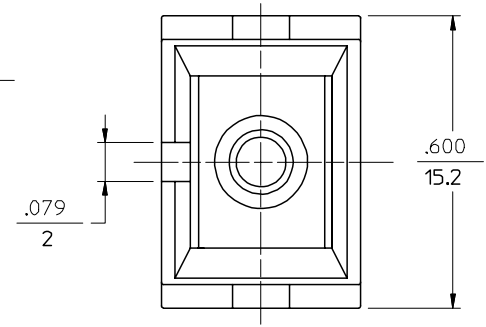
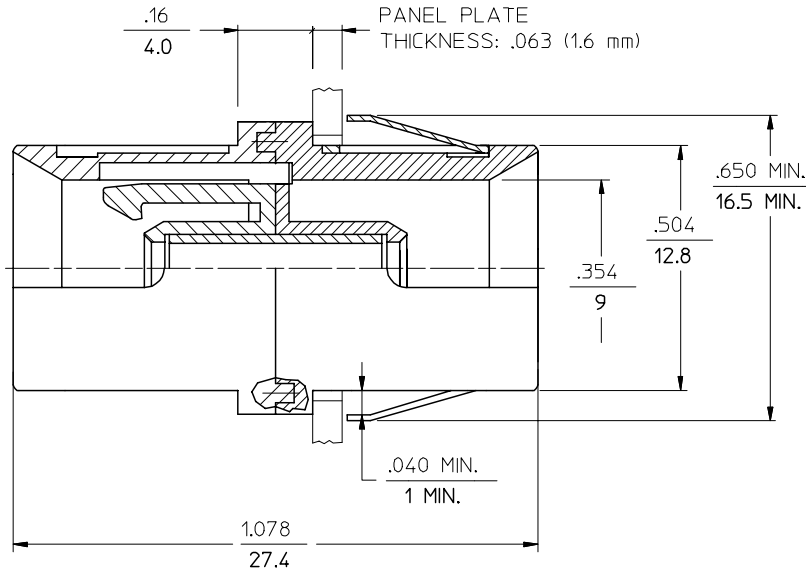


P/N OF ADAPTER	MATERIAL SPLIT SLEEVE	COLOR OF ADAPTER
106170-2000	CERAMIC	BLACK
106171-2000	PHOSPHOR BRONZE	
106170-2020	CERAMIC	GREEN
106171-2020	PHOSPHOR BRONZE	
106170-2030	CERAMIC	RED
106171-2030	PHOSPHOR BRONZE	



RECOMMENDED MOUNTING HOLE



NOTES:
1. DUST CAPS ARE NOT SHOWN BUT INCLUDED.

ENTER DESCRIPTION EC NO: MF2006-0237 DRWN:PGIBLIN CHKD: APPR:IGUMIN 2005/11/29 2005/11/29 2005/11/29	QUALITY SYMBOLS ▽=0 ▽=0	GENERAL TOLERANCES (UNLESS SPECIFIED)		DIMENSION STYLE	SCALE	DESIGN UNITS	THIRD ANGLE PROJECTION	
		mm	INCH	IN/MM	4:1	INCH		
		4 PLACES ±---	±---	DRAWN BY	DATE	TITLE		
		3 PLACES ±---	±---	RPACIFICI	2005/10/13	BSC-2 BACK PANEL ADAPTER		
2 PLACES ±---	±---	CHECKED BY	DATE	APPROVED BY				
1 PLACE ±---	±---	ANGULAR ±1/2°		DATE		MOLEX INCORPORATED		
DRAFT WHERE APPLICABLE MUST REMAIN WITHIN DIMENSIONS		MATERIAL NO.	DOCUMENT NO.		SHEET NO.			
		SEE TABLE	SD-106170-2000		1 OF 01			
		THIS DRAWING CONTAINS INFORMATION THAT IS PROPRIETARY TO MOLEX INCORPORATED AND SHOULD NOT BE USED WITHOUT WRITTEN PERMISSION						