

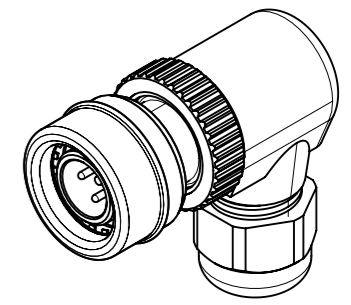
NOTES :

VOLTAGE RATING : 4POLE - 250V AC/DC
 5POLE - 30V AC / 36V DC

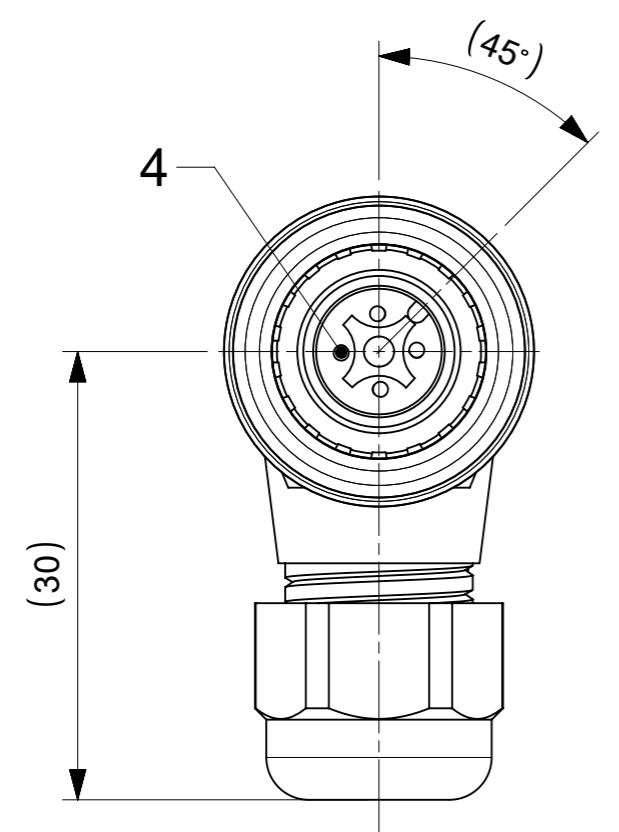
CURRENT RATING : 4AMPS

IP RATING : IP67/68/69K

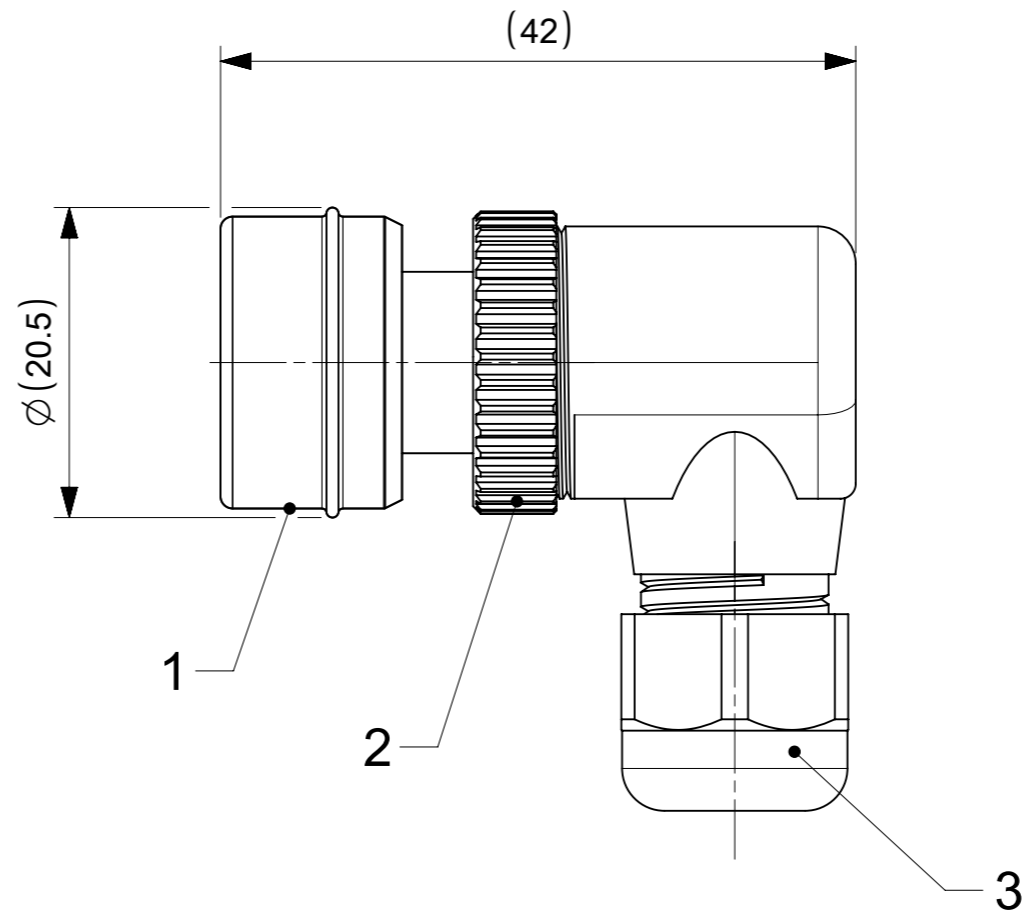
OPERATING TEMPERATURE : -25°C TO +90°C



SCALE 1:1



VIEW FROM THE FRONT SIDE



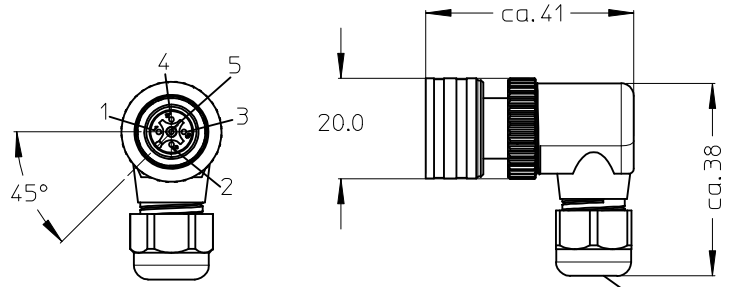
BOM

ITEM	QTY.	DESCRIPTION	MATERIAL	COLOR/FINISH
1	1	ULTRALOCK ASSEMBLY 4P/5P	-	-
2	1	M12 PG7 90° ENDSLEEVE	PA	BLACK
3	1	M12 PG7 NUT	PA	BLACK
4	4/5	MALE CONTACT	BRASS	Ni-PLATED

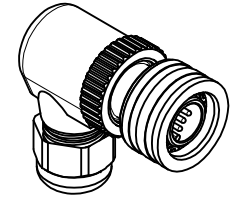
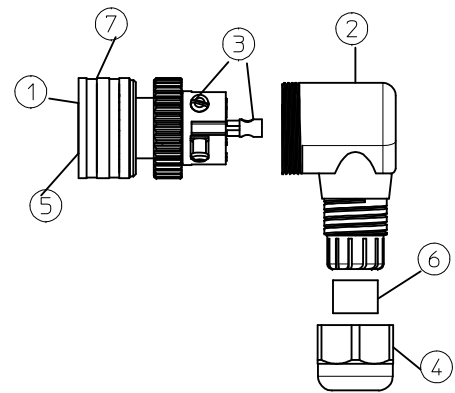
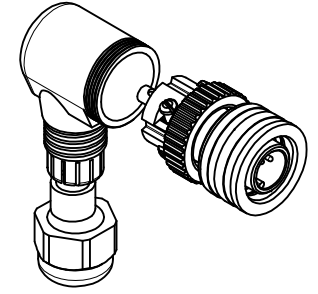
PART LIST

MOLEX P/N	ENG No.	POLES
1200850007	WA4007-31	4
1200850008	WA5007-31	5

FUNCTIONAL SYMBOLS $\nabla_A = 0$ $\nabla_E = 0$ $\nabla_V = 0$	THIS DRAWING CONTAINS INFORMATION THAT IS PROPRIETARY TO MOLEX ELECTRONIC TECHNOLOGIES, LLC AND SHOULD NOT BE USED WITHOUT WRITTEN PERMISSION	SCALE 2:1	CURRENT REV DESC:					
	DIMENSION UNITS mm	GENERAL TOLERANCES (UNLESS SPECIFIED)	EC NO: 703182					
	ANGULAR TOL ± 1.0°	4 PLACES ±	DRWN: SSM	2022/03/09				
	DIVISIONAL SYMBOLS	3 PLACES ±	CHK'D: RSILLER	2022/04/14				
2 PLACES ± 0.05	1 PLACE ± 0.1	APPR: RSILLER	2022/04/14	PRODUCT CUSTOMER DRAWING				
0 PLACES ± 0.5	DRAFT WHERE APPLICABLE MUST REMAIN WITHIN DIMENSIONS	INITIAL REVISION:	DRWN: SSM	2022/03/09	DOCUMENT NUMBER	DOC TYPE	DOC PART	REVISION
THIRD ANGLE PROJECTION	DRAWING	SERIES	MATERIAL NUMBER	CUSTOMER	1200850007	PSD	000	A
A3-SIZE	120085	SEE PART LIST	GENERAL MARKET	1 OF 1				



CABLE RANGE PG7
 Ø2,5 - Ø6,5mm



POL	MATERIAL NO.	ENGINEERING NO.
4	1200850007	WA4007-31
5	1200850008	WA5007-31

ITEM	COMPONENT	MATERIAL	FINISH
1	INSERT	PA	BLACK
2	HOUSING	PA	BLACK
3	CONTACT	BRASS / GOLD	CuZn Ni/ Au
4	PG NUT	PA	BLACK
5	O-RING	VITON	RED
6	GROMMET	CR	BLACK
7	ULTRA-LOCK	BRASS /ST.STEEL	NICKEL PLATED

VOLTAGE RATING: 4 POLE: 250 VAC/VDC
 5 POLE: 30 VAC/36 VDC

AMPERAGE RATING: 4A

PROTECTION CLASS: IP 67/68/69K

OPERATING TEMPERATURE: -25°C / 90°C

UL CERTIFICATION: FILE NO. E152210

CSA CERTIFICATIONS: FILE NO. LR6837

ENTER DESCRIPTION EC NO: IPG2013-2053 DRWN: BRAUCH 2013/06/28 CHKD: APPR: BURGER 2013/06/28	QUALITY SYMBOLS	DESCRIPTION

GENERAL TOLERANCES (UNLESS SPECIFIED)	
	mm INCH
4 PLACES	± --- ± ---
3 PLACES	± --- ± ---
2 PLACES	± 0.05 ± ---
1 PLACE	± 0.1 ± ---
0 PLACE	± --- ± ---
ANGULAR ± --- °	

DRAFT WHERE APPLICABLE MUST REMAIN WITHIN DIMENSIONS

DIMENSION STYLE	
MM ONLY	
DRAWN BY	DATE
NSTAUDIGEL	2010/02/02
CHECKED BY	DATE
APPROVED BY	DATE
FPACHER	2010/02/05
MATERIAL NO.	

SCALE	DESIGN UNITS	THIRD ANGLE PROJECTION
1:1	METRIC	
TITLE		
FA U12 XP AC MA RA PG7 BK BRA		
molex		
DOCUMENT NO.	SHEET NO.	
SD-120085-003	1 OF 1	

THIS DRAWING CONTAINS INFORMATION THAT IS PROPRIETARY TO MOLEX INCORPORATED AND SHOULD NOT BE USED WITHOUT WRITTEN PERMISSION