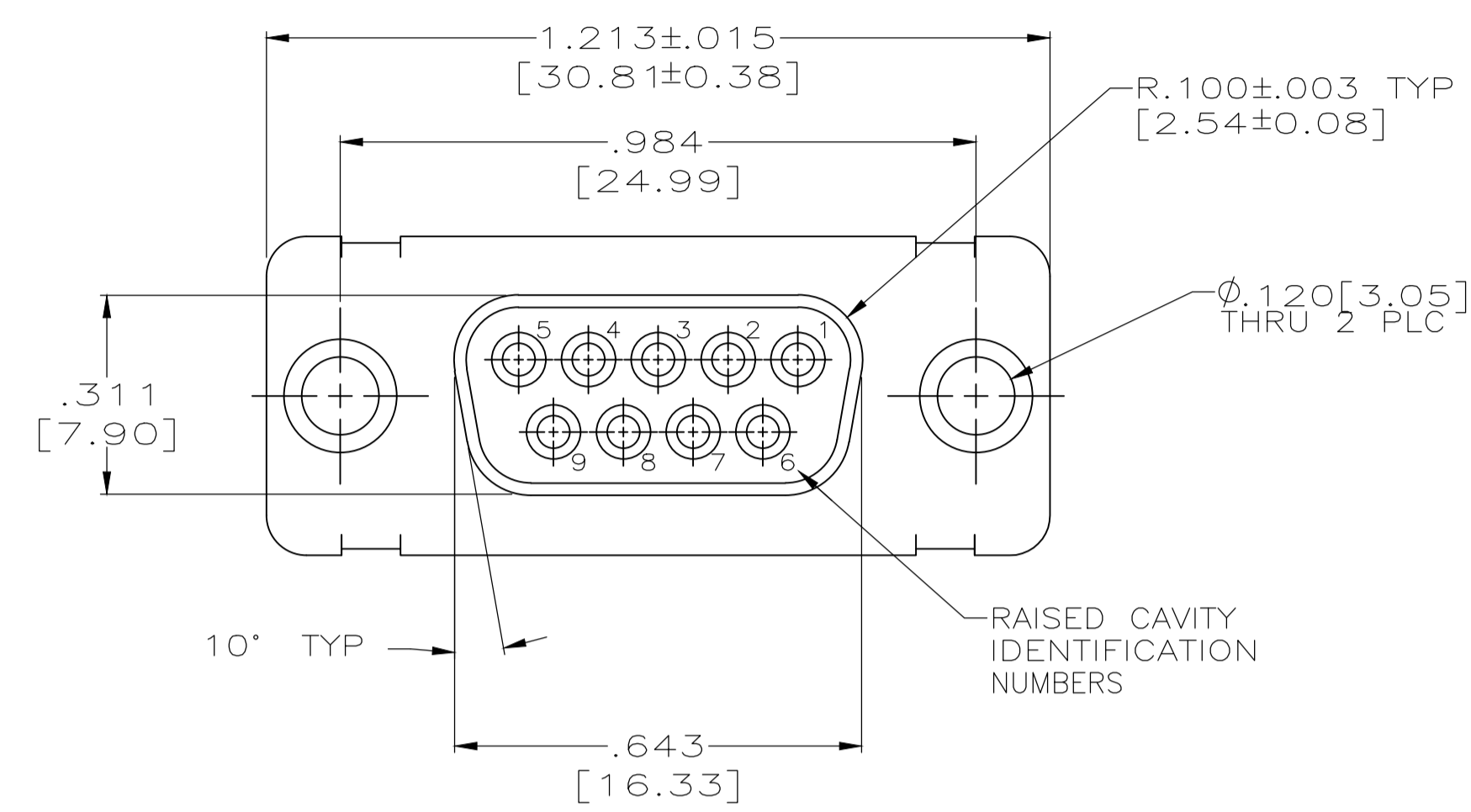
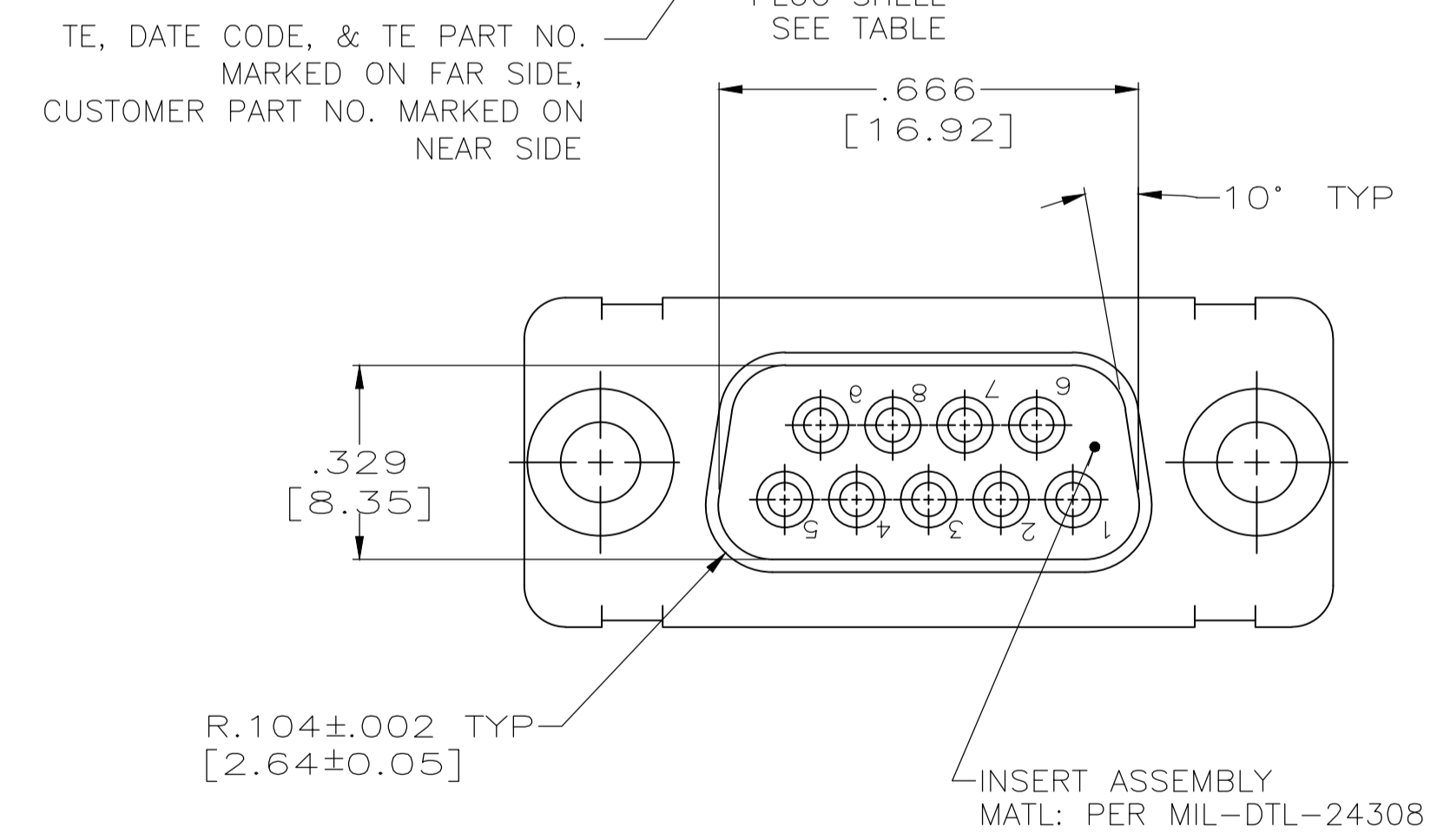
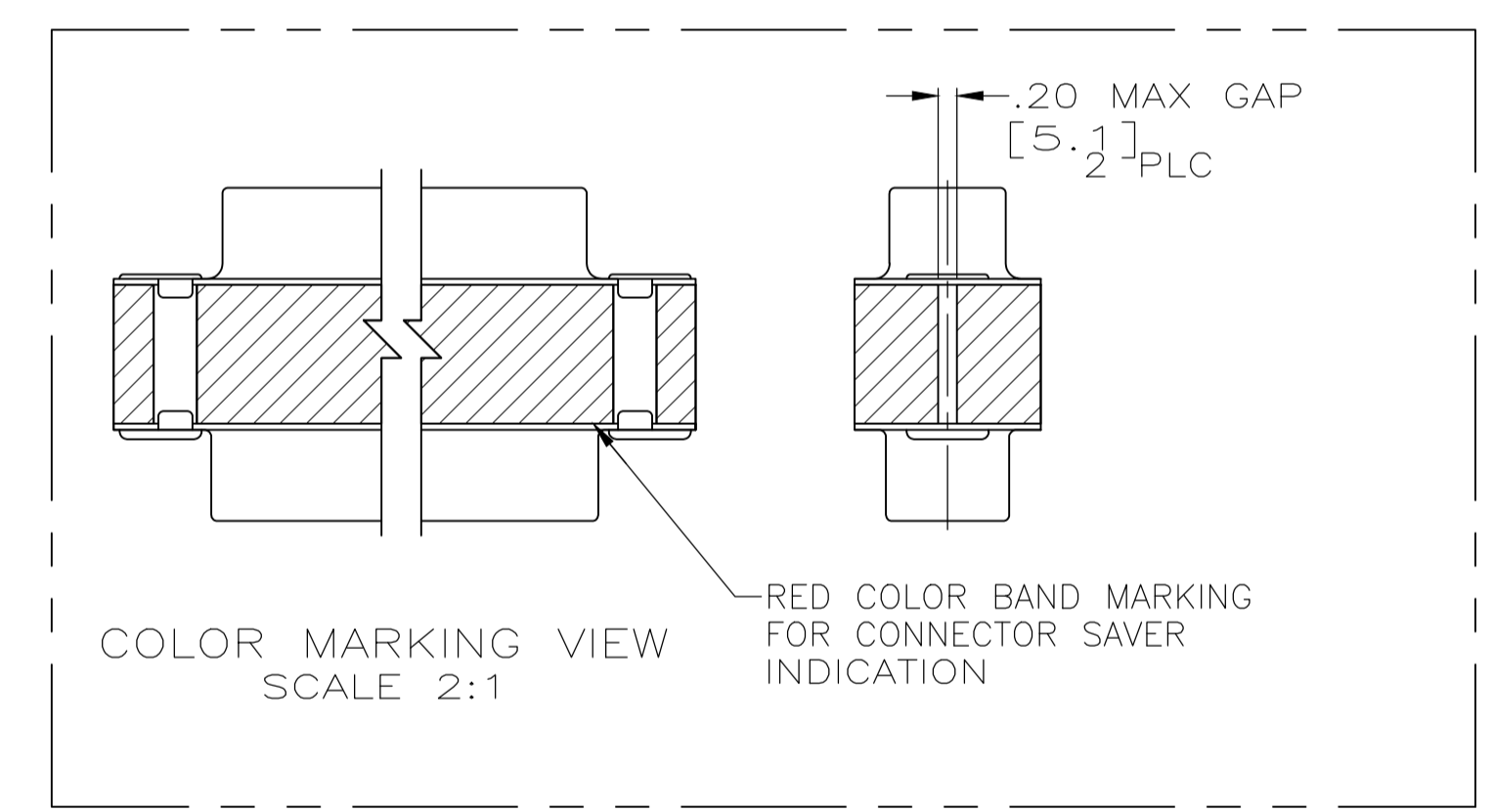
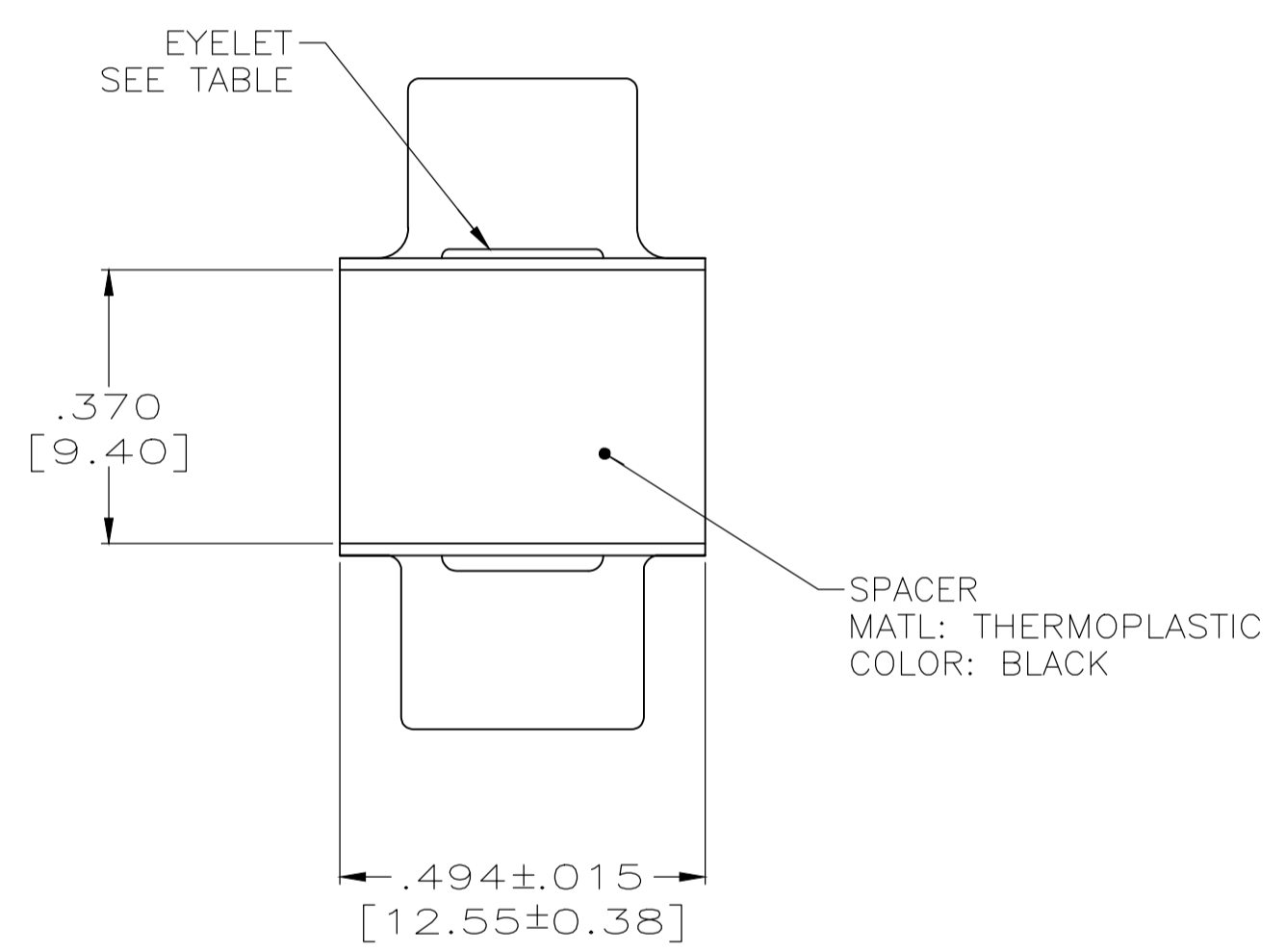
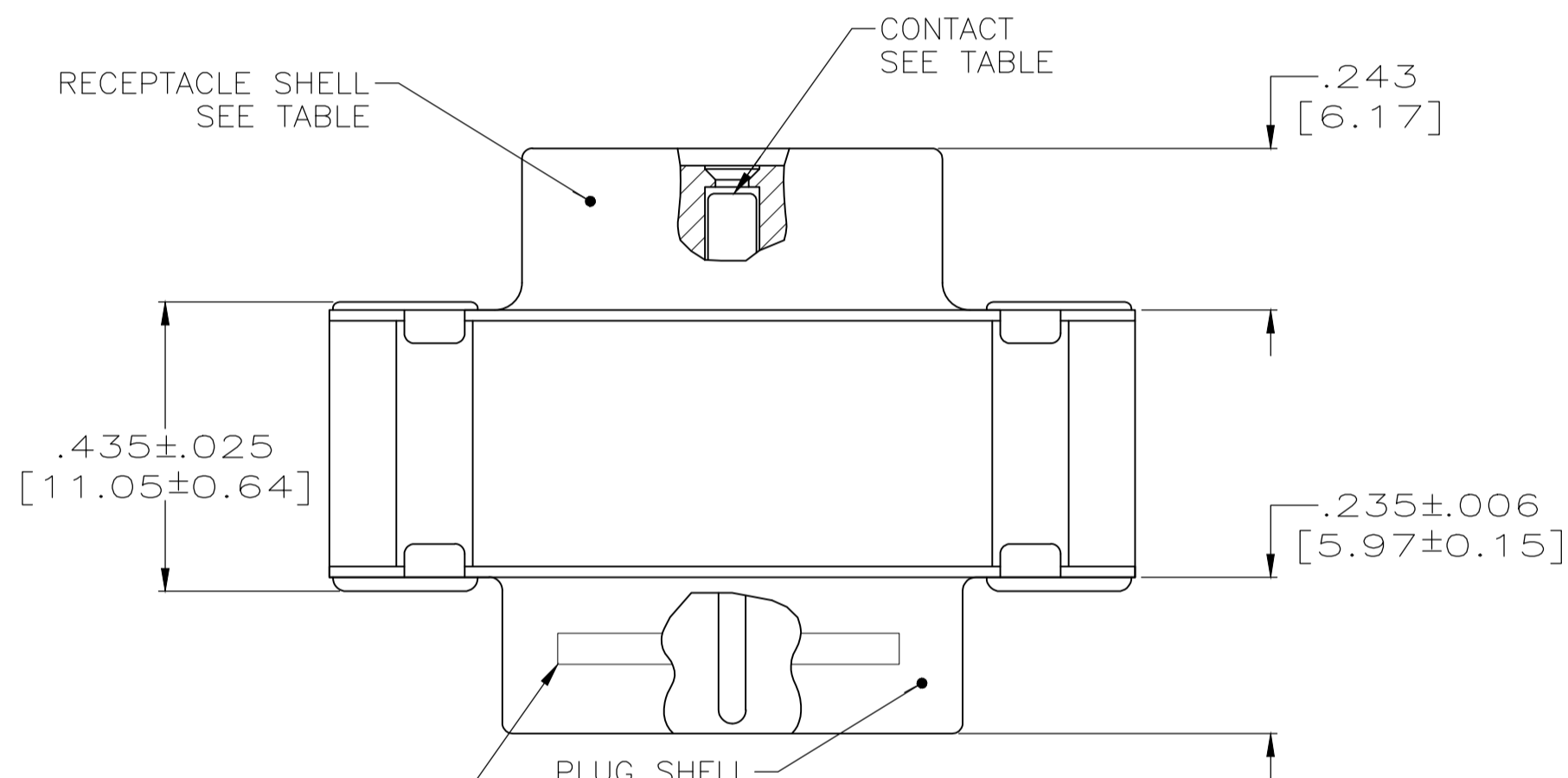


REVISIONS					
P	LTR	DESCRIPTION	DATE	DMN	APVD
G		REV PER ECO 19-019228	4-16-20	CT	DM



1. CONTACTS INCLUDED IN ASSEMBLY.
- △ CONTACT
BODY MATL: BERYLLIUM COPPER PER ASTM-B-197.
BODY FINISH: PLATED GOLD, .000050 MIN THK PER MIL-G-45204 OVER NICKEL, .000050 MIN THK PER QQ-N-290.
HOOD MATL: STAINLESS STEEL PER ASTM-A-167.
HOOD FINISH: PASSIVATED PER ASTM-A-380
 - △ MATL: BRASS PER ASTM-B-36.
 - △ FINISH: PLATED GOLD, .000050 MIN THK PER MIL-G-45204 OVER COPPER, .000100 MIN THK PER MIL-C-14550.



△ 3 △ 4	△ 3 △ 4	△ 2	4U884 SOCN R10002677-0001	1218303-2
△ 3 △ 4	△ 3 △ 4	△ 2	(1J02-001)	1218303-1
EYELET	SHELLS	CONTACT	CUSTOMER P/N	PART NO.
THIS DRAWING IS A CONTROLLED DOCUMENT.		DIN T. THOMPSON 18AUG98	TE Connectivity	
DIMENSIONS: INCHES		CHK J. NORTON 18AUG98		
TOLERANCES UNLESS OTHERWISE SPECIFIED:		APVD J. NORTON 18AUG98	NAME AMPLIMITE CONNECTOR SAVER	
0 PLC ± -		PRODUCT SPEC	SERIES 109, SIZE 1, 9 POS	
1 PLC ± -		APPLICATION SPEC	NON-REMOVABLE CONTACTS	
2 PLC ± -		SIZE	SCALE 4:1	
3 PLC ± .005(0.13)		WEIGHT	SHEET 1 OF 1	
4 PLC ± -		0.000000	REV G	
ANGLES ± -		A1 00779	DRAWING NO. 1218303	
MATERIAL		CUSTOMER DRAWING	SCALE 4:1 SHEET 1 OF 1 REV G	