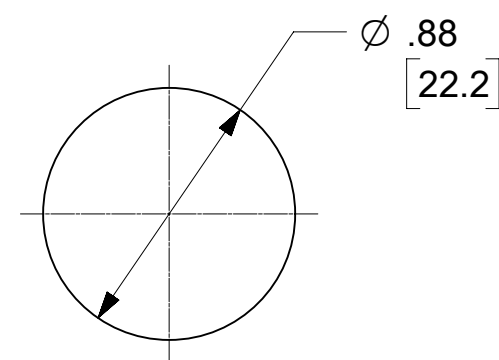
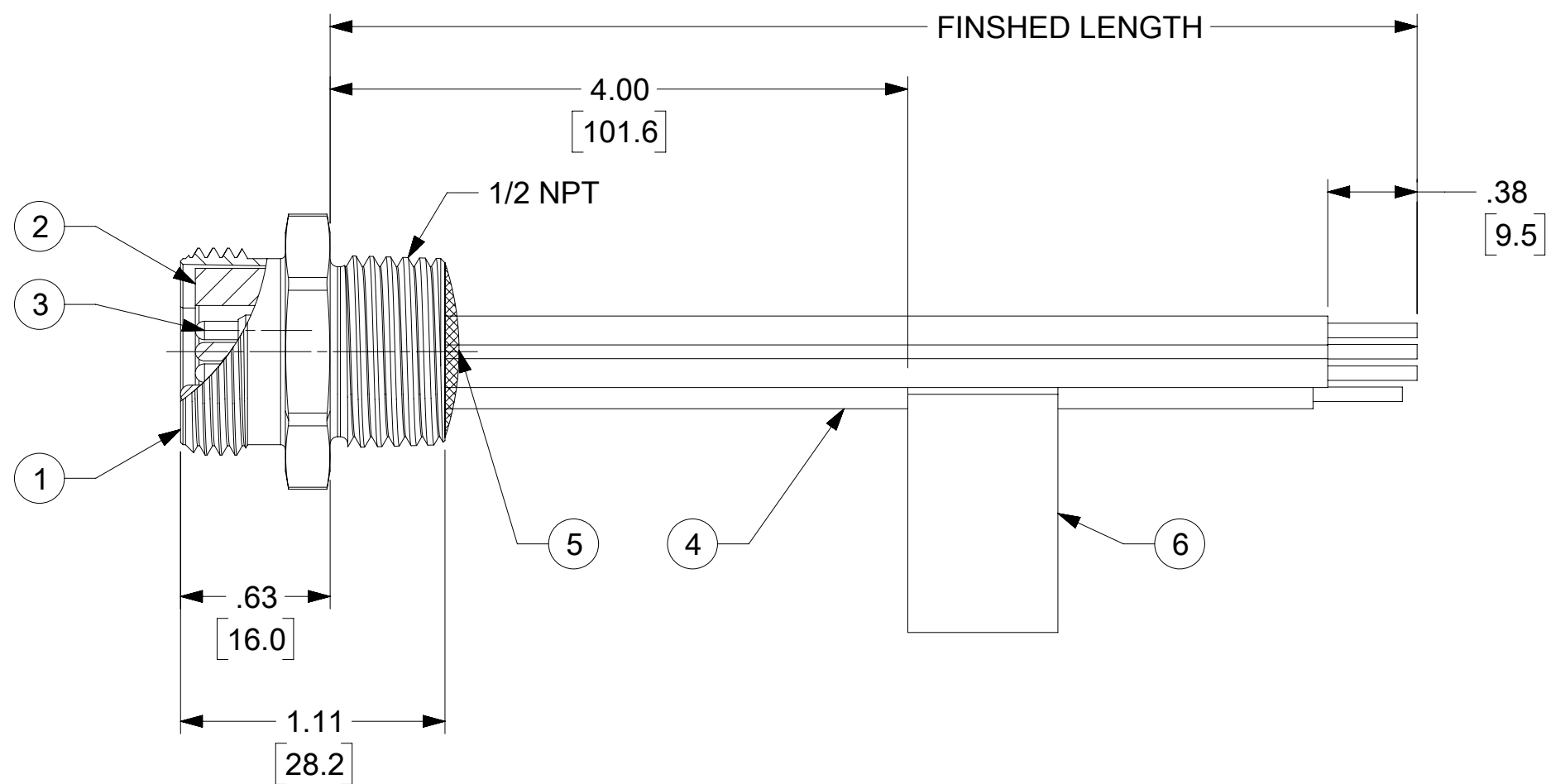
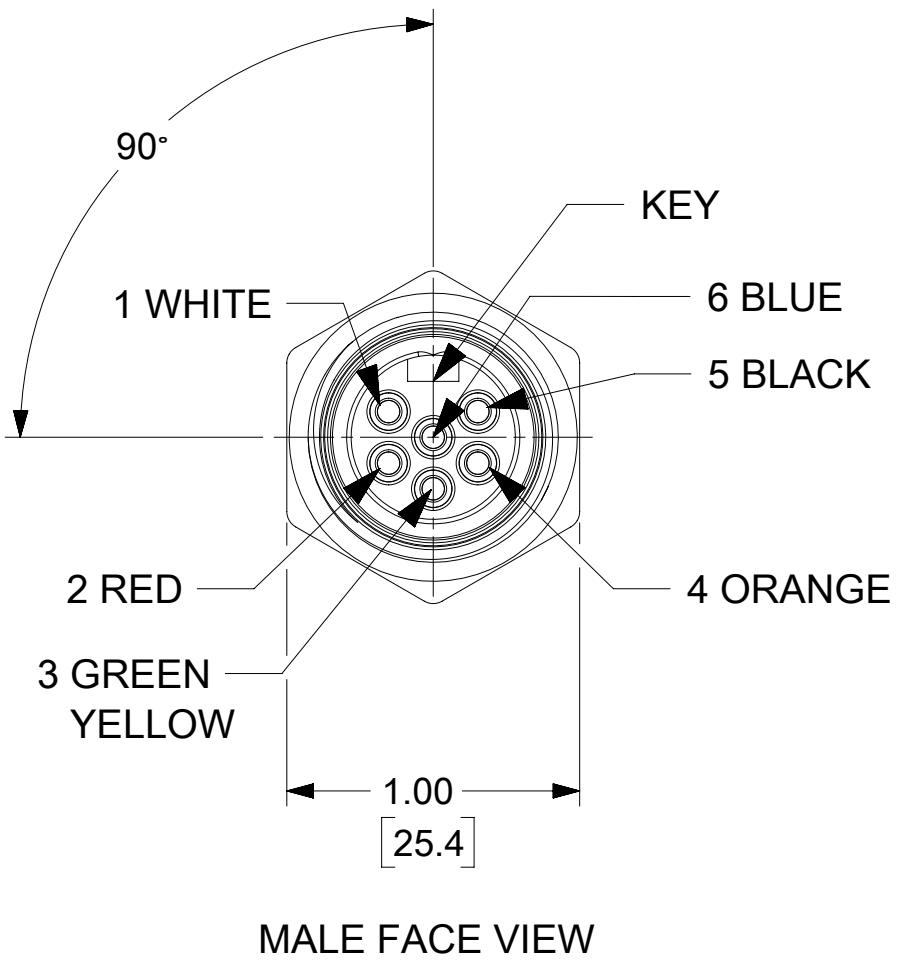
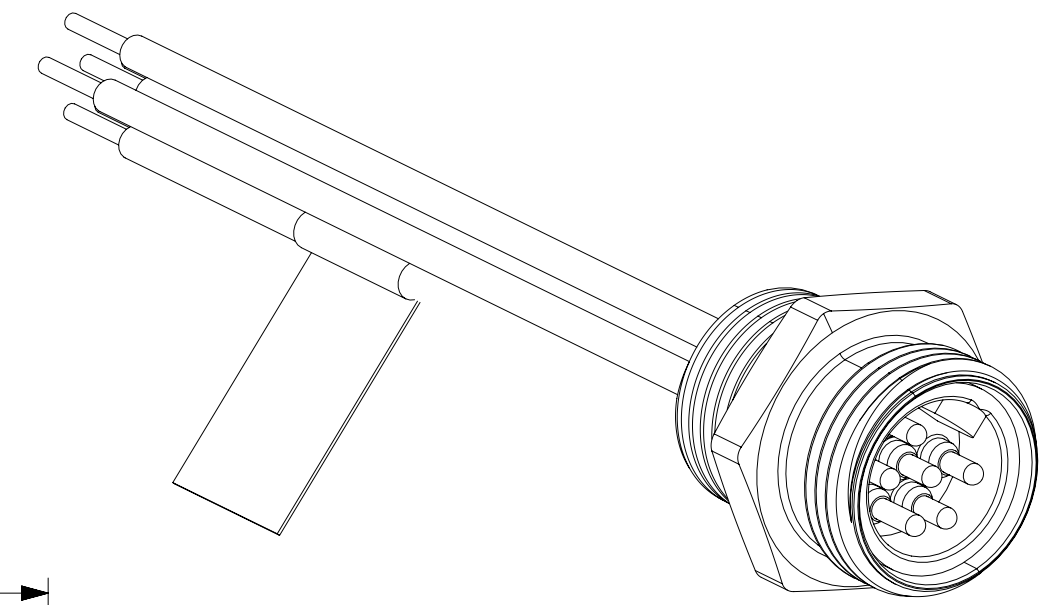


PART NO.	ENGINEERING NO.	FINISHED LENGTH
1300130593	1R6006A20A120	12 IN (0.30M)
1300130603	1R6006A20F030	3 FT (0.90M)
1300130017	1R6006A20M020	2M (6 FT, 7 IN)

CABLE LENGTH TOLERANCES
 <.3M [1FT]: +19mm-0 [+.75in-0]
 .3 - .9M [1 - 3FT]: +44.5mm-0 [+1.75in-0]
 .9 - 1.8M [3 - 6FT]: +55.6mm-0 [+2.19in-0]
 1.8 - 3.7M [6 - 12FT]: +88.9mm-0 [+3.50in-0]
 3.7 - 7.3M [12 - 24FT]: +165.1mm-0 [+6.50in-0]
 7.3-14.6M [24 - 48FT]: +317.5mm-0 [+12.50in-0]
 14.6 - 30.5M [48-100FT]: +622.3mm-0 [+24.50in-0]
 OVER 30M [100FT] +2% OF FINISHED LENGTH



- NOTES:
1. MATERIAL: AS NOTED
 2. FINISH: AS NOTED
 3. ELECTRICAL:
VOLTAGE: 400V PER IEC60664
600V PER UL2238
CURRENT: 8A
 4. TEMP RATING: -20°C TO +105°C
 5. PROTECTION: IP67 (WHEN MATED)
 6. COUPLING THREAD: 7/8-16 UN
 7. UL RECOGNIZED FILE: E152210
CSA CERTIFIED: LR6837
 8. ALL DIMS ARE FOR REFERENCE UNLESS TOLERANCED OR NOTED OTHERWISE

PART NUMBER LEGEND

1R6006A20A120

LENGTH
 A060 = 6 IN
 A120 = 12 IN
 F060 = 6.0 FT
 M003 = 0.3 METERS
 M010 = 1.0 METERS
 M100 = 10.0 METERS

ITEM	DESCRIPTION	MATERIAL	FINISH
6	FLAG LABEL	VINYL	BLACK/YELLOW
5	POTTING MATERIAL	EPOXY	
4	WIRE #16 (UL 1015)	PVC INSULATION	SEE FACE VIEW
3	CONTACT PIN	Cu ALLOY	GOLD PLATED
2	INSERT	TPE	YELLOW
1	RECEPTACLE SHELL	ZINC (DIE-CAST)	BLACK E-COAT
ITEM	DESCRIPTION	MATERIAL	FINISH

FUNCTIONAL SYMBOLS	THIS DRAWING CONTAINS INFORMATION THAT IS PROPRIETARY TO MOLEX ELECTRONIC TECHNOLOGIES, LLC AND SHOULD NOT BE USED WITHOUT WRITTEN PERMISSION		CURRENT REV DESC:	
FA = 0	DIMENSION UNITS	SCALE		
FC = 0	INCH/MM	1:1		
FP = 0	GENERAL TOLERANCES (UNLESS SPECIFIED)			
DIVISIONAL SYMBOLS	4 PLACES	±	MM	INCH
	3 PLACES	±		
	2 PLACES	±		
	1 PLACE	±		
	0 PLACES	±		
	ANGULAR TOL	± °		
	DRAFT WHERE APPLICABLE MUST REMAIN WITHIN DIMENSIONS	THIRD ANGLE PROJECTION	DRAWING	SERIES
			C-SIZE	130013
			EC NO: 668276	2021/06/24
			DRWN: RSTONE	2021/07/08
			CHK'D: MZIELINSKI	2021/07/12
			APPR: BWOODMAN	
			INITIAL REVISION:	
			DRWN: RSTONE	2021/06/24
			APPR: BWOODMAN	2021/07/12
	DOCUMENT NUMBER	DOC TYPE	DOC PART	REVISION
	1300130017	PSD	000	A
	MATERIAL NUMBER	CUSTOMER	SHEET NUMBER	
	SEE P/N LEGEND	GENERAL MARKET	1 OF 1	