



# Product Change Notification

## TE Connectivity

**Product Change Notification:** PCN-22-136104

**PCN Date:** 15-APR-22

TE would like to inform you of the following change(s) to the listed TE Connectivity Product. In case of any further questions about this change(s), please contact your TE Connectivity Sales Engineer. Affected part, drawing and/or specification numbers are listed on the attached sheet(s).

**General Product Description:**

58 POS. CONNECTOR COVER 90 ASSY

**Description of Changes**

As a result of our continuous strive for product improvements, we hereby to inform you that there will be an improvement on sub component Cover PN 1452422-1 & 1452422-3 So we will be adding 3 ribs on the latch of cover part which improves the latch performance. Pls. refer the attachment.

**Other attachments:**

[CCD Sheet](#)

[PCN-22-136104](#)

**Reason for Changes:**

product improvement

**PCN Attributes:**

**Product Category:**

Caps/Covers And Cover Assemblies

**Kind of Change:**

Geometry

**Change Feature:**

Special Design Feature

**Potential Customer Impact:**

Product Requirement Improvement

**Remarks:**

**Estimated Dates:**

<b>Last Order Date</b> (Obsolete Parts Only):	<b>First Ship Date of Changed Items</b> (Changed Parts Only):
	04-JUN-2022
<b>Last Ship Date of Changed Items</b> (Obsolete Parts Only):	<b>Last Date for Mixed Shipments:</b> (Changed Parts Only):
	No Mixed Shipments
<b>Effectivity Date:</b>	<b>Date of First Samples:</b>

**Part Number(s) being Modified:**

Part Number	Part Discontinued per PCN	Customer Drawing	Customer Part Number	Alias Part Number(s)	Substitute Part Number	Substitute Alias Part Number(s)	Description Of Difference
<a href="#">1452421-1</a>	NO						

The documents listed below are being modified. Related parts that are not explicitly listed on this PCN are not being modified or discontinued as per the PCN. The Last Order Date, Last Ship Date, First Date to Ship Changed Parts and last date for Mixed Shipments apply only to parts explicitly listed on this PCN.

**Customer Drawing(s) Being Modified:**

Drawing Number	Related Part Number	Customer Part Number	Current Revision	New Revision
<a href="#">1452421</a>	1452421-1		E2	

**Part Number(s) being Modified:**

Part Number	Part Discontinued per PCN	Customer Drawing	Customer Part Number	Alias Part Number(s)	Substitute Part Number	Substitute Alias Part Number(s)	Description Of Difference
<a href="#">1452421-1</a>	NO						

**Part Number(s) being Modified:**

Part Number	Part Discontinued per PCN	Customer Drawing	Customer Part Number	Alias Part Number(s)	Substitute Part Number	Substitute Alias Part Number(s)	Description Of Difference
<a href="#">1452421-1</a>	NO						

The documents listed below are being modified. Related parts that are not explicitly listed on this PCN are not being modified or discontinued as per the PCN. The Last Order Date, Last Ship Date, First Date to Ship Changed Parts and last date for Mixed Shipments apply only to parts explicitly listed on this PCN.

**Customer Drawing(s) Being Modified:**

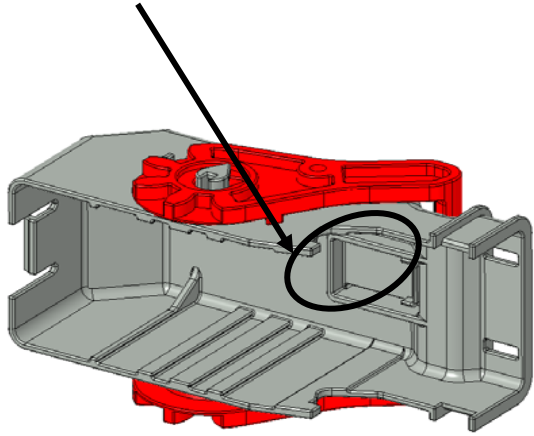
<b>Drawing Number</b>	<b>Related Part Number</b>	<b>Customer Part Number</b>	<b>Current Revision</b>	<b>New Revision</b>
<a href="#">1452421</a>	1452421-1		E2	

## Descriptive Sheet (Connector Change Communication)

Supplier	TE Connectivity AMP GmbH
Part Description:	58 POS. CONNECTOR COVER 90 ASSY ( 6 x MCP 2.8 / 52 x MCON 1.2mm )
Old Connector Part Numbers:	See below
New Connector Part Numbers:	See below
Reason for Design Change:	1. Addition of rib in Cover to have better latch performance
Design Change Details:	See below
Use boxes below to high light changes from old to new design.	
Reason for Design Change:	See below
Production Part Availability:	06.06.2022
PPAP Date:	
Applicable Device(s) if known:	-
Comments:	Modification on Component:1452422-1/-3. Change to Major revision.
<div style="border: 1px solid black; padding: 5px; width: fit-content; margin-bottom: 10px;">OLD:</div> <p><b>Ford:</b>                      <b>TE:</b>  <b>7C3T-14N003-BA - 1452421-1</b>  <b>BU5T-14N003-JA - 1452421-3</b></p>	<div style="border: 1px solid black; padding: 5px; width: fit-content; margin-bottom: 10px;">NEW:</div> <p><b>Ford:</b>                      <b>TE:</b>  <b>7C3T-14N003-<span style="color: red;">BB</span> - 1452421-1</b>  <b>BU5T-14N003-<span style="color: red;">JB</span> - 1452421-3</b></p>

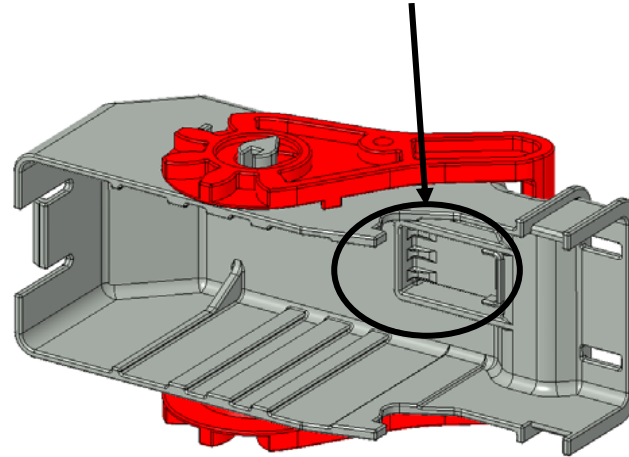
Old :

1. Existing Desing



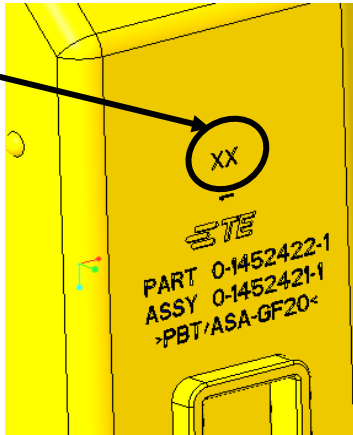
New :

Improved Design : Addition of rib in housing to have better force of connector latch



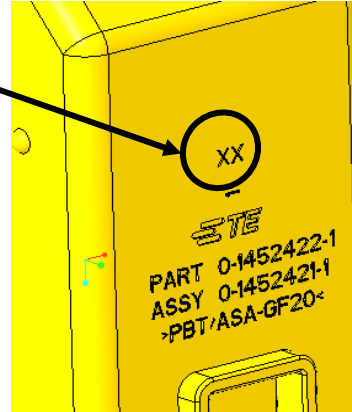
Old :

2. Existing Design



New :

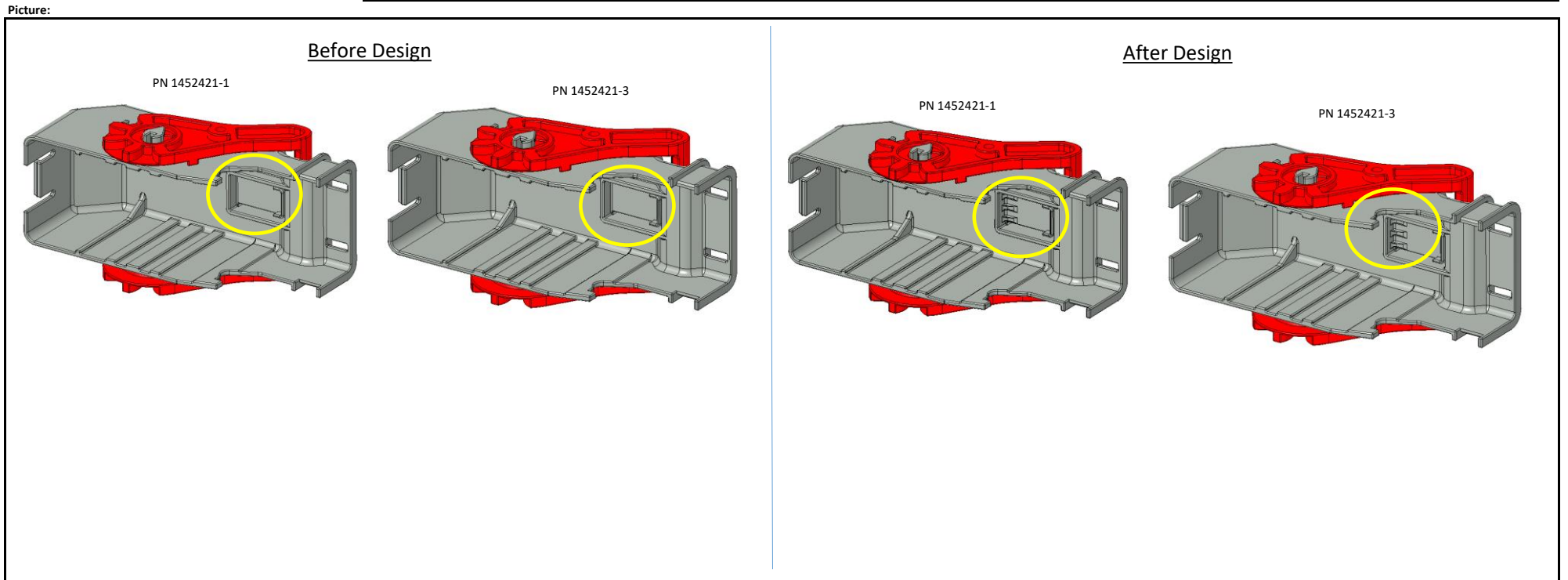
Revision Change



### PCN Description of Eng. Changes

PCN No.  
OEM / CAM informed  
Estimated First Date for samples

PCN-22-136104					
Yes					
	6/6/2022				



x	Potential Impact for Customer	x	Product Type	x	Change Type	x	Kind of Change	x	Change Feature	Remark / Free text
x	Product Requirement Improvement	x	CAPS/COVERS AND COVER ASSEMBLIES	x	Form, Fit, Function	x	Geometry	x	Special Design Feature	There will be an improvement on sub component Cover PN 1452422-1 & 1452422-3 So we will be adding 3 ribs on the latch of cover part which improves the latch performance.
						x	Drawing	x	Drawing adapted to part change	