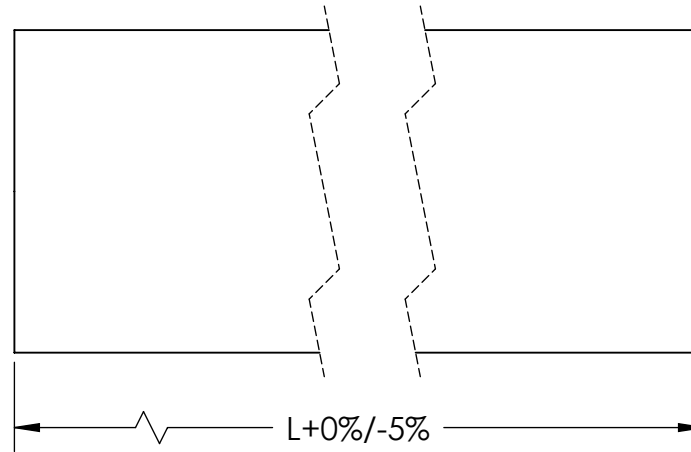
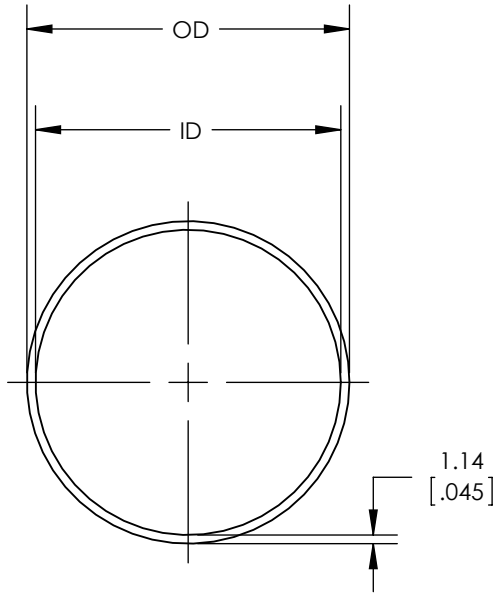


SW2014



Revision level			Revision Record	Changed	Date	Approved	Date
Drawing	State	Part					
00.0	Design Release	-	SEE ECN# 013437	RLV	5/05/2016	KAC	5/05/2016



P/N	TYPE	SIZE (in)	OD mm[in]	ID mm[in]	L (FT)
170-03203	BSHDWV1	1.00	27.69[1.090]	25.4[1.000]	50
170-03204	BSHDWV112	1.59	42.67[1.680]	40.39[1.590]	50
170-03205	BSHDWV2	2.07	54.86[2.160]	52.58[2.07]	50
170-03206	BSHDWV212	2.54	66.80[2.630]	64.52[2.540]	50
170-03207	BSHDWV3	3.34	87.12[3.430]	84.84[3.340]	25

Material
PA6
BLACK

Units: **millimeters**
Dimension without tolerances details to:
.xxx = ±.013
.xx = ±.13
.x = ±.3
None = ±.8
∠ = ±0.5°
Dimension Formatted mm/[in]

The copyright of this drawing is reserved by HellermannTyton. It is issued on condition that it is not reproduced, copied, or disclosed to a third party, either wholly or in part, without the consent of HellermannTyton.

Drawn RLV 5/05/2016
Approved KAC 5/05/2016
HellermannTyton
North America
Email: corp@htamericas.com
Web: www.hellermann.tyton.com

Article/Type-No SEE CHART
Title **WOVEN SLEEVE**
Drawing-No 16-0353-001-CSU - : Phase
Scale 1:1
Project Number PRP 16-0353
Format AH
Sheet 1/1