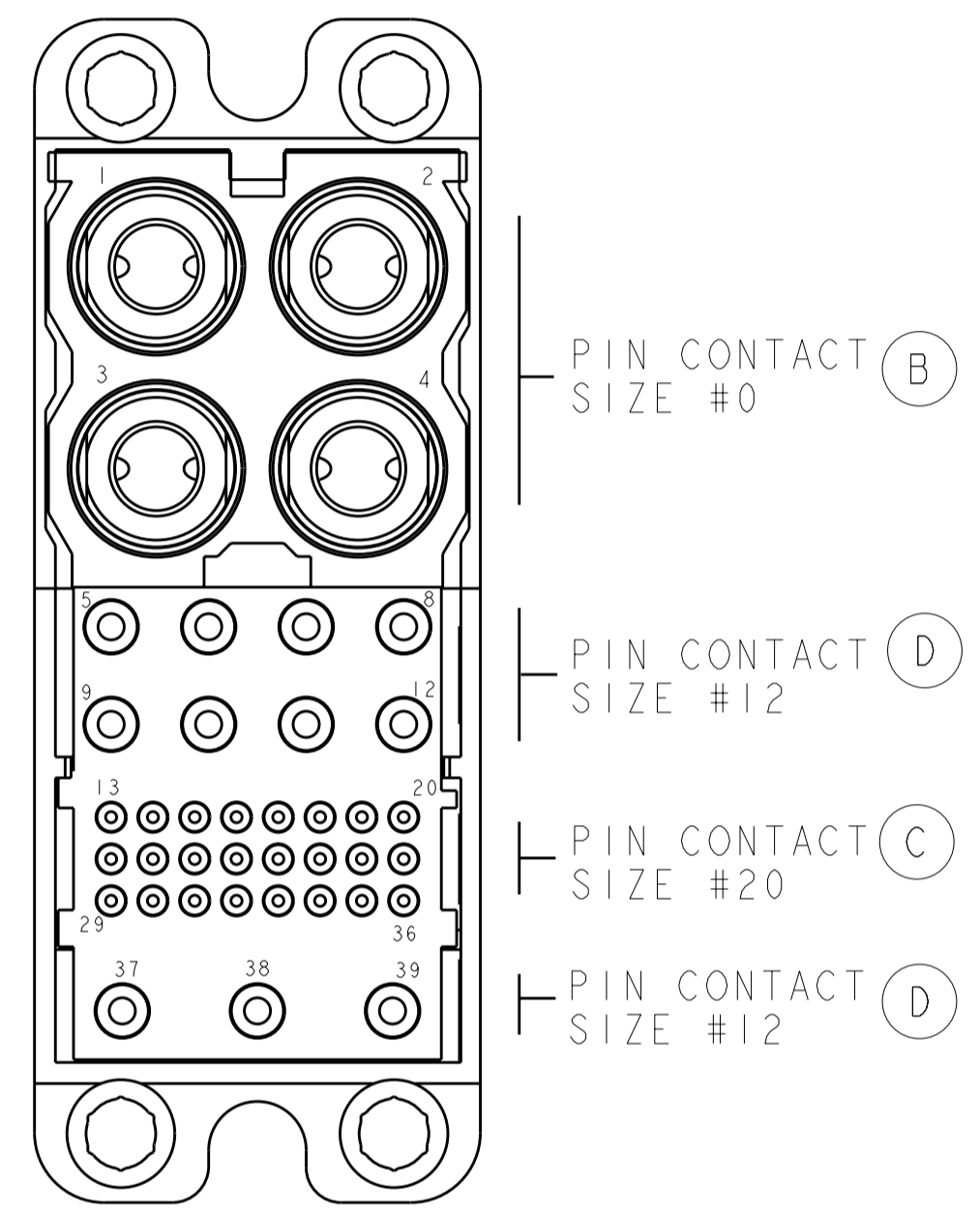
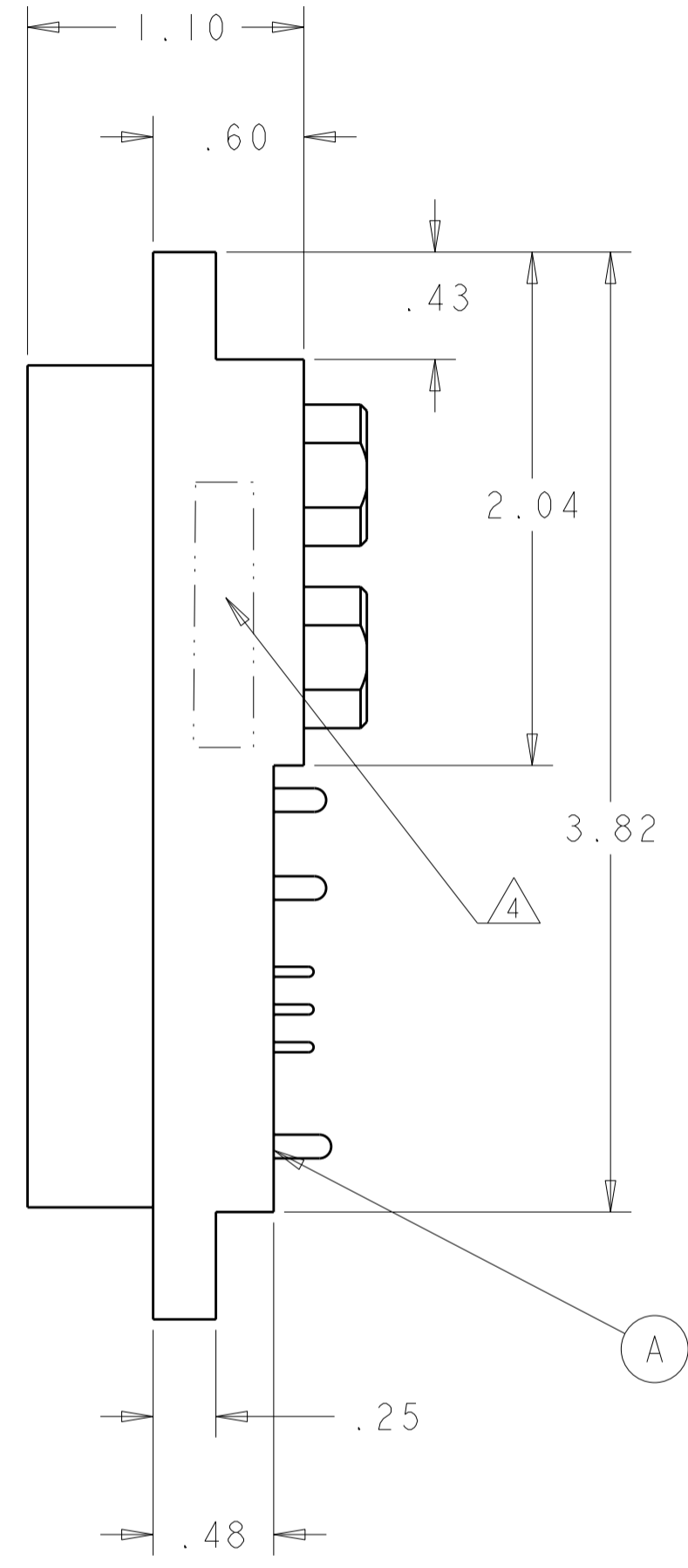
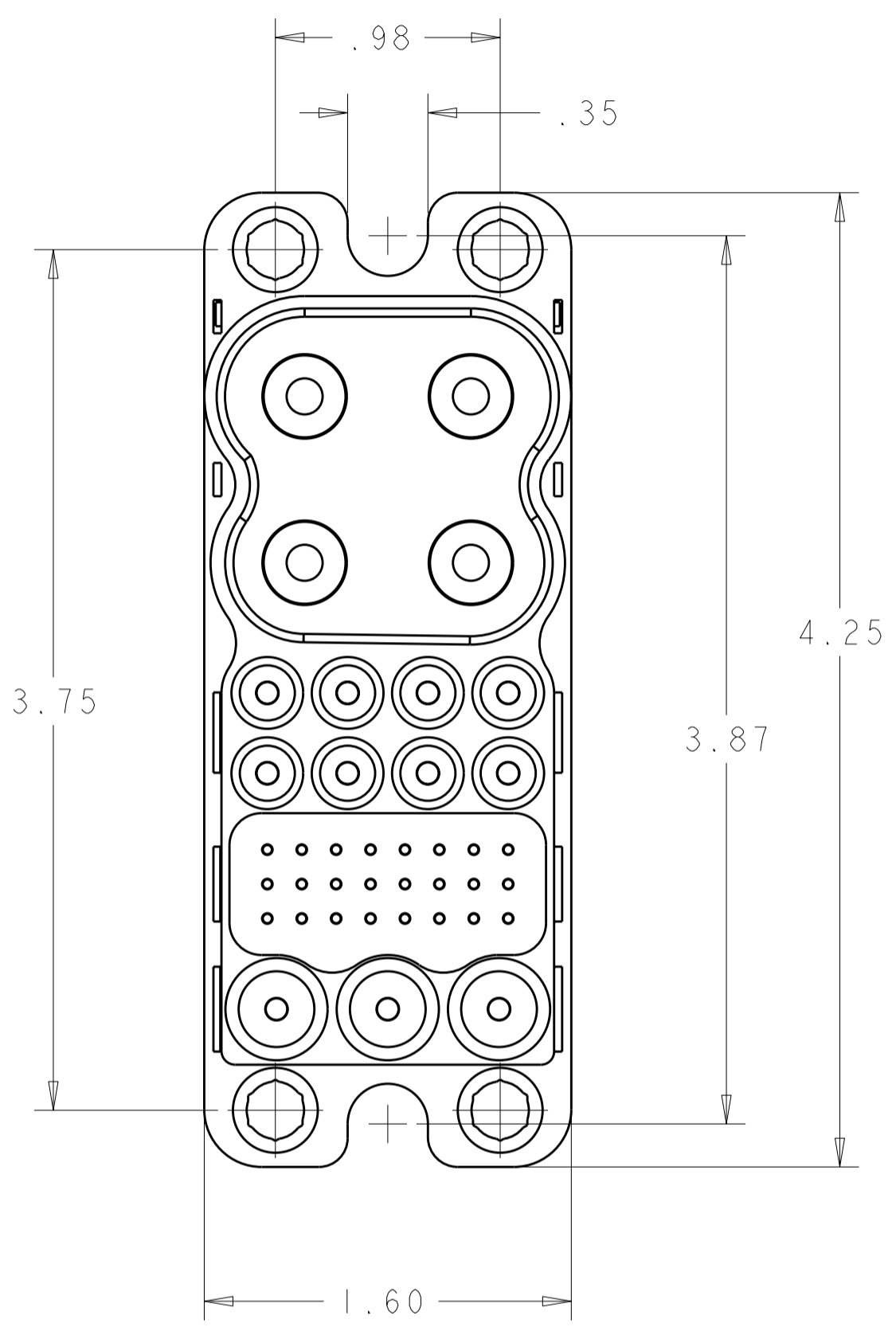


THIS DRAWING IS UNPUBLISHED. RELEASED FOR PUBLICATION 20  
 © COPYRIGHT 20 BY TYCO ELECTRONICS CORPORATION. ALL RIGHTS RESERVED.

LOC	DIST	REVISIONS			
P	LTR	DESCRIPTION	DATE	DWN	APVD
GP	00	A	RELEASED	10JUL2008	RG DO



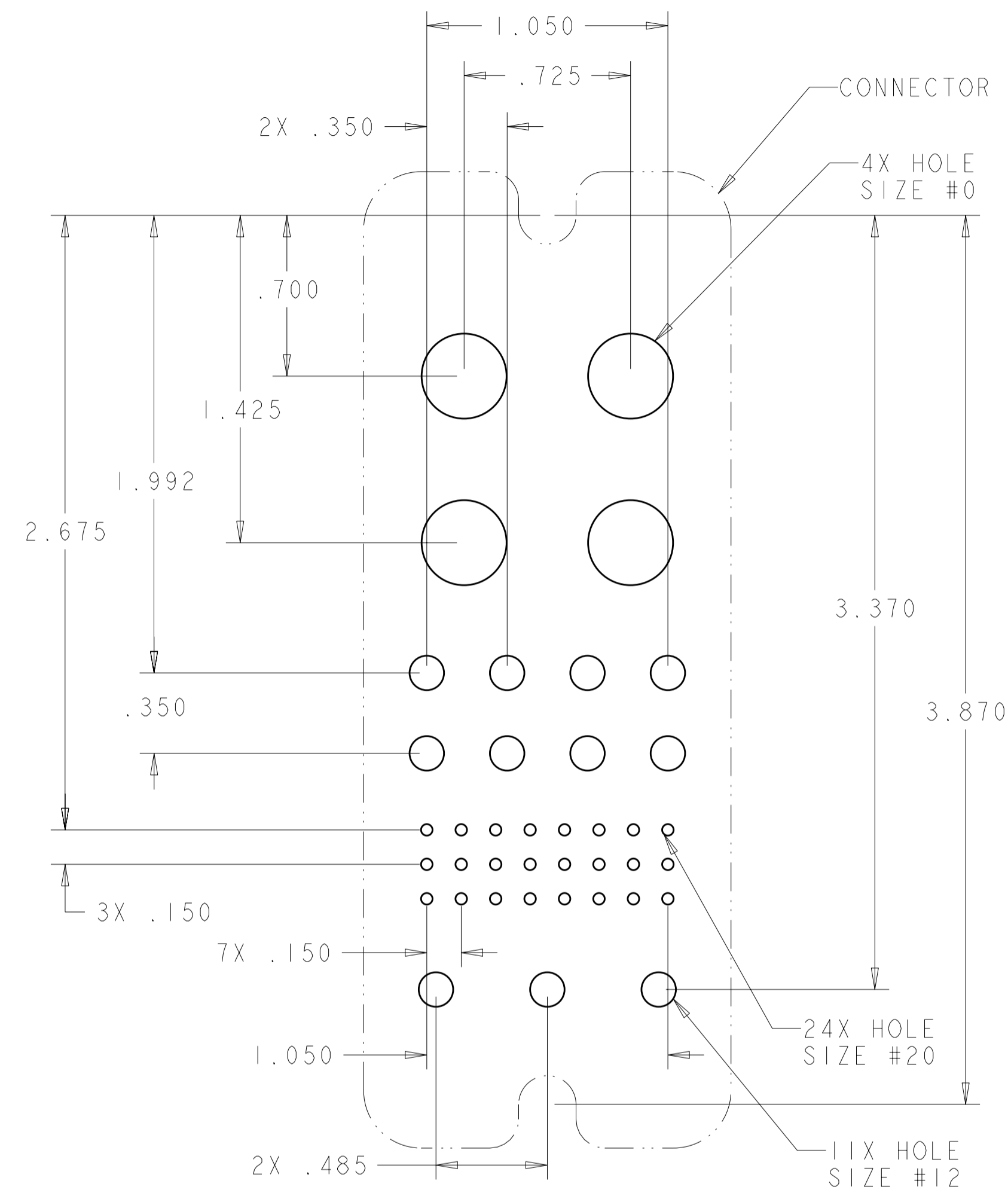
△5	11	1766245-1	CONTACT, PIN, #12, PCB TAIL	D
△5	24	1650283-1	CONTACT, PIN, #20, PCB TAIL	C
	4	1766275-1	CONTACT, PIN (PROBE PROOF), #0, M6 X 1 INT. THD.	B
	1	1648552-2	CONNECTOR, PIN	A
	-1	PART NUMBER	DESCRIPTION	ITEM

**ELCON** DOUBLE DRAWER

<small>THIS DRAWING IS A CONTROLLED DOCUMENT FOR TYCO ELECTRONICS CORPORATION. IT IS SUBJECT TO CHANGE AND THE CONTROLLING ENGINEERING ORGANIZATION SHOULD BE CONTACTED FOR THE LATEST REVISION.</small>		DWN R. GRZYBOWSKI 8JULY08 CHK D. ORRIS 8JULY08 APVD S. FLICKINGER 8JULY08	<b>tyco</b> Tyco Electronics Harrisburg, PA 17105-3608
DIMENSIONS: INCHES 	TOLERANCES UNLESS OTHERWISE SPECIFIED: 0 PLC ± 1 PLC ± 2 PLC ±.02 3 PLC ±.010 4 PLC ± ANGLES ±.5 FINISH	PRODUCT SPEC APPLICATION SPEC WEIGHT	NAME: PIN CONNECTOR ASSEMBLY SOLDER TAILS DOUBLE DRAWERS SIZE: A2 CAGE CODE: 00779 DRAWING NO: C-1926868 RESTRICTED TO:
MATERIAL: -		CUSTOMER DRAWING	
SCALE: 2:1		SHEET 1 OF 2 REV A	

THIS DRAWING IS UNPUBLISHED. RELEASED FOR PUBLICATION 20  
COPYRIGHT 20 BY TYCO ELECTRONICS CORPORATION. ALL RIGHTS RESERVED.

LOC	DIST	REVISIONS			
P	LTR	DESCRIPTION	DATE	DWN	APVD
GP	00	-	SEE SHEET 1	-	-



SUGGESTED PC BOARD LAYOUT  
VIEW FROM CONNECTOR MOUNTING SIDE

HOLE SIZE #0  
 FINISHED HOLE:  $\phi .572 \pm .003$   
 DRILLED HOLE:  $\phi .5740 \pm .0005$   
 COPPER PLATE: .0010 MIN  
 TIN PLATE: .0002 MIN THK.

HOLE SIZE #12  
 FINISHED HOLE:  $\phi .104 \pm .003$   
 DRILLED HOLE:  $\phi .1065 \pm .0005$   
 COPPER PLATE: .0010 MIN  
 TIN PLATE: .0002 MIN THK.

HOLE SIZE #20  
 FINISHED HOLE:  $\phi .047 \pm .003$   
 DRILLED HOLE:  $\phi .0453 \pm .0005$   
 COPPER PLATE: .0010 MIN  
 TIN PLATE: .0002 MIN THK.

- PART NUMBER CHANGES AND OR DESIGN CHANGES AFFECTING THE INTERCHANGEABILITY REQUIRE PRIOR TYCO ELECTRONICS APPROVAL AND AUTHORIZATION BY REVISION TO THIS DRAWING.
- MATERIAL:  
 INSULATOR: THERMOPLASTIC, GLASS REINFORCED, UL 94V-0  
 FLAMMABILITY RATED, COLOR: BLACK  
 PIN CONTACT SIZE No. 0 : TELLURIUM COPPER ALLOY  
 PIN CONTACT SIZE No. 12 & 20 : BRASS ALLOY  
 RETENTION CLIP: BERYLLIUM COPPER OR STAINLESS STEEL
- FINISH:  
 PIN CONTACTS SIZE #0 & #12: SILVER PLATE .000200 MIN THK.  
 OVER NICKEL .000040 MIN THK.  
 PIN CONTACTS SIZE #20: GOLD PLATE .000030 MIN THK.  
 OVER NICKEL .000040 MIN THK.

4 ITEMS PROVIDED TO THIS SPECIFICATION TO BE PERMANENTLY IDENTIFIED PER THE FOLLOWING IDENTIFIER:

YEAR WEEK

TYCO ELECTRONICS P/N DATE CODE (e.g. 0216)

XXXXXX-X                      XXXX

5 SOLDER TAIL CONTACTS (ITEMS C THRU D) ARE INSERTABLE/NON-REMOVABLE

ELCON DOUBLE DRAWER

THIS DRAWING IS A CONTROLLED DOCUMENT FOR TYCO ELECTRONICS CORPORATION IT IS SUBJECT TO CHANGE AND THE CONTROLLING ENGINEERING ORGANIZATION SHOULD BE CONTACTED FOR THE LATEST REVISION.		DWN R. GRZYBOWSKI 8 JULY 08	Tyco Electronics Harrisburg, PA 17105-3608
DIMENSIONS: INCHES		CHK D. ORRIS 8 JULY 08	
TOLERANCES UNLESS OTHERWISE SPECIFIED: 0 PLC ± 1 PLC ± 2 PLC ±.02 3 PLC ±.010 4 PLC ± ANGLES ±.5 FINISH		APVD S. FLICKINGER 8 JULY 08	NAME PIN CONNECTOR ASSEMBLY SOLDER TAILS DOUBLE DRAWERS
MATERIAL		PRODUCT SPEC - APPLICATION SPEC -	SIZE A200779
		WEIGHT -	DRAWING NO. C-1926868
		CUSTOMER DRAWING	RESTRICTED TO -
		SCALE 2:1	SHEET 2 OF 2 REV A