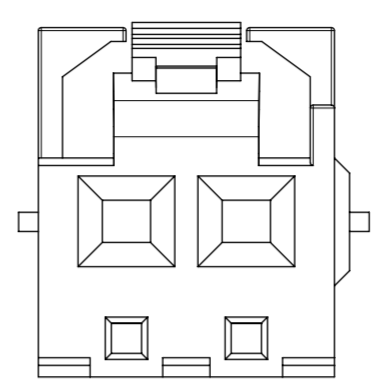


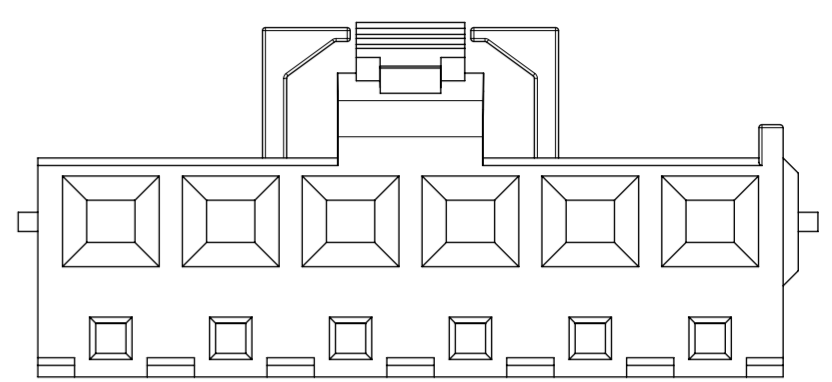
- NOTES:
1. MATERIAL: PA66 , RATED UL94V-0, COLOR- BLACK
 2. PRODUCT SPECIFICATION: 2074580000-PS
 3. PACKAGING SPECIFICATION: 2074580000-PK
 4. COSMETIC SPECIFICATION: PS-45499-002 CLASS B
 5. HOUSING ACCEPTS TERMINALS FROM 45570 SERIES

POLARIZATION

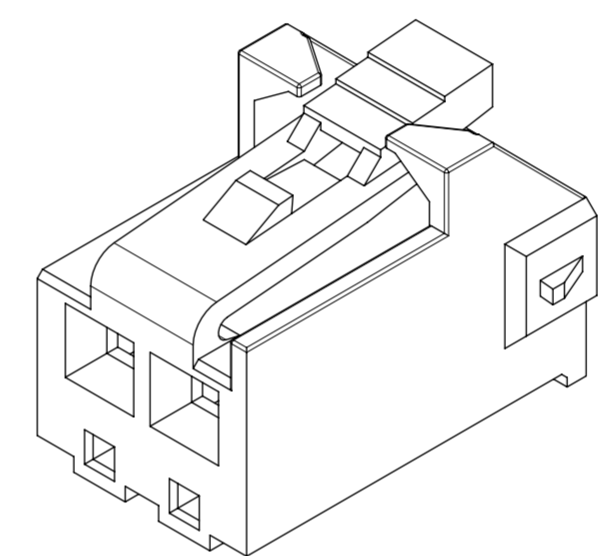
2 CKT



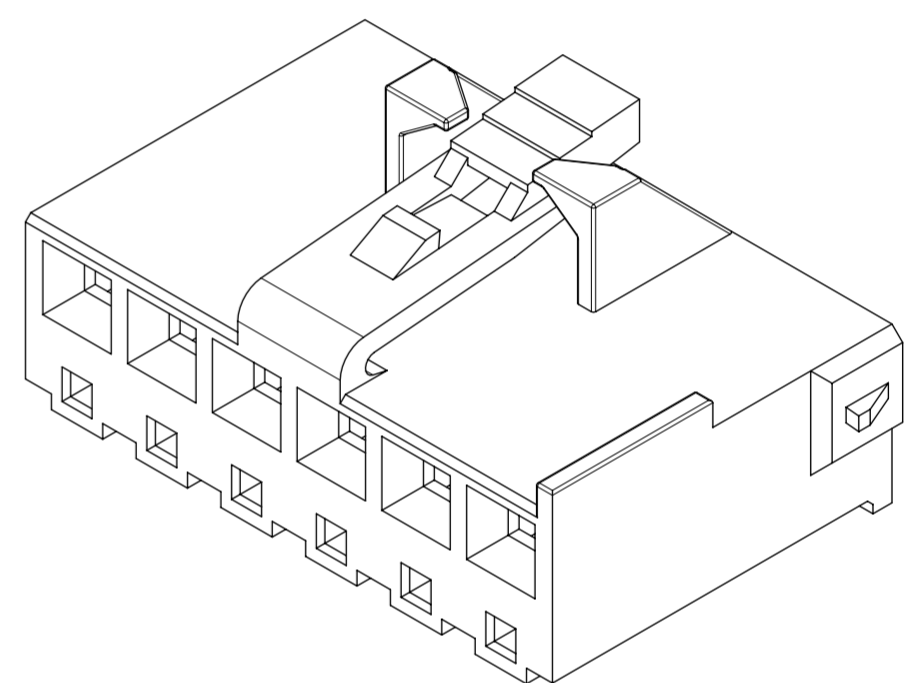
3 TO 6 CKT



ISOMETRIC OF 2 CKT



ISOMETRIC OF 6 CKT



CIRCUIT SIZE	PART NUMBER	DIM. A
02	2074580002	10.29
03	2074580003	13.25
04	2074580004	17.21
05	2074580005	21.18
06	2074580006	25.14

THIS DRAWING CONTAINS INFORMATION THAT IS PROPRIETARY TO MOLEX ELECTRONIC TECHNOLOGIES, LLC AND SHOULD NOT BE USED WITHOUT WRITTEN PERMISSION

DIMENSION UNITS mm	SCALE 4:1	CURRENT REV DESC:		molex
GENERAL TOLERANCES (UNLESS SPECIFIED)		EC NO: 706747		
ANGULAR TOL ± 0.5°		DRWN: SHRUTJ	2022/04/27	KK PLUS 396 RECEPTACLE HOUSING
4 PLACES ±		CHK'D: SHRUTJ	2022/05/13	
3 PLACES ±		APPR: ISHWARG	2022/05/13	PRODUCT CUSTOMER DRAWING
2 PLACES ± 0.2		INITIAL REVISION:		
1 PLACE ± 0.25		DRWN: GGUNAGI	2018/09/19	DOCUMENT NUMBER
0 PLACES ±		APPR: NCSR	2019/02/05	2074580000-SD
DRAFT WHERE APPLICABLE MUST REMAIN WITHIN DIMENSIONS	THIRD ANGLE PROJECTION	DRAWING	SERIES	DOC TYPE DOC PART REVISION
		A2-SIZE	207458	PSD 000 A2
		MATERIAL NUMBER	CUSTOMER	SHEET NUMBER
		SEE TABLE	GENERAL MARKET	1 OF 1