

- NOTES**
1. 本製品は極数によって、ロック形状が変わりますので御注意願います。
THE LOCK SHAPE OF THIS PRODUCT CHANGES ACCORDING TO THE NUMBER OF CIRCUIT.
2~5 CIRCUITS : フリクションロック FRICTION LOCK
6~15 CIRCUITS : インナーポジティブロック INNER POSITIVE LOCK
 2. 材料及び仕上げ(めっき仕様) : TABLE 1,3 参照
MATERIAL AND FINISHES : SEE TABLE 1 AND 3
 3. 製品仕様書 : 5013300000-PS PS 003
PRODUCT SPECIFICATION:
 4. 梱包形態 : SEE SHEET 4
PACKAGING INFORMATION:
 5. 嵌合相手 : 501330 シリーズ
MATES WITH:501330 SERIES
 6. アプリケーション仕様書(コネクタ取扱い説明書) : 5013300000-AS PS 001
APPLICATION SPECIFICATION(CONNECTOR MANUAL):
 7. ソルダーピン及びネイルの平坦度:0.1 MAX
SOLDER PIN AND NAIL COPLANARITY: 0.1 MAX
 8. 偶数極に適用
APPLY FOR EVEN CIRCUIT
 9. 金めっき品は2083810000-SD PSD 000の図面を御参照下さい。
PLEASE REFER TO THE DRAWING OF 2083810000-SD PSD 000 FOR GOLD PLATING VERSION.

10. 製品番号構成 : 発注番号はTABLE 2,4参照
PRODUCT NUMBER COMPOSITION
ORDER No. : SEE TABLE 2,4

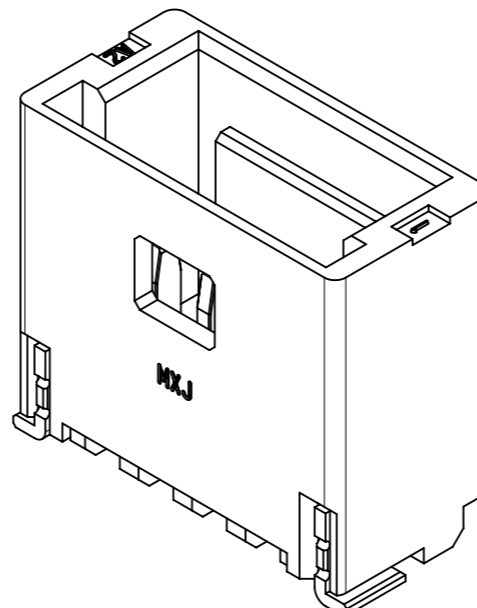
208381 * * * *

極数 CIRCUIT SIZE	ハウジングカラー HOUSING COLOR	製品識別番号 IDENTIFICATION NUMBER
	0:NATURAL(BEIGE) 1:BLACK	9: TIN PLATING

10. TABLE 2

		HOUSING COLOR		
		BLACK	NATURAL(BEIGE)	
4.0	7.0	208381 0519	208381 0509	5
3.0	6.0	↑ 0419	↑ 0409	4
2.0	5.0	↕ 0319	↕ 0309	3
1.0	4.0	↓ 0219	↓ 0209	2
B	A	発注番号 ORDER No.		
極数別 寸法 DIMENSION		梱包形態 : インボス梱包 PACKAGING STYLE : EMBOSSED TAPE AND REEL		極数 CIRCUIT SIZE

番号 NO.	部品 PART	材質 MATERIAL	
①	ウエハー WAFER	ポリアミド(PA), ガラス充填, UL94V-0, LOW HALOGEN, 色 : SEE TABLE 2 POLYAMIDE(PA), GLASS FILLED, UL94V-0, LOW HALOGEN, COLOR : SEE TABLE 2	
②	ソルダーピン SOLDER PIN	リン青銅 PHOSPHOR BRONZE	
		接点部 CONTACT AREA	錫めっき : 1.0 MICRO-METER MIN MATTE TIN PLATING
		テール部 TAIL AREA	
③	ネイル NAIL	リン青銅 PHOSPHOR BRONZE	
		テール部 TAIL AREA	錫めっき : 1.0 MICRO-METER MIN MATTE TIN PLATING
④	カバーテープ COVER TAPE	下地めっき UNDER PLATING	ニッケルめっき : 1.0 MICRO-METER MIN NICKEL PLATING
		ポリイミドテープ POLYIMIDE TAPE	



THIS DRAWING CONTAINS INFORMATION THAT IS PROPRIETARY TO MOLEX ELECTRONIC TECHNOLOGIES, LLC AND SHOULD NOT BE USED WITHOUT WRITTEN PERMISSION

DIMENSION UNITS mm	SCALE NTS	CURRENT REV DESC:		molex		
GENERAL TOLERANCES (UNLESS SPECIFIED)		EC NO: 626442				
ANGULAR TOL	± 3.0 °	DRWN: AISHIKAWA	2019/07/16	SINGLE ROW VT SMT INNER LOCK TIN PLATING		
4 PLACES	± 0.2	CHK'D: AIDA	2019/12/25	LOW HALOGEN		
3 PLACES	± 0.2	APPR: SAKIYAMA	2019/12/25	PRODUCT CUSTOMER DRAWING		
2 PLACES	± 0.2	INITIAL REVISION:		DOCUMENT NUMBER		
1 PLACE	± 0.2	DRWN: AISHIKAWA	2019/07/16	2083810000-SD		DOC TYPE
0 PLACES	± 0.2	APPR: SAKIYAMA	2019/12/25	PSD	001	REVISION
DRAFT WHERE APPLICABLE MUST REMAIN WITHIN DIMENSIONS		THIRD ANGLE PROJECTION	DRAWING	SERIES	MATERIAL NUMBER	CUSTOMER
		⊕	A3-SIZE	208381	SEE TABLE 2,4	SHEET NUMBER
						1 OF 5

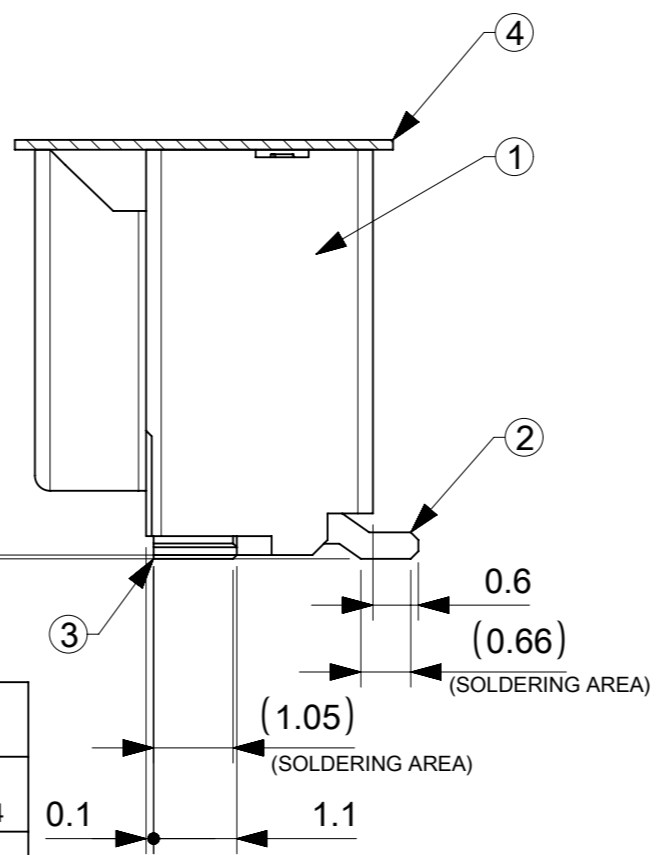
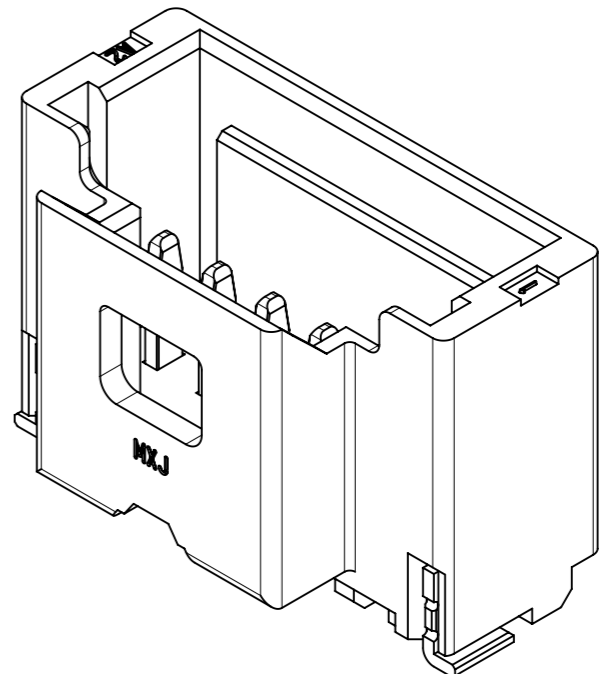
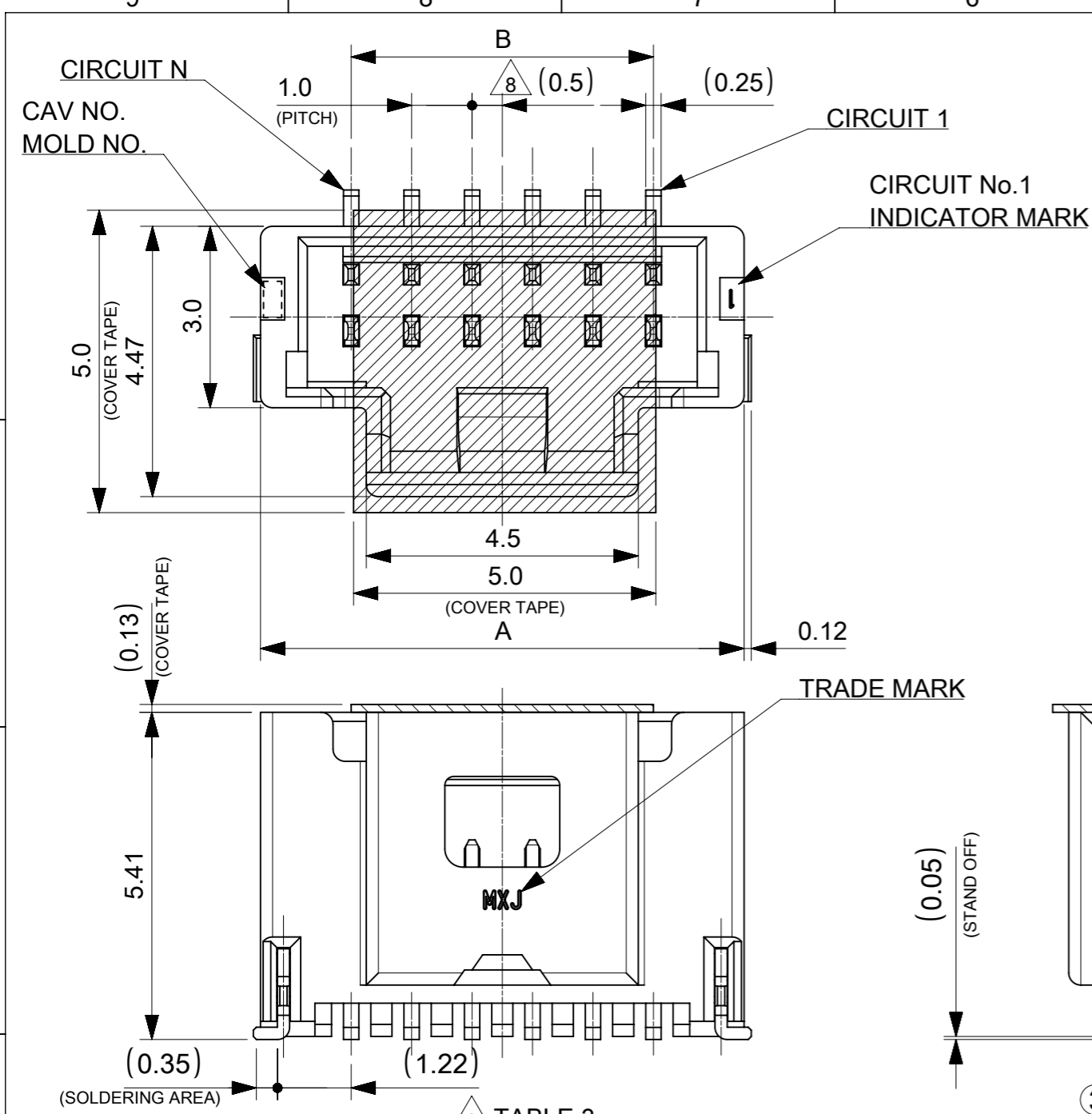


TABLE 3

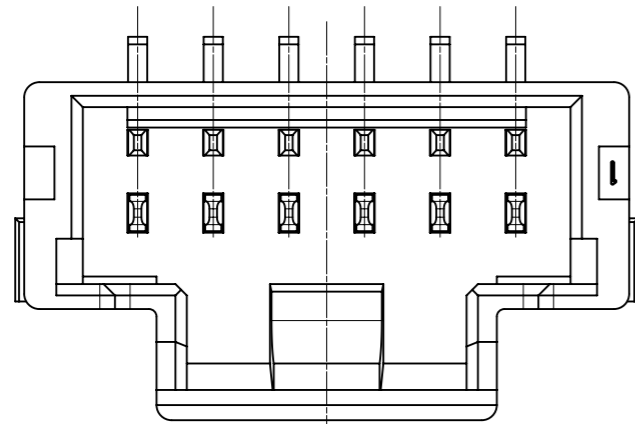
番号 NO.	部品 PART	材質 MATERIAL	
①	ウエハー WAFER	ポリアミド(PA), ガラス充填, UL94V-0, LOW HALOGEN, 色 : SEE TABLE 4 POLYAMIDE(PA), GLASS FILLED, UL94V-0, LOW HALOGEN, COLOR : SEE TABLE 4	
②	ソルダーピン SOLDER PIN	リン青銅 PHOSPHOR BRONZE	
		接点部 CONTACT AREA テール部 TAIL AREA	錫めっき : 1.0 MICRO-METER MIN MATTE TIN PLATING
		下地めっき UNDER PLATING	ニッケルめっき : 1.0 MICRO-METER MIN NICKEL PLATING
③	ネイル NAIL	リン青銅 PHOSPHOR BRONZE	
		テール部 TAIL AREA	錫めっき : 1.0 MICRO-METER MIN MATTE TIN PLATING
		下地めっき UNDER PLATING	ニッケルめっき : 1.0 MICRO-METER MIN NICKEL PLATING
④	カバーテープ COVER TAPE	ポリイミドテープ POLYIMIDE TAPE	

TABLE 4

		HOUSING COLOR		
		BLACK	NATURAL(BEIGE)	
14.0	17.0	208381 1519	208381 1509	15
13.0	16.0	▲ 1419	▲ 1409	14
12.0	15.0	1319	1309	13
11.0	14.0	1219	1209	12
10.0	13.0	1119	1109	11
9.0	12.0	1019	1009	10
8.0	11.0	0919	0909	9
7.0	10.0	0819	0809	8
6.0	9.0	▼ 0719	▼ 0709	7
5.0	8.0	208381 0619	208381 0609	6
B	A	発注番号 ORDER No.		極数 CIRCUIT SIZE
極数別寸法 DIMENSION		梱包形態 : インボス梱包 PACKAGING STYLE : EMBOSSED TAPE AND REEL		

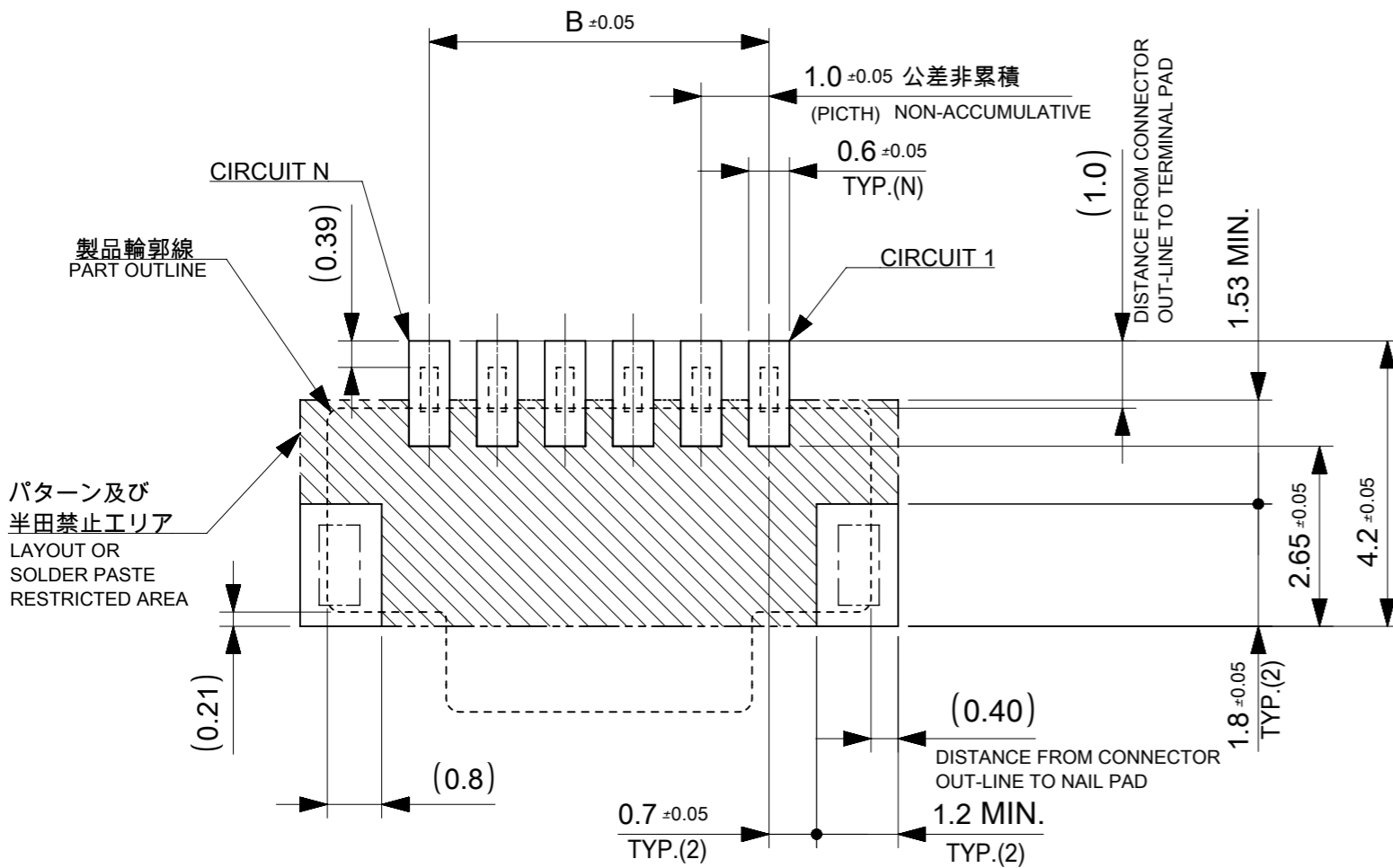
THIS DRAWING CONTAINS INFORMATION THAT IS PROPRIETARY TO MOLEX ELECTRONIC TECHNOLOGIES, LLC AND SHOULD NOT BE USED WITHOUT WRITTEN PERMISSION

DIMENSION UNITS	SCALE	CURRENT REV DESC:		molex		
mm	NTS					
GENERAL TOLERANCES (UNLESS SPECIFIED)				PICO-CLASP 1.0 W/B SINGLE ROW VT SMT INNER LOCK TIN PLATING LOW HALOGEN		
ANGULAR TOL	± 3.0°	EC NO: 626442		PRODUCT CUSTOMER DRAWING		
4 PLACES	± 0.2	DRWN: AISHIKAWA 2019/07/16		DOCUMENT NUMBER		
3 PLACES	± 0.2	CHK'D: AIDA 2019/12/25		DOC TYPE DOC PART REVISION		
2 PLACES	± 0.2	APPR: SAKIYAMA 2019/12/25		2083810000-SD PSD 001 A		
1 PLACE	± 0.2	INITIAL REVISION:		MATERIAL NUMBER		
0 PLACES	± 0.2	DRWN: AISHIKAWA 2019/07/16		CUSTOMER		
DRAFT WHERE APPLICABLE MUST REMAIN WITHIN DIMENSIONS		THIRD ANGLE PROJECTION	DRAWING	SERIES	SHEET NUMBER	
			A3-SIZE	208381	2 OF 5	



製品レイアウト(参考: 6~15 CIRCUITS)
PRODUCT LAYOUT(REFERENCE: 6~15 CIRCUITS)

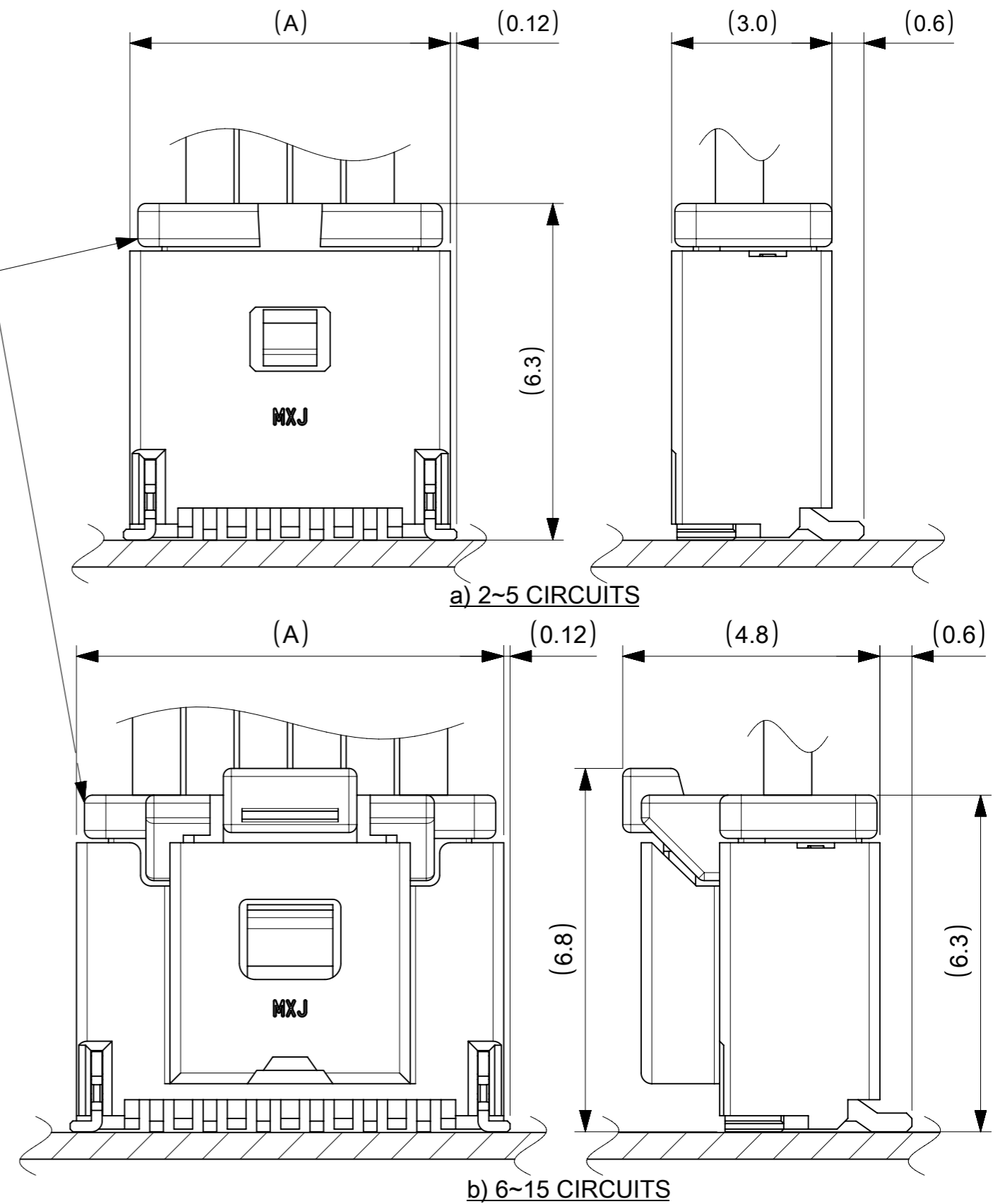
△ 嵌合相手: 501330 シリーズ
MATE WITH: 501330 SERIES



推奨基板レイアウト(全極数適応): 実装面側
(参考: 基板厚 1.0mm, メタルマスク厚さ 0.12mm, マスク開口率100%)

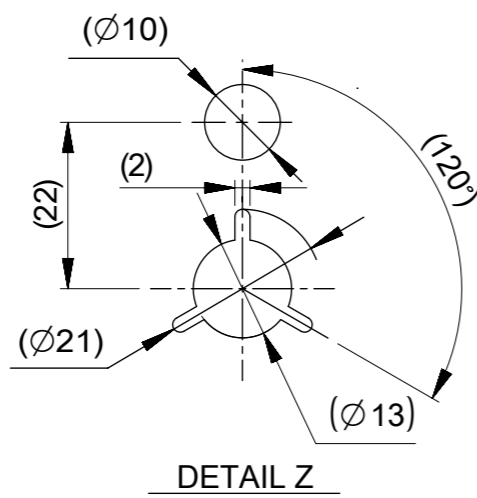
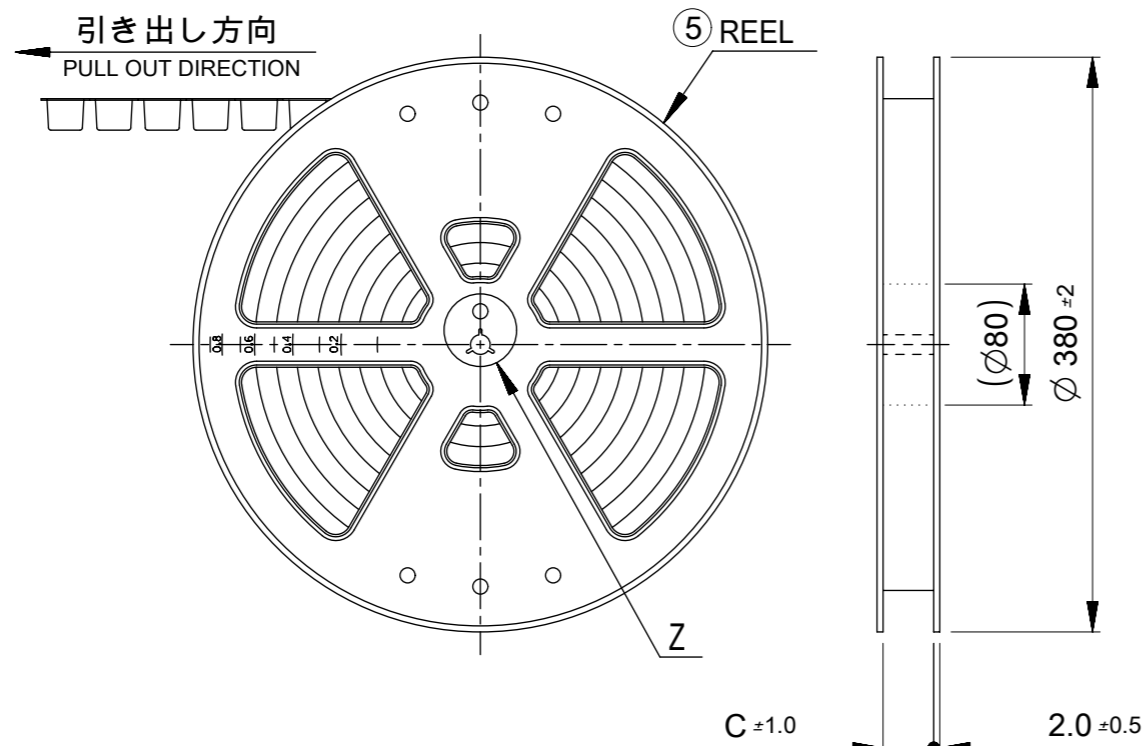
POLARIZED RECOMMENDED PCB LAYOUT(APPLY TO ALL CIRCUIT): COMPONENT SIDE
(REFERENCE: PCB THICKNESS 1.0mm, STENCIL THICKNESS 0.12mm, APERTURE RATIO 100%)

:パターン禁止エリア
RESTRICTED AREA
NO PCB COMPONENTS ALLOWED



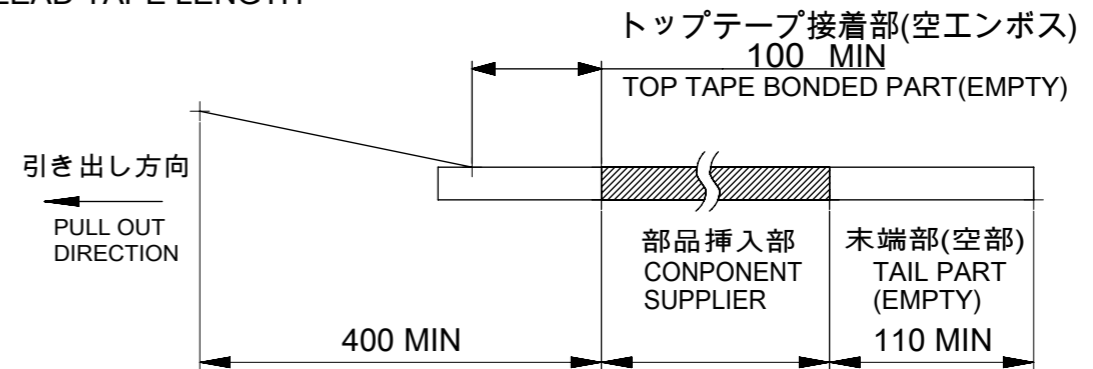
嵌合図
MATED CONNECTORS

THIS DRAWING CONTAINS INFORMATION THAT IS PROPRIETARY TO MOLEX ELECTRONIC TECHNOLOGIES, LLC AND SHOULD NOT BE USED WITHOUT WRITTEN PERMISSION		CURRENT REV DESC:			
DIMENSION UNITS	SCALE				
mm	NTS			PICO-CLASP 1.0 W/B SINGLE ROW VT SMT INNER LOCK TIN PLATING LOW HALOGEN	
GENERAL TOLERANCES (UNLESS SPECIFIED)				PRODUCT CUSTOMER DRAWING	
ANGULAR TOL	± 3.0°	EC NO:	626442	DOCUMENT NUMBER	2083810000-SD
4 PLACES	± 0.2	DRWN:	AISHIKAWA 2019/07/16	DOC TYPE	PSD
3 PLACES	± 0.2	CHK'D:	AIDA 2019/12/25	DOC PART	001
2 PLACES	± 0.2	APPR:	SAKIYAMA 2019/12/25	REVISION	A
1 PLACE	± 0.2	INITIAL REVISION:			
0 PLACES	± 0.2	DRWN:	AISHIKAWA 2019/07/16		
DRAFT WHERE APPLICABLE MUST REMAIN WITHIN DIMENSIONS		APPR:	SAKIYAMA 2019/12/25	MATERIAL NUMBER	SEE TABLE 2,4
THIRD ANGLE PROJECTION		DRAWING	A3-SIZE	CUSTOMER	
		SERIES	208381	SHEET NUMBER	3 OF 5



NOTES

- 10. 梱包数量:1100個/リール
NUMBER OF CONNECTORS : 1100 PIECES/REEL
- 11. リードテープ長さ
LEAD TAPE LENGTH



- 12. トップテープの剥離強度はIEC60286-3に準拠。
TOP TAPE PEELING FORCE IS DEFINED BY IEC60286-3.
- 13. 梱包仕様書 : 2083819200-SPK PS 200
PACKAGE SPECIFICATION:

33.4	15
	14
	13
25.4	12
	11
	10
	9
	8
	7
17.5	6
	5
	4
	3
C	2
C	極数 CIRCUIT SIZE

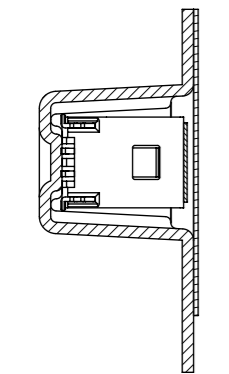
番号 NO.	部品 PART	材質 MATERIAL
⑤	リール REEL	ポリスチレン(PS) <リサイクル材を含む> POLYSTYRENE(PS) <RECYCLE MATERIAL CONTAINED>

DOCUMENT STATUS	P1	RELEASE DATE	2019/12/25	07:30:33
-----------------	----	--------------	------------	----------

THIS DRAWING CONTAINS INFORMATION THAT IS PROPRIETARY TO MOLEX ELECTRONIC TECHNOLOGIES, LLC AND SHOULD NOT BE USED WITHOUT WRITTEN PERMISSION

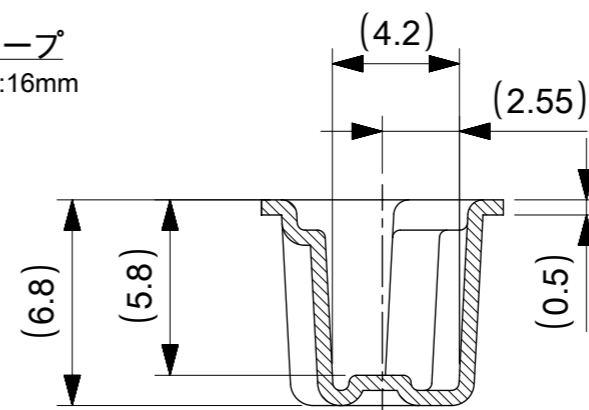
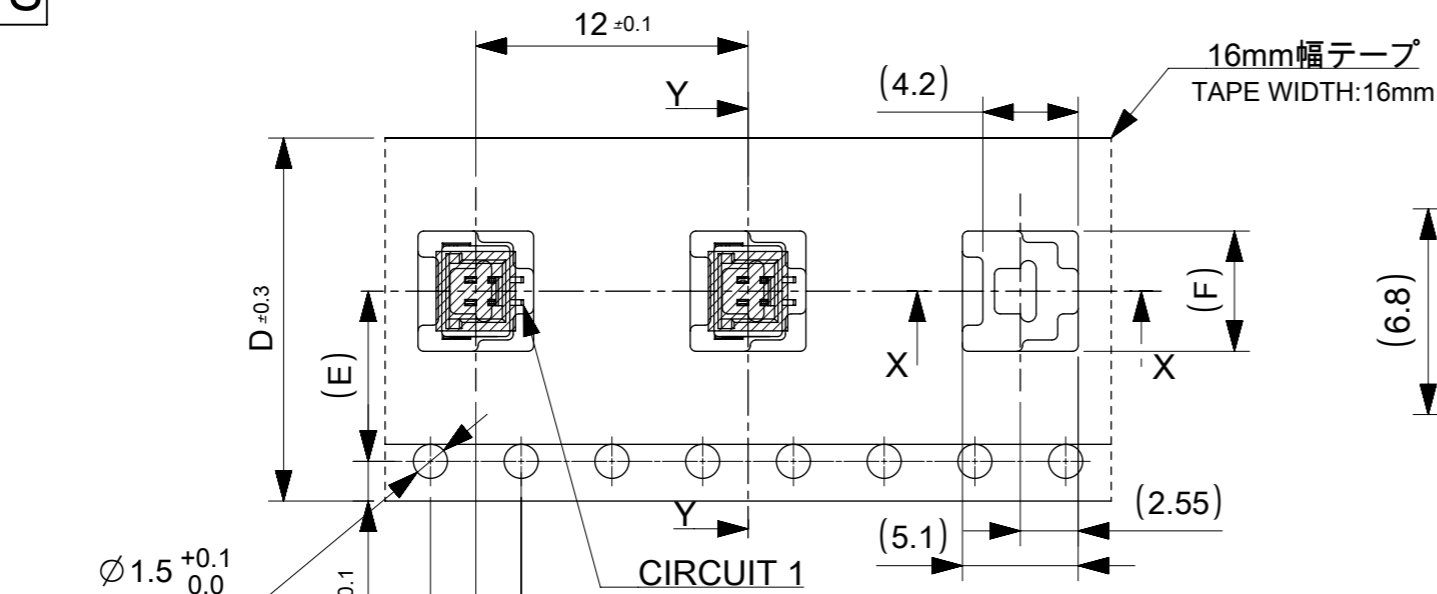
DIMENSION UNITS mm	SCALE NTS	CURRENT REV DESC:		molex		
GENERAL TOLERANCES (UNLESS SPECIFIED)		EC NO: 626442				
ANGULAR TOL	± 3.0 °	DRWN: AISHIKAWA	2019/07/16	SINGLE ROW VT SMT INNER LOCK TIN PLATING		
4 PLACES	± 0.2	CHK'D: AIDA	2019/12/25	LOW HALOGEN		
3 PLACES	± 0.2	APPR: SAKIYAMA	2019/12/25	PRODUCT CUSTOMER DRAWING		
2 PLACES	± 0.2	INITIAL REVISION:		DOCUMENT NUMBER		
1 PLACE	± 0.2	DRWN: AISHIKAWA	2019/07/16	2083810000-SD		
0 PLACES	± 0.2	APPR: SAKIYAMA	2019/12/25	DOC TYPE	DOC PART	REVISION
DRAFT WHERE APPLICABLE MUST REMAIN WITHIN DIMENSIONS		THIRD ANGLE PROJECTION	DRAWING	SERIES	MATERIAL NUMBER	CUSTOMER
			A3-SIZE	208381	SEE TABLE 2,4	PSD 001 A
						SHEET NUMBER
						4 OF 5

2~5 CIRCUITS

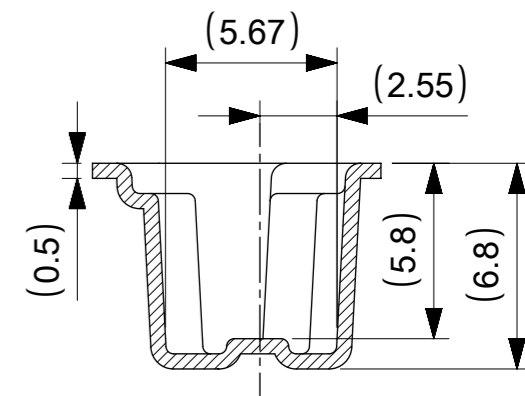


SECTION Y-Y

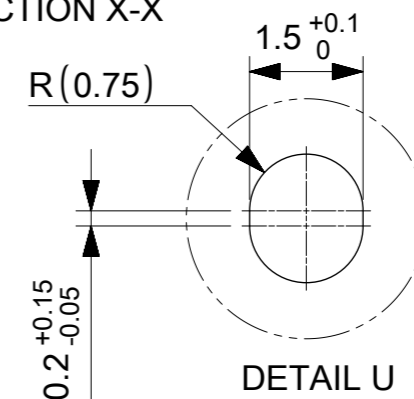
引き出し方向
PULL OUT DIRECTION



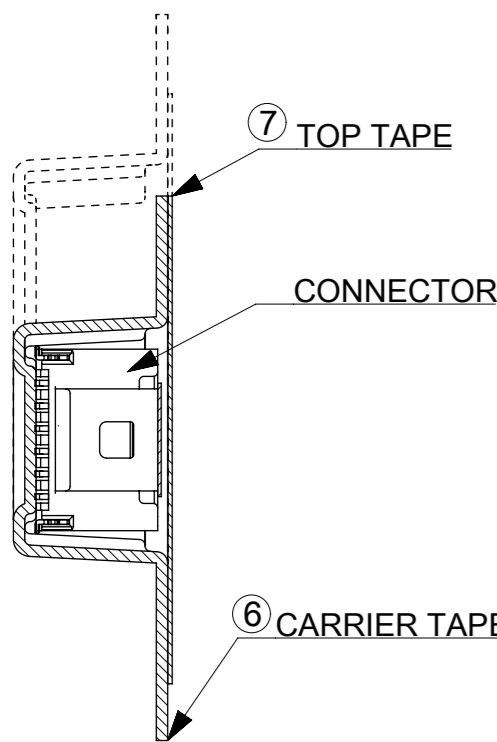
SECTION X-X



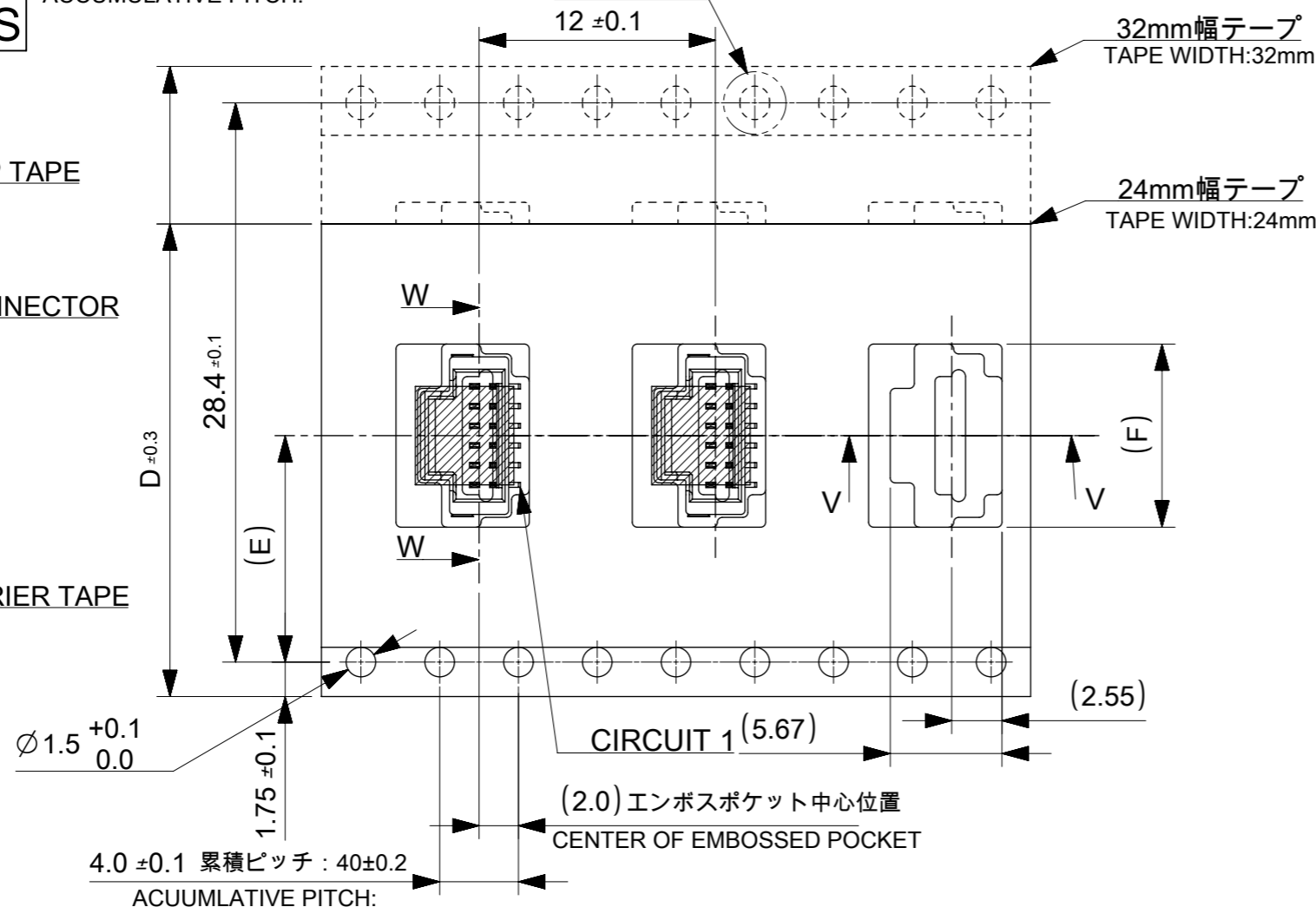
SECTION V-V



6~15 CIRCUITS



SECTION W-W



18.3			15
17.3	14.2	32	14
16.3			13
15.3			12
14.3			11
13.3			10
12.3	11.5	24	9
11.3			8
10.3			7
9.3			6
8.3			5
7.3	7.5	16	4
6.3			3
5.3			2
F	コネクタ中心位置 E CENTER OF CONNECTOR	エンボステープ幅 D WIDTH OF TAPE	極数 CIRCUIT SIZE

番号 NO.	部品 PART	材質 MATERIAL
⑥	キャリアテープ CARRIER TAPE	ポリプロピレン(PP)、その他 POLYPROPYLEN(PP), etc
⑦	トップテープ TOP TAPE	ポリエチレン(PE)、その他 POLYETHYLENE(PE), etc

DOCUMENT STATUS	P1	RELEASE DATE	2019/12/25	07:30:33
-----------------	----	--------------	------------	----------

THIS DRAWING CONTAINS INFORMATION THAT IS PROPRIETARY TO MOLEX ELECTRONIC TECHNOLOGIES, LLC AND SHOULD NOT BE USED WITHOUT WRITTEN PERMISSION

SCALE: mm NTS

GENERAL TOLERANCES (UNLESS SPECIFIED):
 ANGULAR TOL ± 3.0°
 4 PLACES ± 0.2
 3 PLACES ± 0.2
 2 PLACES ± 0.2
 1 PLACE ± 0.2
 0 PLACES ± 0.2

CURRENT REV DESC:
 EC NO: 626442
 DRWN: AISHIKAWA 2019/07/16
 CHK'D: AIDA 2019/12/25
 APPR: SAKIYAMA 2019/12/25

INITIAL REVISION:
 DRWN: AISHIKAWA 2019/07/16
 APPR: SAKIYAMA 2019/12/25

THIRD ANGLE PROJECTION

DRAWING: A3-SIZE

SERIES: 208381

MATERIAL NUMBER: SEE TABLE 2,4

CUSTOMER: 2083810000-SD

DOCUMENT NUMBER: 2083810000-SD

DOC TYPE: PSD

DOC PART: 001

REVISION: A

SHEET NUMBER: 5 OF 5

molex

PICO-CLASP 1.0 W/B
 SINGLE ROW VT SMT INNER LOCK TIN PLATING
 LOW HALOGEN

PRODUCT CUSTOMER DRAWING