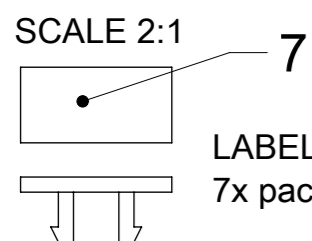


TABLE 1

MOLEX PN	ENG. NO.	CABLE LENGHT (mm)	LED
1202470031	BEB6010-FBW-05	5000	NO
1202470032	BEB6010-FBW-10	10000	NO
1202470033	BEB6010-FBW-15	15000	NO
1202470040	BEB601P-FBW-05	5000	YES
1202470041	BEB601P-FBW-10	10000	YES
1202470042	BEB601P-FBW-15	15000	YES

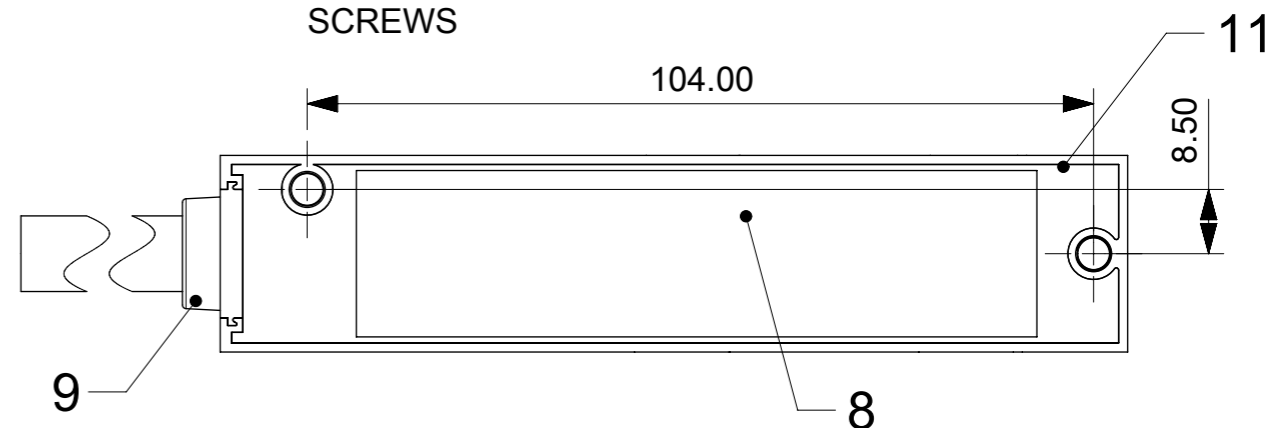
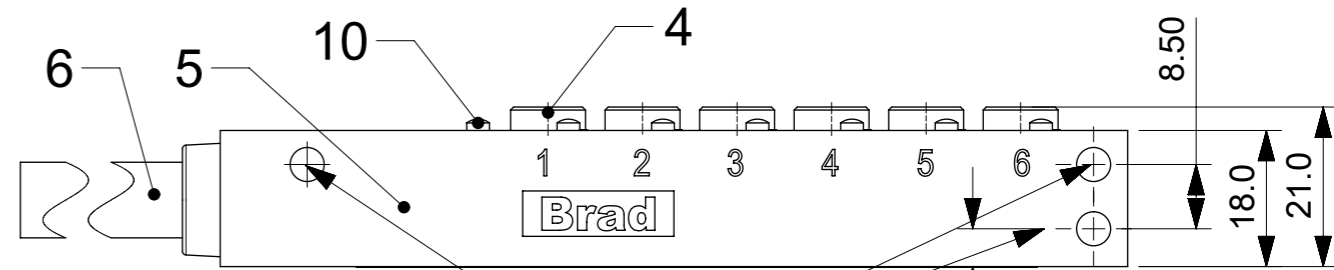
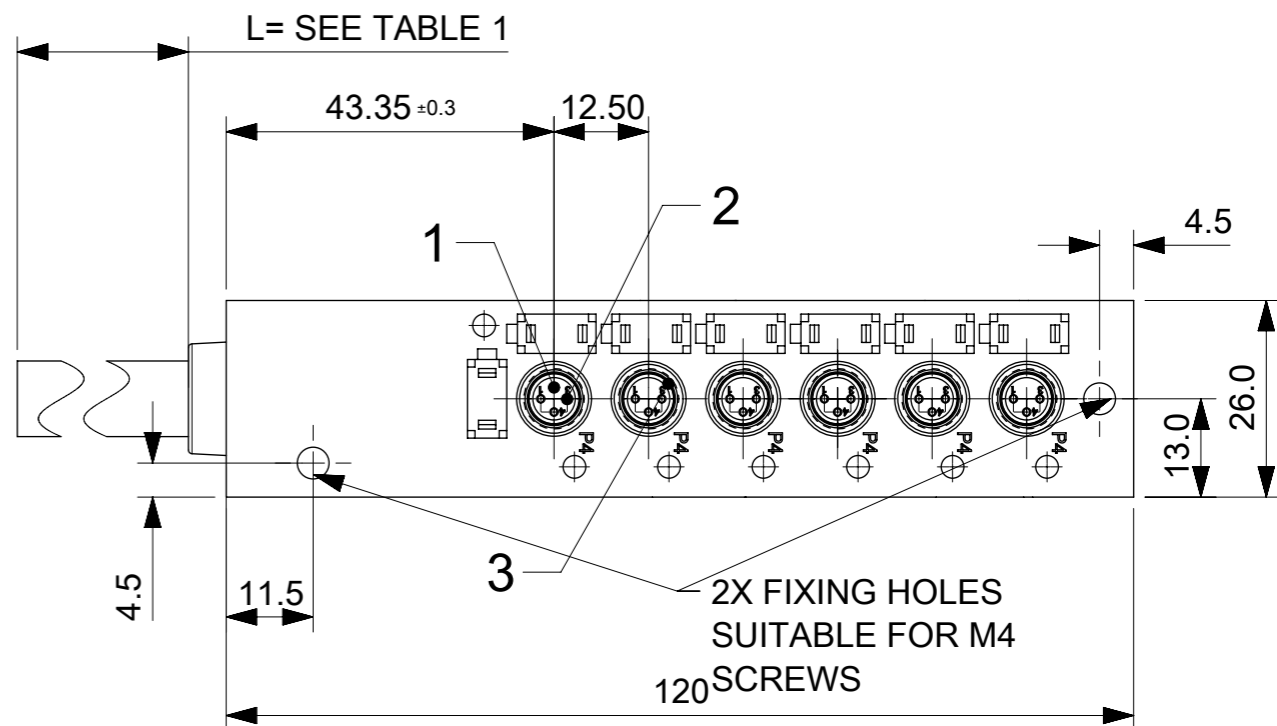
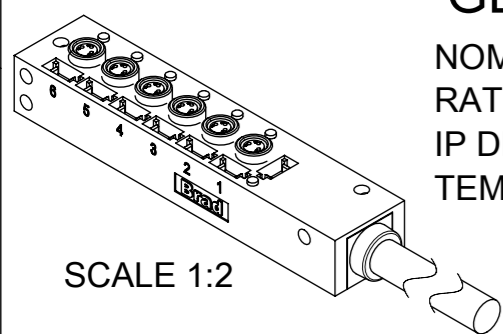
TABLE 2

ITEM	COMPONENT	MATERIAL	FINISH
1	INSERT	POLYESTER	BLACK
2	CONTACT	COPPER ALLOY	GOLD OVER NICKEL
3	O-RING	VITON	RED
4	RECEPTACLE SHELL	BRASS	NICKEL PLATED
5	HOUSING	PBT	BLACK
6	CABLE	TPU	BLACK
7	LABEL	ABS	WHITE
8	LABEL ADHESIVE	PE	WHITE
9	CABLE PLATE	PBT	BLACK
10	LED	NO LED = PA	BLACK
		WITH LED = PA	TRANSPARENT
11	RESIN	EPOXY	TRANSPARENT



GENERAL CHARACTERISTICS:

NOMINAL VOLTAGE: 24 V DC
 RATED CURRENT: 2 A PER PORT / 6 A MAX: TOTAL
 IP DEGREE OF PROTECTION: IP 67
 TEMPERATURE RANGE: -25°C to + 85°C



CABLE LENGTH TOLERANCES

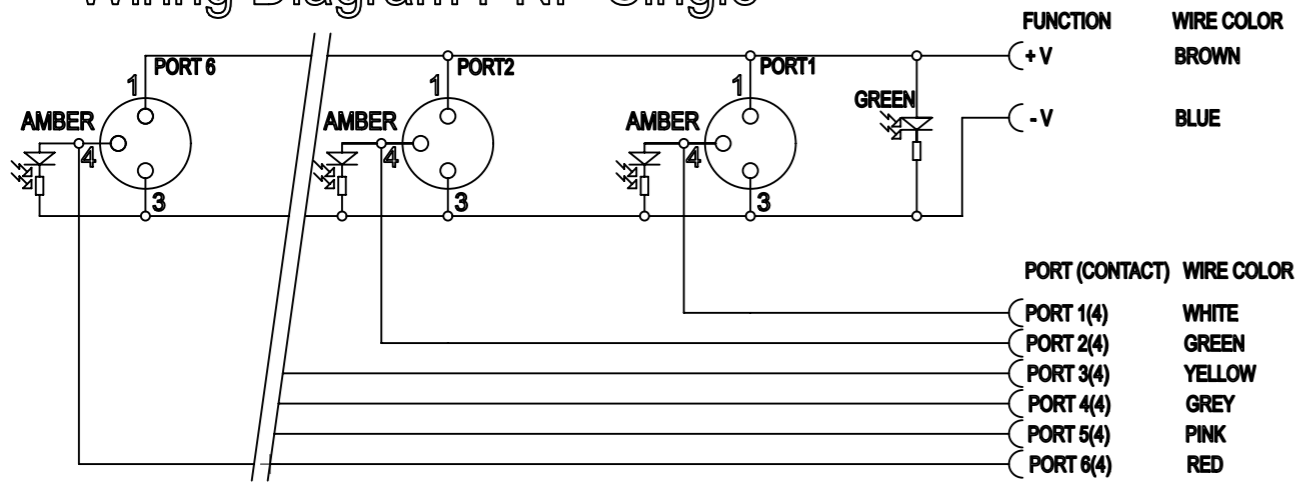
LENGTH	TOLERANCE
0m-1m	+40 mm
>1m-5m	+60 mm
>5m-10m	+80 mm
>10m-20m	+140 mm
>20m-30m	+160 mm
>30m	+1% length

FUNCTIONAL SYMBOLS	THIS DRAWING CONTAINS INFORMATION THAT IS PROPRIETARY TO MOLEX ELECTRONIC TECHNOLOGIES, LLC AND SHOULD NOT BE USED WITHOUT WRITTEN PERMISSION	
$\nabla_A = 0$ $\nabla_E = 0$ $\nabla_V = 0$	DIMENSION UNITS: mm SCALE: 1:1 GENERAL TOLERANCES (UNLESS SPECIFIED) ANGULAR TOL: ± °	CURRENT REV DESC: ADDED CABLE TOLERANCE TABLE EC NO: 699789 DRWN: MDHARMANTI 2022/03/11 CHK'D: RSILLER 2022/03/17 APPR: RSILLER 2022/03/17
DIVISIONAL SYMBOLS	4 PLACES ± 3 PLACES ± 2 PLACES ± 0.2 1 PLACE ± 0.3 0 PLACES ± 0.5	INITIAL REVISION: DRWN: ULETTENMEIER 2015/06/15 APPR: RSILLER 2015/07/03
DRAFT WHERE APPLICABLE MUST REMAIN WITHIN DIMENSIONS	THIRD ANGLE PROJECTION 	DRAWING: A3-SIZE SERIES: 120247 MATERIAL NUMBER: SEE TABLE 1 CUSTOMER: GENERAL MARKET
DOCUMENT STATUS: P1 RELEASE DATE: 2022/03/17 07:03:23		PRODUCT CUSTOMER DRAWING DOCUMENT NUMBER: 1202470031 DOC TYPE: PSD DOC PART: 000 REVISION: B1 SHEET NUMBER: 1 OF 2

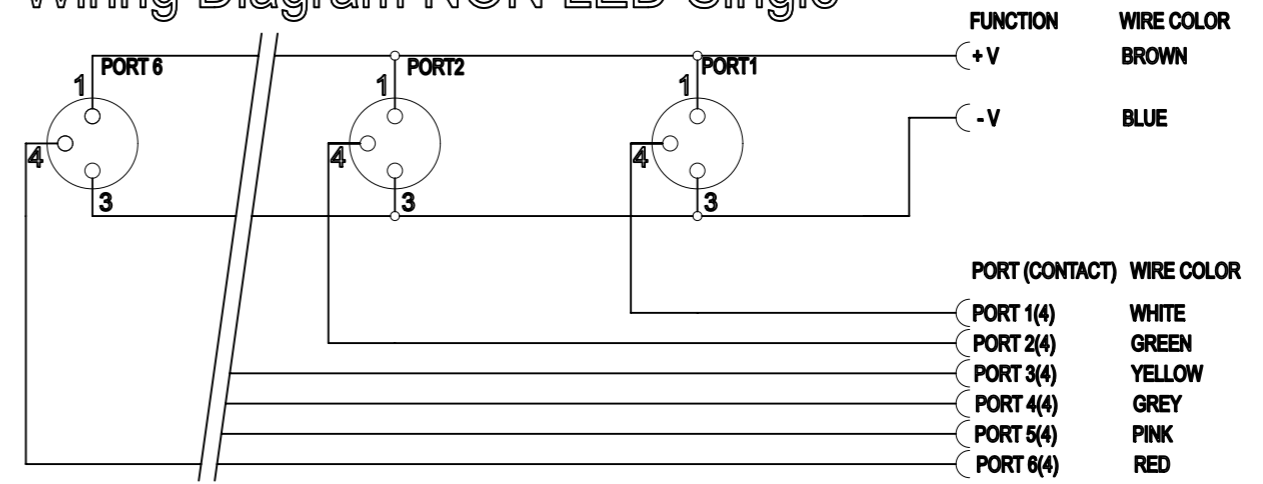


MPIS M8 PNP NOS 3P 6PT AC FE STR BK 5M SINGLE

Wiring Diagram PNP Single



Wiring Diagram NON LED Single



FUNCTIONAL SYMBOLS $\nabla_A = 0$ $\nabla_B = 0$ $\nabla_C = 0$	THIS DRAWING CONTAINS INFORMATION THAT IS PROPRIETARY TO MOLEX ELECTRONIC TECHNOLOGIES, LLC AND SHOULD NOT BE USED WITHOUT WRITTEN PERMISSION		molex MPIS M8 PNP NOS 3P 6PT AC FE STR BK 5M SINGLE		
	DIMENSION UNITS: mm SCALE: 1:1	CURRENT REV DESC: ADDED CABLE TOLERANCE TABLE			
DIVISIONAL SYMBOLS	GENERAL TOLERANCES (UNLESS SPECIFIED) ANGULAR TOL \pm °		PRODUCT CUSTOMER DRAWING		
	4 PLACES \pm		INITIAL REVISION:		DOCUMENT NUMBER: 1202470031
	3 PLACES \pm		DRWN: ULETTENMEIER 2015/06/15 APPR: RSILLER 2015/07/03		DOC TYPE: PSD DOC PART: 000 REVISION: B1
	2 PLACES \pm 0.2		DRAFT WHERE APPLICABLE MUST REMAIN WITHIN DIMENSIONS		MATERIAL NUMBER: SEE TABLE 1 CUSTOMER: GENERAL MARKET SHEET NUMBER: 2 OF 2
1 PLACE \pm 0.3		THIRD ANGLE PROJECTION			
0 PLACES \pm 0.5		DRAWING: A3-SIZE SERIES: 120247			