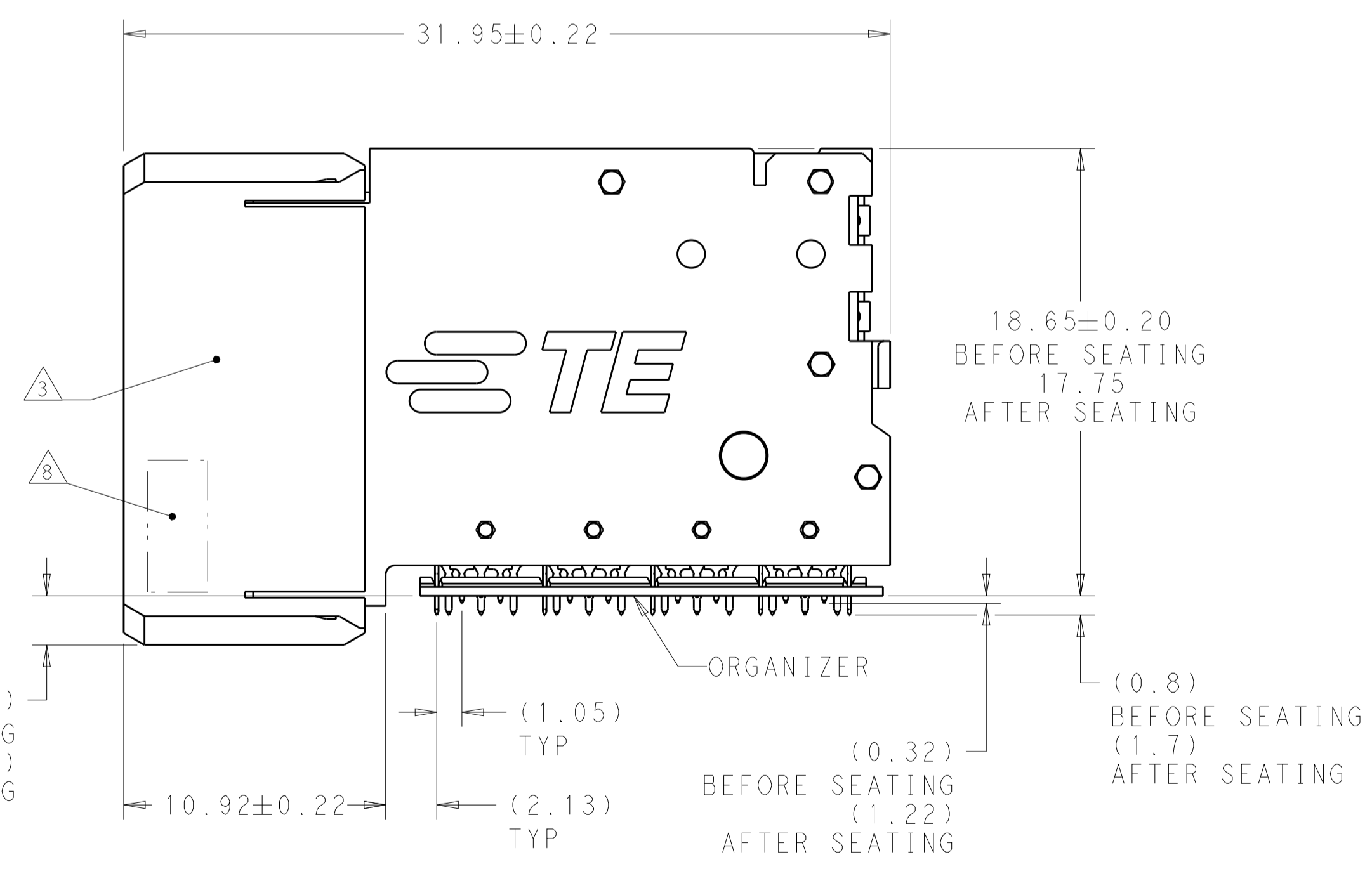
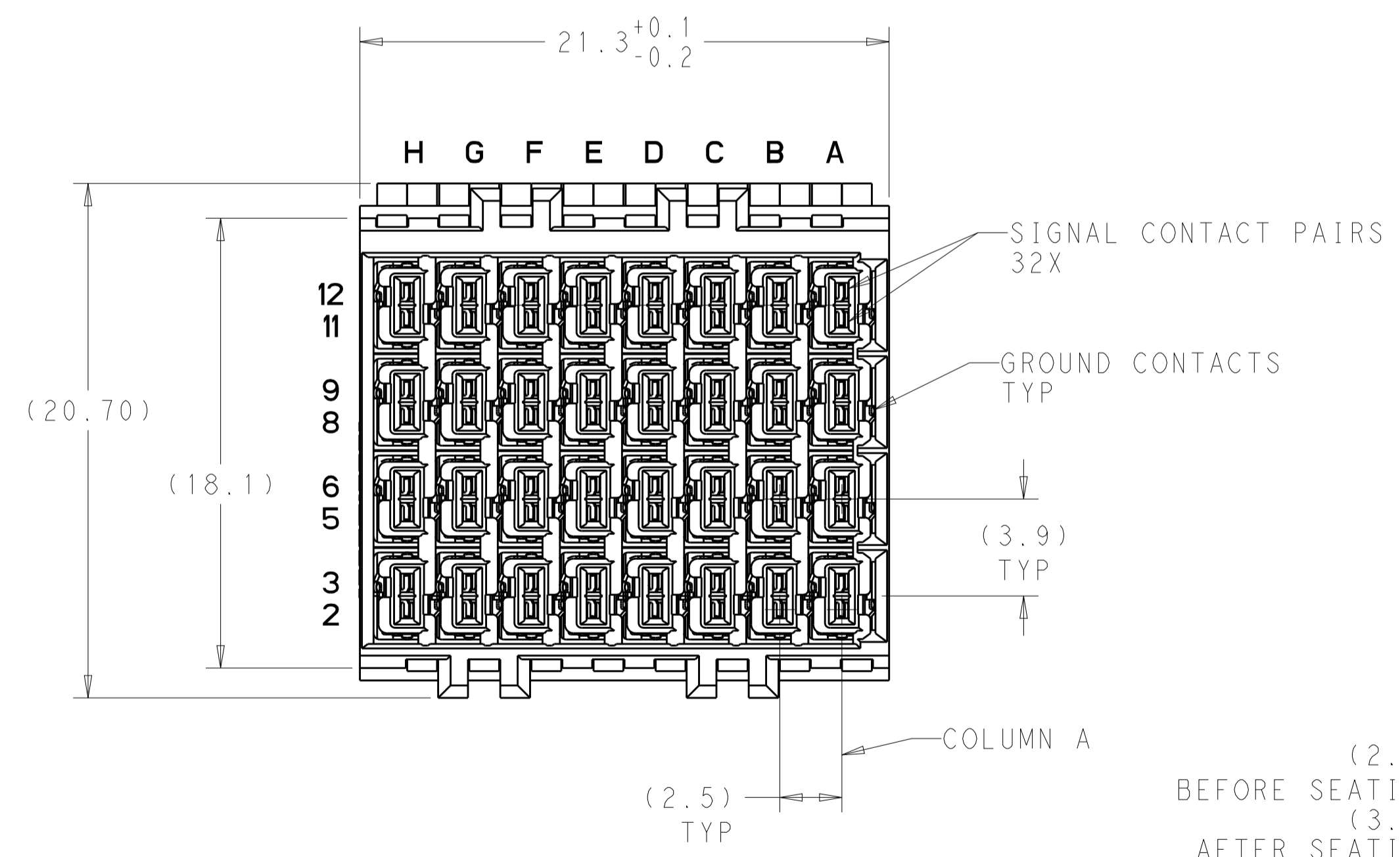
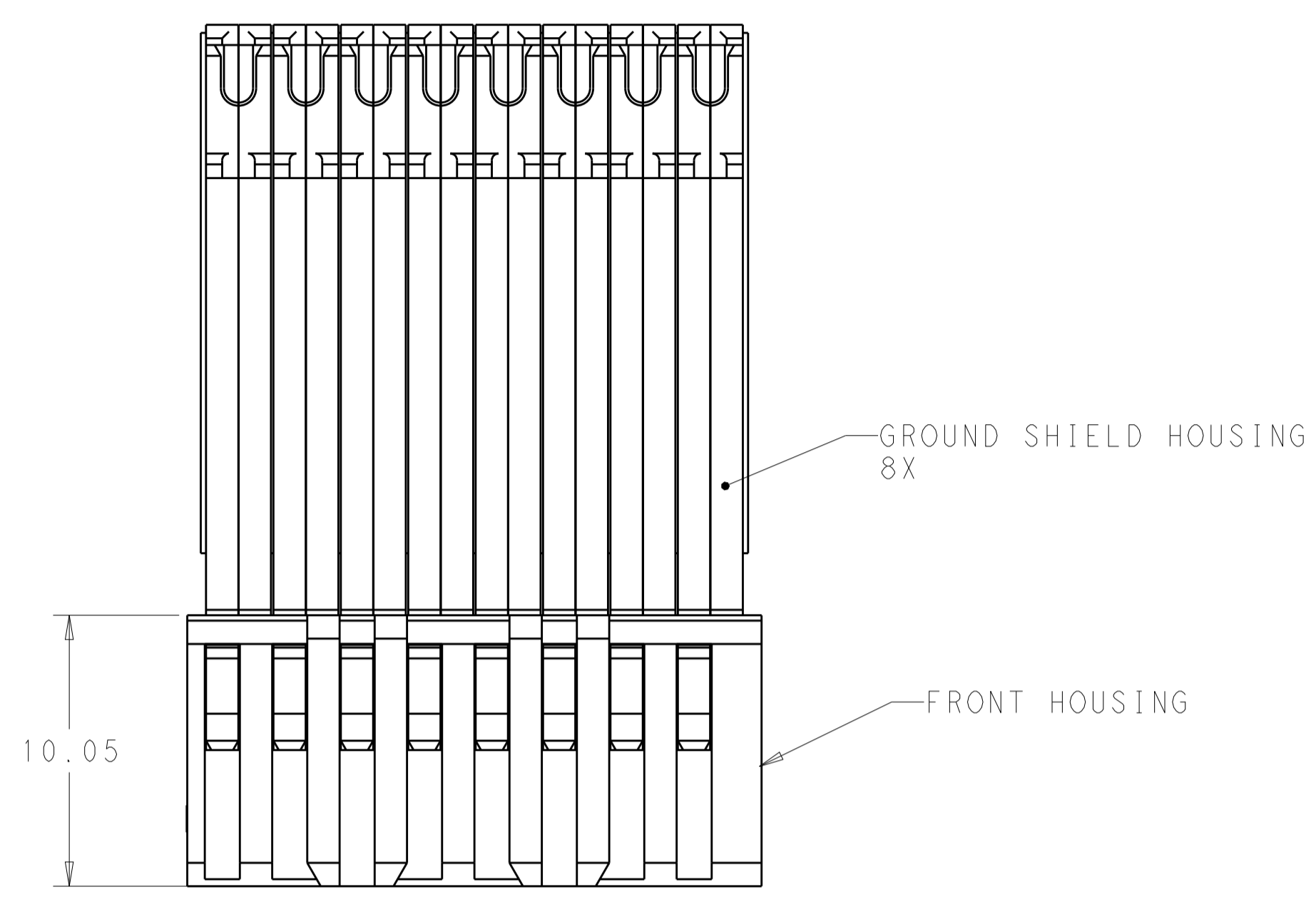


LOC	DIST	REV	DATE	BY	CHK	APPV
GP	00	A	09MAY2016	Y. K.	D. T.	

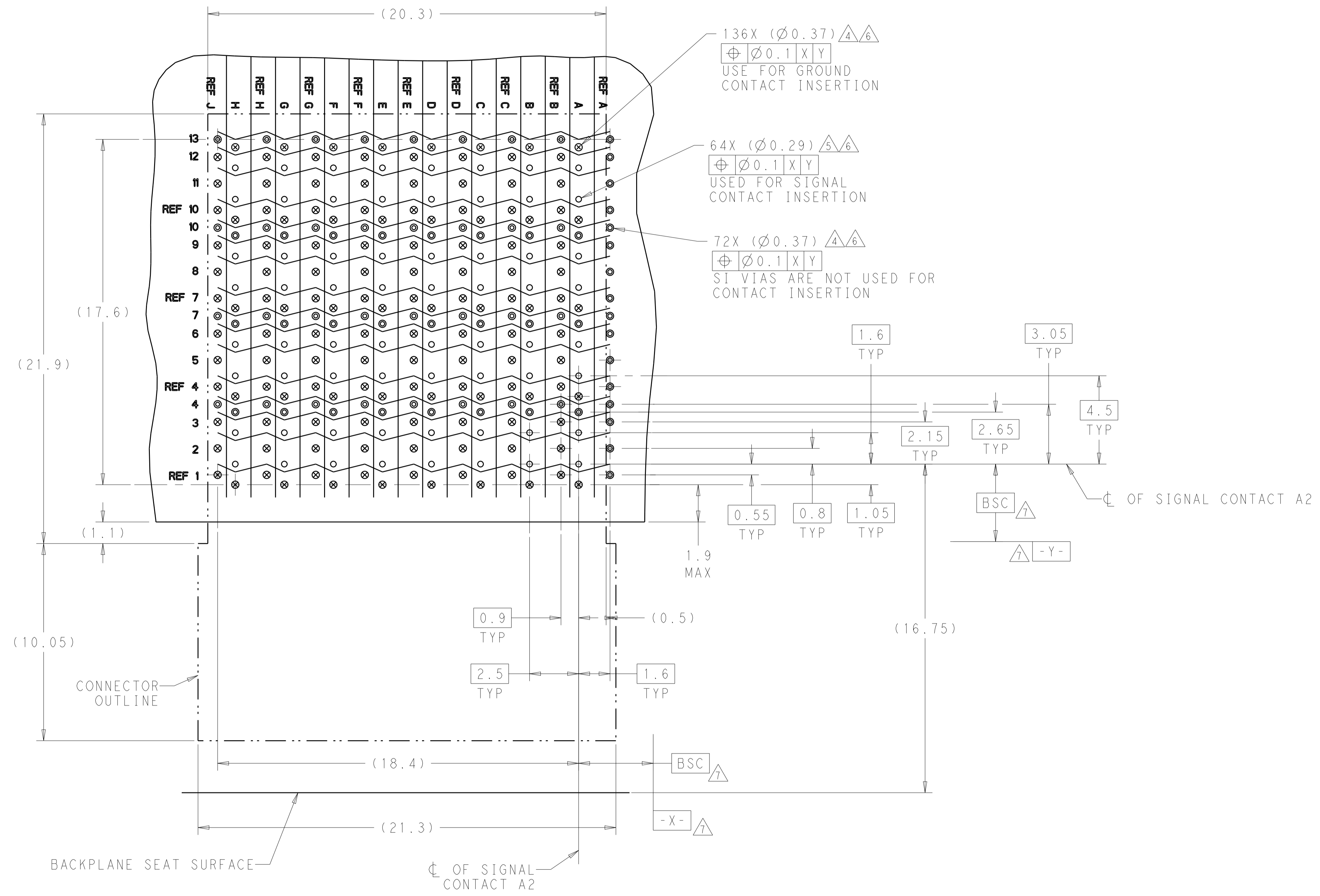


- △ CONTACTS - COPPER ALLOY, HOUSING AND ORGANIZER - THERMOPLASTIC, UL94 V-O, BLACK
- △ CONFORMS TO REQUIREMENTS OF TE PRODUCT SPECIFICATION 108-32021, BASED ON TELCORDIA GR-1217-CORE FOR SYSTEM QUALITY LEVEL III APPLICATIONS IN CONTROLLED ENVIRONMENTS (CENTRAL OFFICE).
- △ CONNECTOR MARKED ON EITHER SIDE OF HOUSING WITH PART NUMBER AND DATE CODE IN APPROXIMATE AREA SHOWN.
- △ PLATED THRU HOLE REQUIREMENTS:
FINISHED HOLE = $\varnothing 0.37 \pm 0.04$
DRILLED HOLE = $\varnothing 0.450 \pm 0.025$
COPPER THICKNESS = 0.025 MINIMUM
IMMERSION TIN IF APPLICABLE = 0.0006-0.0011
- △ PLATED THRU HOLE REQUIREMENTS:
FINISHED HOLE = $\varnothing 0.29 \pm 0.04$
DRILLED HOLE = $\varnothing 0.368 \pm 0.025$ (#79 DRILL)
COPPER THICKNESS = 0.025 MINIMUM
IMMERSION TIN IF APPLICABLE = 0.0006-0.0011
- △ SIGNAL HOLES:
PLATED THRU HOLE DIMENSIONS APPLY TO THE TOP 1.00 OF THE PCB THICKNESS FROM THE CONNECTOR MOUNTING SIDE.
GROUND HOLES:
PLATED THRU HOLE DIMENSIONS APPLY TO THE TOP 1.25 OF THE PCB THICKNESS FROM THE CONNECTOR MOUNTING SIDE.
- △ DATUMS AND BASIC DIMENSIONS ESTABLISHED BY CUSTOMER.
- △ DATAMATRIX BARCODE MARKING IN THIS AREA.

TIN	2287288-1
PRESS FIT TAIL PLATING	PART NO

THIS DRAWING IS A CONTROLLED DOCUMENT.		OWN Y. KODAIRA 09MAY2016	NAME
DIMENSIONS:		CHK D. TROUT 09MAY2016	RECEPTACLE ASSEMBLY, RIGHT ANGLE, 4 PAIR 8 COLUMN, 85 OHM PAIR-IN-COLUMN, STRADA WHISPER
TOLERANCES UNLESS OTHERWISE SPECIFIED:		APVD D. TROUT 09MAY2016	SIZE
mm	0 PLC ± 1 PLC ± 2 PLC ±0.12 3 PLC ± 4 PLC ±	PRODUCT SPEC	A100779C=2287288
ANGLES		APPLICATION SPEC	SCALE
FINISH		WEIGHT	5:1
SEE TABLE		CUSTOMER DRAWING	SHEET 1 OF 2
REV A			REV A

LOC	DIST	REVISIONS					
GP	00	P	LTN	DESCRIPTION	DATE	DWN	APVD
		-		SEE SHEET 1			



PCB LAYOUT
COMPONENT SIDE
SCALE 8:1

- = SIGNAL
- ⊗ = GROUND
- ⊙ = SIGNAL INTEGRITY VIA TO GROUND

THIS DRAWING IS A CONTROLLED DOCUMENT.		DWN	TE Connectivity	
DIMENSIONS:		CHK		
mm	TOLERANCES UNLESS OTHERWISE SPECIFIED:	APVD	NAME	
<ul style="list-style-type: none"> 0 PLC ± 1 PLC ±0.12 2 PLC ± 3 PLC ± 4 PLC ± ANGLES ± 	<ul style="list-style-type: none"> PRODUCT SPEC APPLICATION SPEC 	RECEPTACLE ASSEMBLY, RIGHT ANGLE, 4 PAIR 8 COLUMN, 85 OHM PAIR-IN-COLUMN, STRADA WHISPER		
MATERIAL	FINISH	WEIGHT	SIZE	RESTRICTED TO
			A100779C=2287288	
CUSTOMER DRAWING		SCALE	SHEET	REV
		NTS	2 OF 2	A