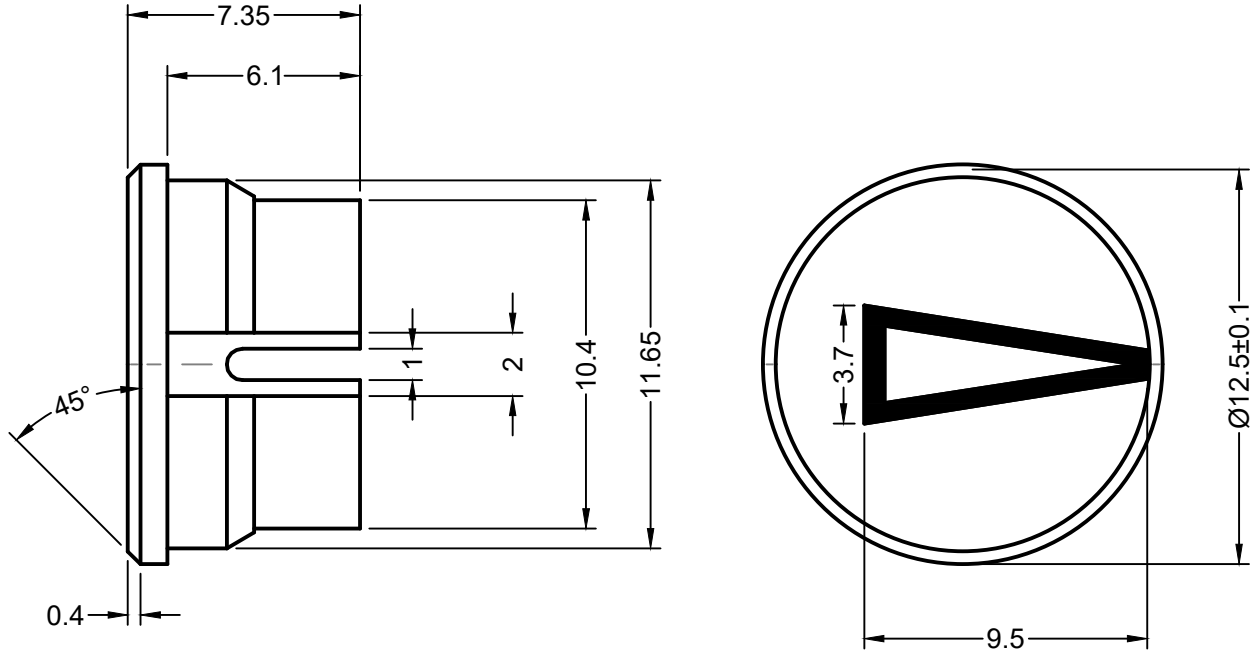


MATERIAL & FINISH:
Polyamid 6, Matte Finish

RoHS
COMPLIANT



REVISIONS

REV	DATE	CHANGE	CHK	CHK	APPR

P/N	COLORS
30-15-131	LT. GRAY
30-15-132	GRAY
30-15-133	BLACK
30-15-134	RED
30-15-135	BLUE
30-15-136	YELLOW
30-15-137	GREEN

TOLERANCE
UNLESS OTHERWISE SPECIFIED
X ± 1
X.X ± 0.4
X.XX ± 0.13

DRAWN BY	PB	DATE:	3/18/22
CHECK BY		DATE:	
APPR BY		DATE:	

Power Dynamics, Inc.

Phone: 973 560-0019 Whippary, New Jersey Fax: 973 560-0076

PART: 15MM FLAT CAP WITH ARROW
MATTE FINISH

PART #: **30-15-13X** SHEET 1 of 1

SIZE: A	ALL DIMENSIONS FOR REFERENCE ONLY DIMENSIONS ARE IN MILLIMETERS	REV:
SCALE: NTS		