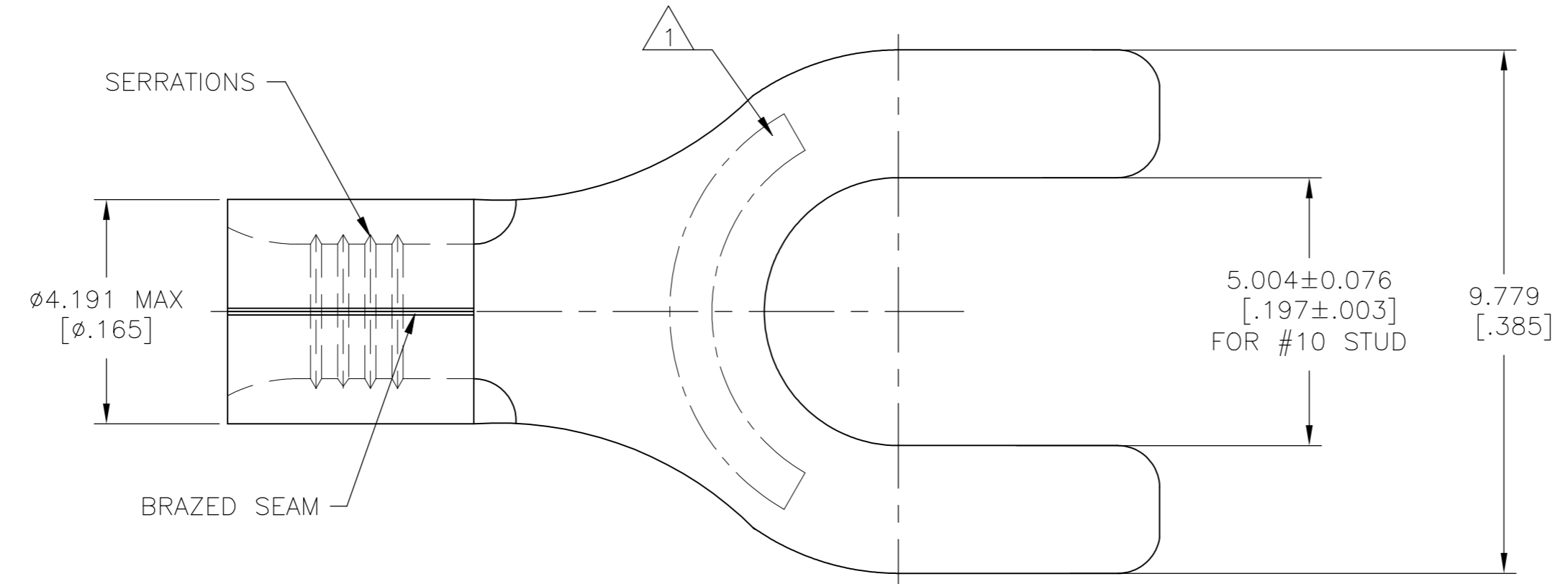


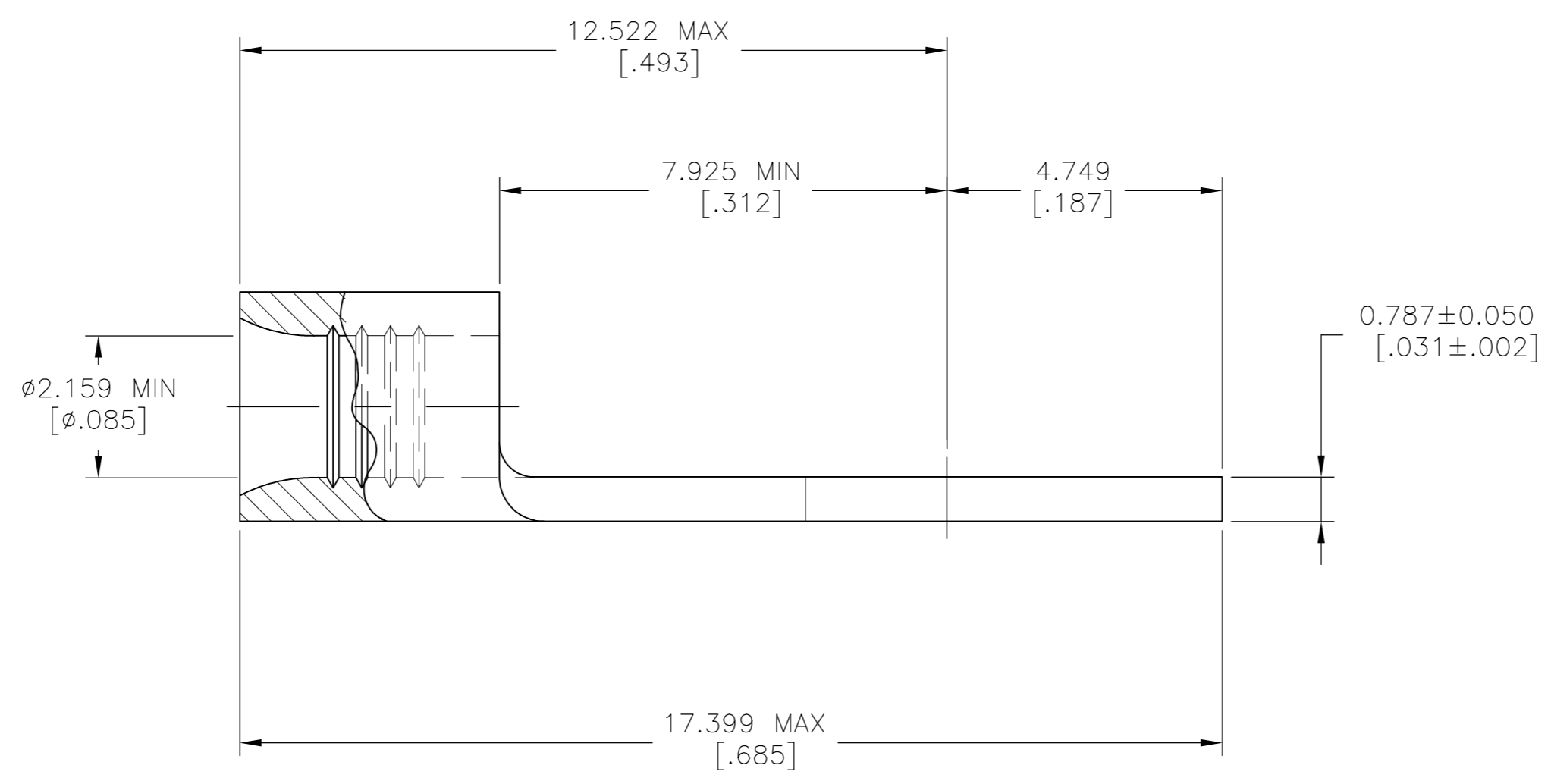
THIS DRAWING IS UNPUBLISHED. RELEASED FOR PUBLICATION
 © COPYRIGHT - TE Connectivity Ltd. ALL RIGHTS RESERVED.

REVISIONS					
P	LTR	DESCRIPTION	DATE	DWN	APVD
D		REV PER 0G3A-0121-03	19FEB03	-	MS
D1		REVISED PER ECO-17-008806	19FEB2018	RS	DR



AMP WIRE RANGE	E13288 Listed
16-14 AWG SOLID OR STRANDED	16-14 AWG SOLID OR STRANDED
LR7189 Certified	MILITARY P/N AND CLASS
16-14 AWG SOLID OR STRANDED	NOT APPLICABLE

1 STAMP AMP 16-14* APPROX AS SHOWN



1000	LOOSE PIECE	34129
QTY	PACKAGE TYPE	PART NO.

AMP INCORPORATED CUSTOMER SERVICE SYSTEMS			THIS DRAWING IS A CONTROLLED DOCUMENT.			DWN TA BRINKMAN 3-26-93 CHK DA PATTERSON 3-26-93 APVD DE MILLER 3-26-93			TE Connectivity Ltd.			
FOR ADDITIONAL PRODUCT INFORMATION OR COPIES OF DRAWINGS AND TECHNICAL DOCUMENTS PRODUCT INFORMATION CENTER 1-800-522-6752	FOR APPLICATION TOOLING ASSISTANCE CENTER 1-800-722-1111	FOR ORDER ENTRY 1-800-526-5142	MAX RECOMMENDED OPERATING TEMPERATURE: 170°C [338°F] MAX VOLTAGE RATING: NOT APPLICABLE	DIMENSIONS: mm [INCHES]	TOLERANCES UNLESS OTHERWISE SPECIFIED: 0 PLC ± - 1 PLC ± - 2 PLC ± - 3 PLC ± 0.127[.005] 4 PLC ± - ANGLES ± -	MATERIAL COPPER PER ASTM B-152 ANNEALED	FINISH TIN PLATE 0.00254[.000100] MIN THK PER ASTM B545	NAME TERMINAL, SPADE TONGUE, SOLISTRAND 16-14 AWG	SIZE A2	CAGE CODE 00779	DRAWING NO C-34129	RESTRICTED TO -
FOR ADDITIONAL PRODUCT INFORMATION OR COPIES OF DRAWINGS AND TECHNICAL DOCUMENTS PRODUCT INFORMATION CENTER 1-800-522-6752			WIRE CROSS SECTIONAL AREA RANGE, 1.04-2.62mm²[2,050-5,180] CIR MILS SOLID OR STRANDED	MATERIAL COPPER PER ASTM B-152 ANNEALED			FINISH TIN PLATE 0.00254[.000100] MIN THK PER ASTM B545	APPLICATION SPEC UL 486 A-B	WEIGHT -	SCALE 10:1	SHEET 1 of 1	REV D1