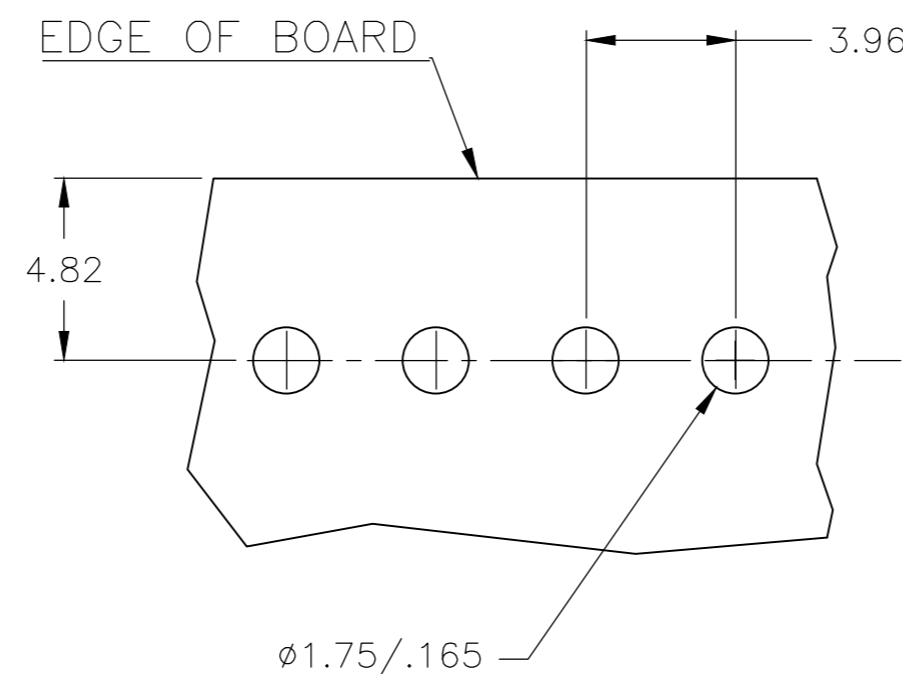
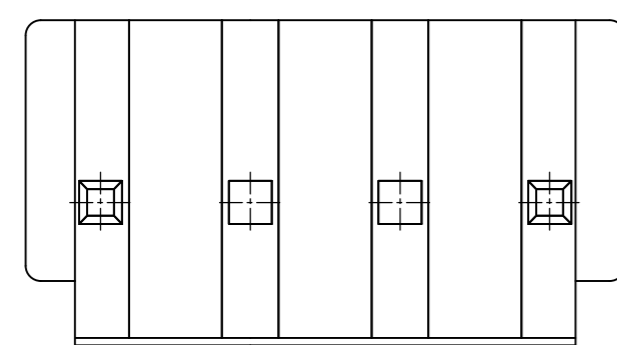
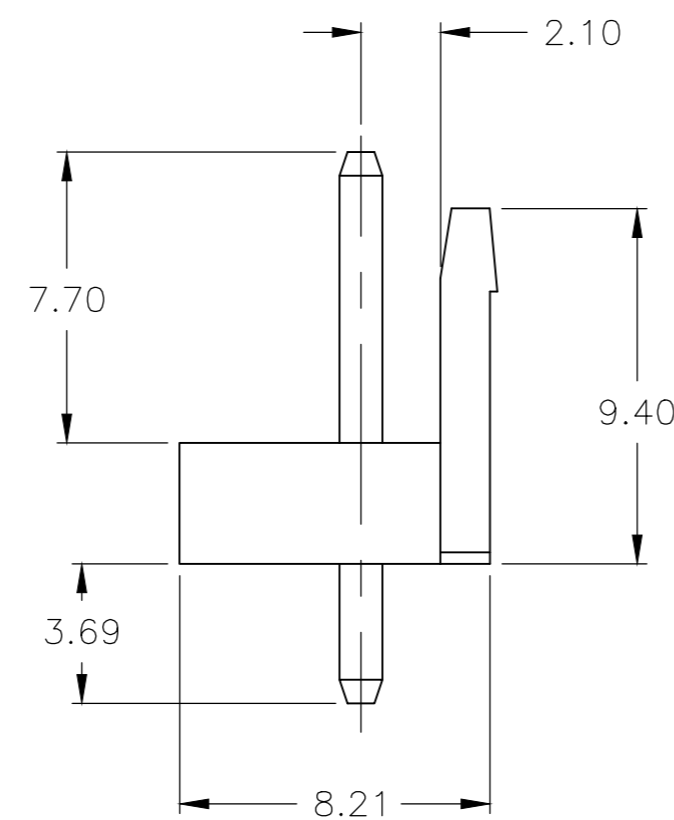
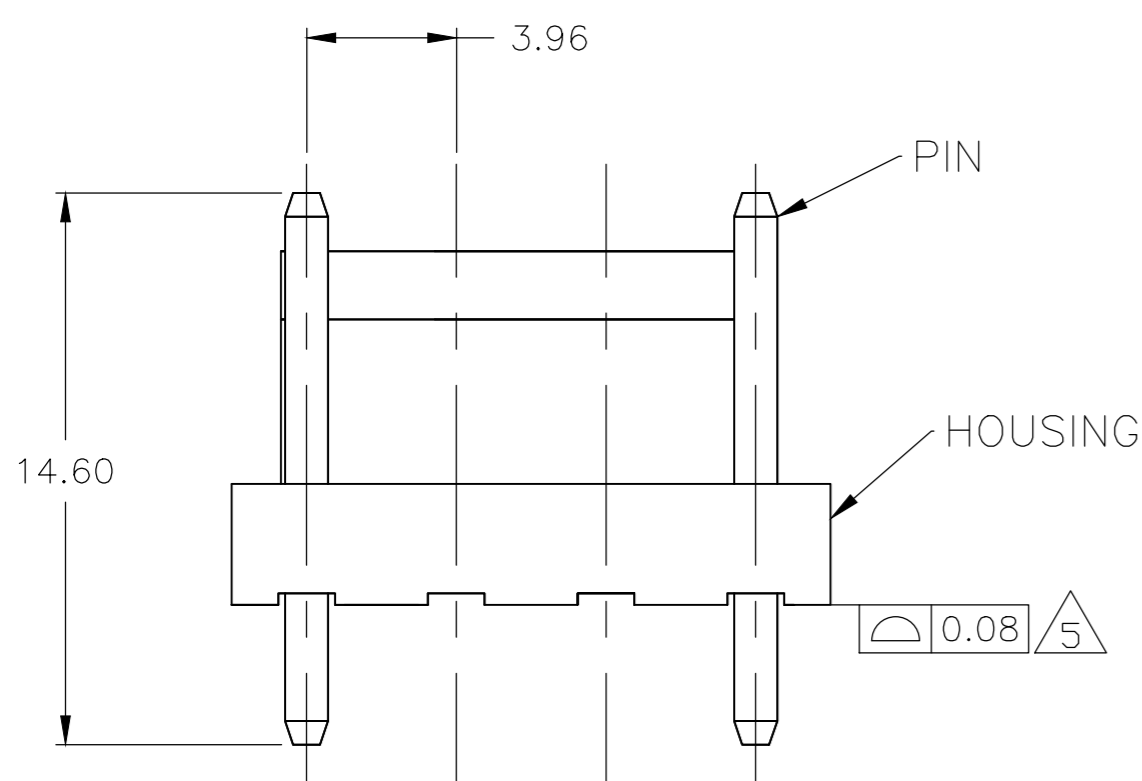
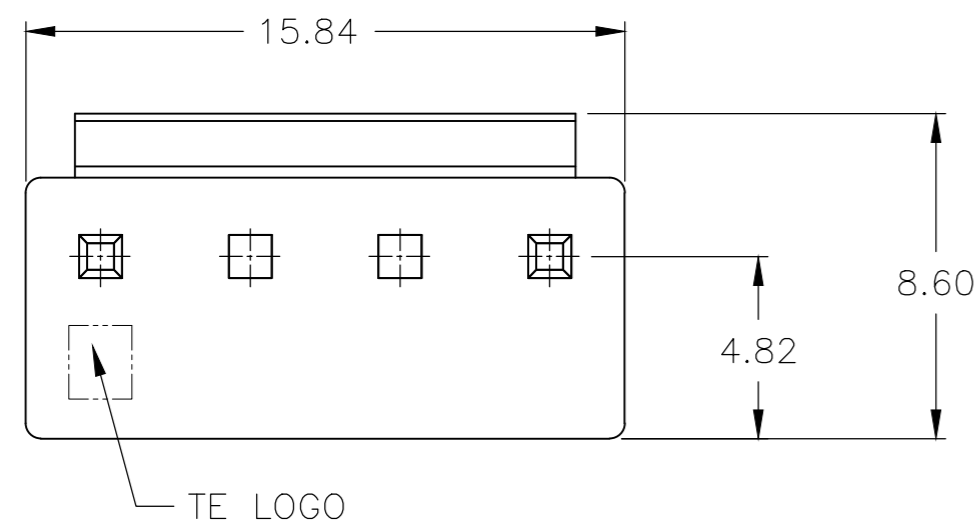


REVISIONS					
P	LTR	DESCRIPTION	DATE	DWN	APVD
AG		REVISED PER ECO-19-013474	08JAN2020	WH	DZ



RECOMMENDED MOUNTING HOLE PATTERN FOR 1.6 THICK PC BOARD

- 1 HOUSING MATERIAL: NYLON, UL94 V0.  
PIN MATERIAL: BRASS.
- 2 PIN PLATING: 0.003 [.000120] MIN TIN OVER 0.001 [.000039] NICKEL.
- 3 COMPLY WITH GLOW WIRE REQUIREMENTS FOR PARTS OF NON-METALLIC MATERIAL SUPPORTING A CURRENT-CARRYING CONNECTION DETAILED IN IEC 60335-1, SECTION 30 (GWT).
- 4 "O" WITH POST  
"X" WITHOUT POST
- 5 PRODUCT BOW SHOULD MEET 0~0.08MM(INITIAL) AND 0~0.20MM(AFTER SOLDERABILITY)

0	X	X	0	4	NATURAL	7-1565033-2
4	3	2	1	NO. OF POSITIONS	COLOR	PART NUMBER
PIN POSITIONS						

THIS DRAWING IS A CONTROLLED DOCUMENT.		DWN B WAYNE 12NOV14				
DIMENSIONS: mm		CHK TOM MICHELUTTI 12NOV14				
TOLERANCES UNLESS OTHERWISE SPECIFIED:		APVD TOM MICHELUTTI 12NOV14	NAME			
0 PLC ± -		PRODUCT SPEC	108-5609			
1 PLC ± 0.5		APPLICATION SPEC	-			
2 PLC ± 0.30		WEIGHT	-			
3 PLC ± -		SIZE	A2			
4 PLC ± -		CAGE CODE	00779			
ANGLES ± -		DRAWING NO	C=7-1565033-2			
FINISH		RESTRICTED TO	-			
1		CUSTOMER DRAWING	SCALE 5:1 SHEET 1 of 1 REV AG			
2						