

6

5

4

3

2

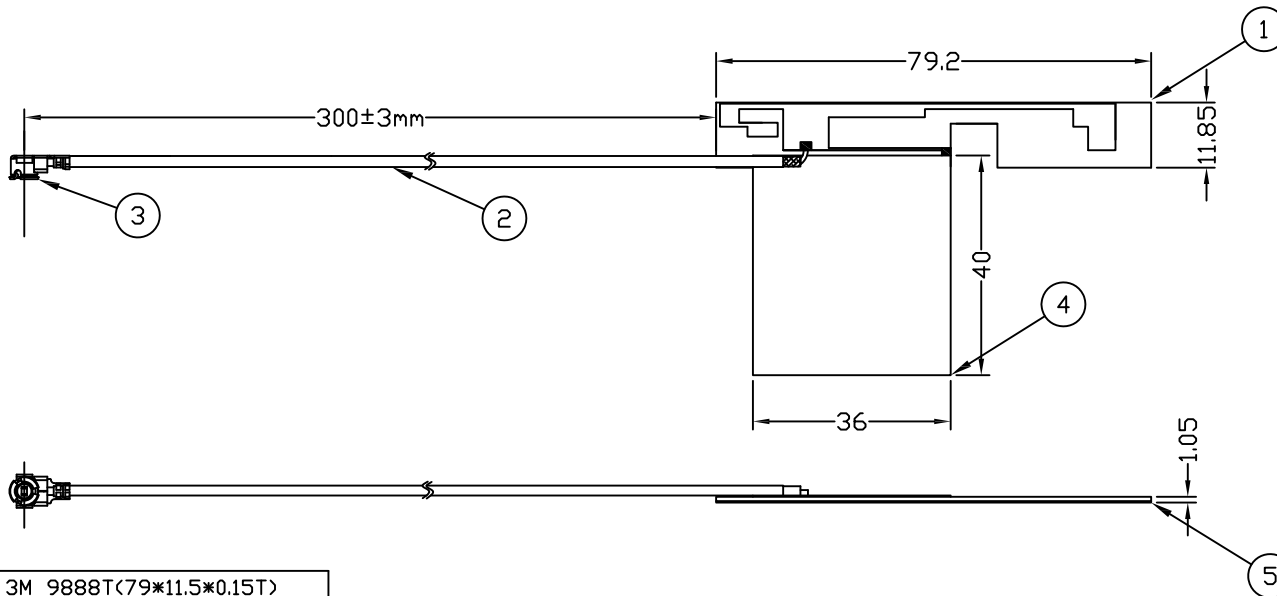
1

Rev	AWO #	Description	Date	Appr
-		RELEASED	11/15/18	

APPROVED: \_\_\_\_\_

DATE: \_\_\_\_\_ TITLE: \_\_\_\_\_

CUSTOM CABLE ASSEMBLIES ARE NON-CANCELLABLE / NON-RETURNABLE



5	TISSUE TAPE	3M 9888T(79*11.5*0.15T)
4	COPPERFOIL TAPE	COPPERFOIL TAPE(40*36*0.1T)
3	CONNECTOR	IPEX FORØ1.37
2	CABLE	Ø1.37 CABLE BLACK
1	PCB	FR-4
ITEM	PART NAME	Material

### SPECIFICATION

#### ELECTICAL PROPERTIES

FREQUENCY RANGE: 704~960/1710~2690 MHz

VSWR: 2.0

IMPEDANCE: 50Ω

GAIN: 2dBi

#### PHYSICAL PROPERTIES

WIRE: OD1.37 CABLE BLACK

CONNECTOR: IPEX

PCB: FR4

COPPERFOIL TAPE: 40\*36\*0.1T

TISSUE TAPE: 3M9888T

OPERATING TEMPERATURE: -40 ~ +80

STORAGE TEMPERATURE: -45 ~ +85

#### ENVIRONMENTAL:

LEAD FREE, ROHS COMPLIANT



UNLESS OTHERWISE SPECIFIED  
ALL DIMENSIONS ARE MILLIMETERS  
TOLERANCES: EXCEPT AS NOTED

	MM
X	± 0.25
X.X	± 0.15
X.XX	± 0.10

**ADAM**  
**TECH**  
INTERCONNECTS

909 Rahway Avenue,  
Union, NJ 07083  
Phone: 908-687-5000  
Fax: 908-687-5710

APPROVALS		DATE
DRAWN	AY	11/15/18
CHECKED	AC	11/15/18
APPROVED		

TITLE		
LTE EMBEDDED ANTENNA		
SIZE	PART NO.	REV.
X	ANT-DK-LTE0EM58-I0300	-
REF: S00291T	SCALE: NTS	SHEET 1 OF 1

6

5

4

3

2

1