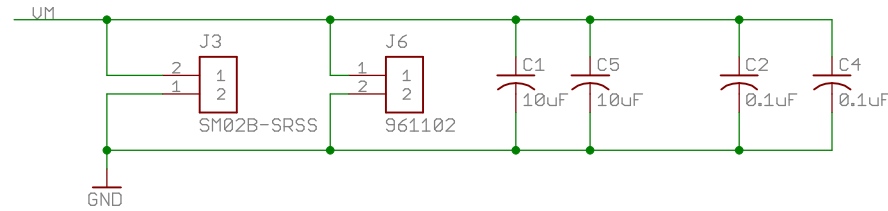


Source Connection

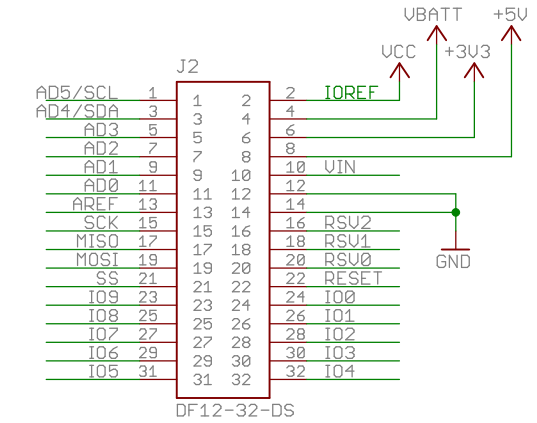


VBATT to UM Tie

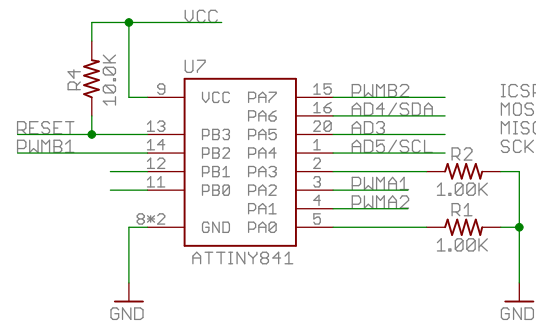
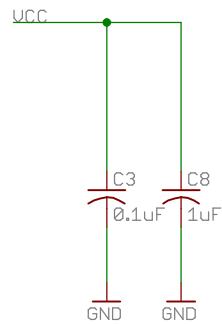


- R1 - Address bit 0, populated by default (logic 0)
- R2 - Address bit 1, populated by default (logic 0)
- R3 - Zero ohm tie between UM and VBATT, populated by default
- R4 - Reset pullup, not populated by default

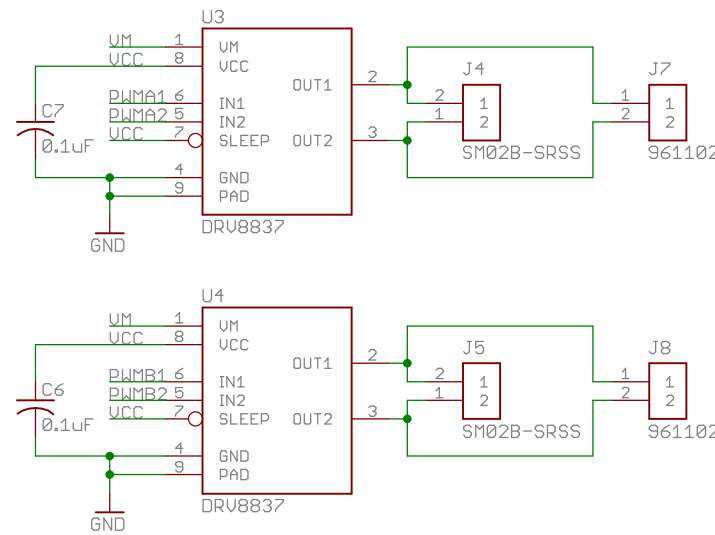
TinyShield Expansion - Bottom



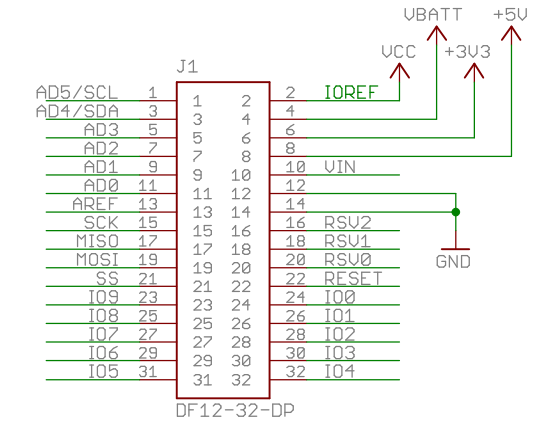
ATTiny841 I2C PWM Driver



Motor Drivers



TinyShield Expansion - Top



Released under the Creative Commons Attribution Share-Alike 3.0 License
<http://creativecommons.org/licenses/by-sa/3.0>

Original Arduino Uno Design by Team Arduino
 LilyPad Arduino Design by Leah Buechley and Sparkfun Electronics
 TinyDuino, TinyLily and TinyShield Designs by TinyCircuits

		http://www.TinyCircuits.com
TITLE: TinyShield - I2C Motor x2		
Document Number: AS-SCH-ASD2302		REV: 2
Date: 3/13/2016 6:22:13 PM	Sheet: 1/1	