

Certified Evaluation Board for the **ADM2795E** Robust 5 kV rms Isolated RS-485/RS-422 Transceiver with Level 4 EMC and Full ± 42 V Protection

FEATURES

- 5 kV rms signal isolated RS-485/RS-422 transceiver**
- Convenient connections for power supplies and signals through screw terminal blocks and jumper connections**
- 1.7 V to 5.5 V operating voltage range on VDD1 logic supply**
- 3 V to 5.5 V operating voltage range on VDD2**
- Certified RS-485 A, B bus pin protection, passing**
 - IEC 61000-4-5 surge to ± 4 kV
 - IEC 61000-4-4 electrical fast transient (EFT) to ± 2 kV
 - IEC 61000-4-2 electrostatic discharge (ESD) to ± 8 kV (contact)
 - ± 15 kV (air)
 - IEC 61000-4-6 conducted radio frequency (RF) immunity to Level 3 (10 V/m rms)
- Human body model (HBM) ESD to $> \pm 30$ kV**
- Certified IEC electromagnetic compatibility (EMC) immunity provided by isolation barrier, withstands**
 - IEC 61000-4-5 surge to ± 4 kV
 - IEC 61000-4-4 EFT to ± 2 kV
 - IEC 61000-4-2 ESD to ± 9 kV (contact)
 - ± 8 kV (air)
 - IEC 61000-4-6 conducted RF immunity Level 3 (10 V/m rms)
- Certified evaluation board, passing**
 - IEC 61000-4-3 radiated RF immunity Level 4 (30 V/m)
 - IEC 61000-4-8 magnetic field immunity Level 5 (100 A/m)
 - EN 55022 Class B radiated emissions with 6 dB μ V margin
- Provides A, B bus pin fault protection to ± 42 V ac/dc peak**

EVALUATION KIT CONTENTS

[EVAL-ADM2795EEBZ](#)

GENERAL DESCRIPTION

Use the [EVAL-ADM2795EEBZ](#) to easily evaluate the [ADM2795E](#) 5 kV rms signal isolated RS-485/RS-422 transceiver with Level 4 IEC EMC and 24 V supply fault protection. The [EVAL-ADM2795EEBZ](#) evaluation board is easily configured through jumper connections and screw terminal blocks for signal and power connections. The [EVAL-ADM2795EEBZ](#) can be powered with either a 9 V battery or a standard configurable bench top power supply. An on-board trimmer potentiometer and an on-board regulator circuit on both VDD1 and VDD2 allow easy power configuration when connected to a 9 V battery.

CERTIFIED IEC EMC RS-485 EVALUATION BOARD

The [EVAL-ADM2795EEBZ](#) evaluation board has been lab tested and certified to provide RS-485 A, B bus pin protection against IEC 61000-4-5 surges to ± 4 kV, IEC 61000-4-4 EFT to ± 2 kV, and IEC 61000-4-2 ESD to ± 8 kV for contact and ± 15 kV for air. The [ADM2795E](#) isolation barrier was also tested and certified to provide robust IEC EMC immunity. The [EVAL-ADM2795EEBZ](#) can withstand high voltage faults to ± 42 V ac/dc peak on RS-485 A, B bus pins. The [EVAL-ADM2795EEBZ](#) meets stringent EMI emissions targets with a 6 dB μ V margin from EN 55022 Class B limits, by using a 120 pF, 0603 body size capacitor on the printed circuit board (PCB) trace connected to the RxD pin.

EVALUATION BOARD PHOTOGRAPH

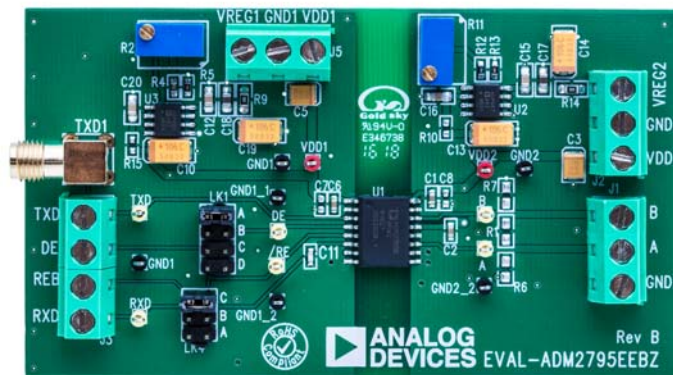


Figure 1.

TABLE OF CONTENTS

Features	1	IEC 61000-4-4 Electrical Fast Transients (EFT).....	5
Evaluation Kit Contents.....	1	IEC 61000-4-5 Surge.....	6
General Description	1	IEC 61000-4-6 Conducted RF Immunity	7
Certified IEC EMC RS-485 Evaluation Board.....	1	IEC 61000-4-3 Radiated RF Immunity	8
Evaluation Board Photograph.....	1	IEC 61000-4-8 Magnetic Immunity	8
Revision History	2	±42 V Fault Protection	9
Evaluation Board Hardware Configuration	3	RS-485 Network Biasing and Termination	9
Test Setup.....	3	Passing EN 55022 Class B Radiated Emissions.....	10
Jumper Settings.....	3	Evaluation Board Schematics.....	12
Termination and Pull-Up/Pull-Down Resistors	4	Assembly Drawings and Board Layout	14
Decoupling and Reservoir Capacitors	4	Ordering Information.....	15
Board Internal Layer Thickness	4	Bill of Materials.....	15
IEC EMC Robust RS-485 Evaluation Board.....	4		
IEC 61000-4-2 Electrostatic Discharge (ESD).....	5		

REVISION HISTORY

9/2016—Revision 0: Initial Version

EVALUATION BOARD HARDWARE CONFIGURATION

TEST SETUP

The EVAL-ADM2795EEBZ evaluation board is shown in Figure 2 with the default jumper settings on LK1 and LK4 (driver and receiver enabled), power connections on J5 and J2, input signal connection on J3, and probes attached to RXD, TXD, A, and B for a loopback test.

JUMPER SETTINGS

Use the jumpers on the EVAL-ADM2795EEBZ evaluation board to configure the inputs on the ADM2795E (see Table 1). Do not place multiple jumper blocks on LK1 and LK4 because the input sources can short together. For each link, move a single jumper block from one position to another, as specified in Table 1.

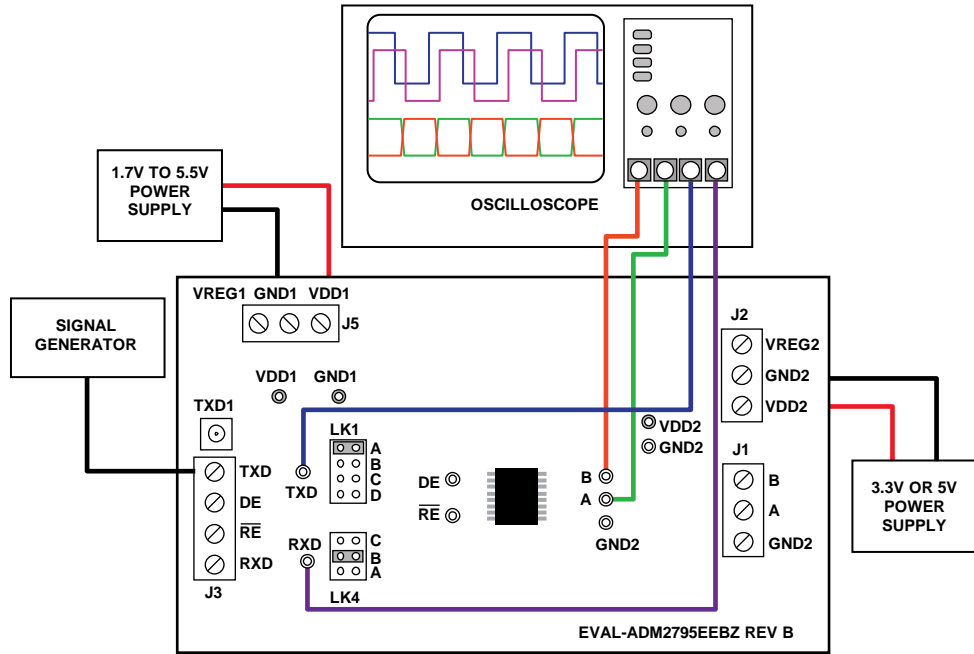


Figure 2. Basic Operation of the Evaluation Board for the ADM2795E Robust 5 kV rms Isolated RS-485 Transceiver with Level 4-EMC and Full ±42 V Protected

Table 1. Jumper Configuration

Link	Connection	Description
LK1	A	Connects the driver enable input (DE) of the ADM2795E to V _{DD1} . This setting enables the driver.
	B	Connects the driver enable input (DE) of the ADM2795E to GND1. This setting disables the driver.
	C	Connects the driver enable input (DE) of the ADM2795E to the J3-2 terminal block connector.
	D	Connects the driver enable input (DE) of the ADM2795E to the receiver enable input ($\overline{\text{RE}}$); that is, LK7 sets the input for both $\overline{\text{RE}}$ and DE. This setting ensures that when the driver is enabled, the receiver is disabled, or when the driver is disabled, the receiver is enabled.
LK4	A	Connects the receiver enable input ($\overline{\text{RE}}$) of the ADM2795E to V _{DD1} . This setting disables the receiver.
	B	Connects the receiver enable input ($\overline{\text{RE}}$) of the ADM2795E to GND1. This setting enables the receiver.
	C	Connects the receiver enable input ($\overline{\text{RE}}$) of the ADM2795E to the J3-3 terminal block connector.

TERMINATION AND PULL-UP/PULL-DOWN RESISTORS

The [EVAL-ADM2795EEBZ](#) evaluation board includes a R1 footprint for fitting a termination resistor between the A and the B driver outputs/receiver inputs. By default, the [EVAL-ADM2795EEBZ](#) is not fitted with a 120 Ω resistor (R1) between the A and B pins. If the [EVAL-ADM2795EEBZ](#) is connected to a bus that is already terminated at both ends, remove this resistor. For more information about proper termination, see the [AN-960 Application Note, RS-485/RS-422 Circuit Implementation Guide](#).

Although the [ADM2795E](#) has a built-in receiver fail-safe for the bus idle condition, there are footprints on the [EVAL-ADM2795EEBZ](#) evaluation board for fitting the R6 pull-up resistor to VDD2 on A, as well as the R7 pull-down resistor to GND2 on B. These resistors can be fitted when the user connects to other devices that require such external biasing resistors on the bus. The exact value required for a 200 mV minimum differential voltage in the bus idle condition depends on the VDD2 supply voltage (for example, 960 Ω for 3.3 V and 1440 Ω for 5 V). For more information about the bus idle fail-safe, see the [AN-960 Application Note, RS-485/RS-422 Circuit Implementation Guide](#).

DECOUPLING AND RESERVOIR CAPACITORS

The [EVAL-ADM2795EEBZ](#) uses the following decoupling and reservoir capacitors:

- On the logic side of the [EVAL-ADM2795EEBZ](#), the C5 and C6 capacitors must be 10 μF tantalum and 100 nF ceramic capacitors, respectively, and the C7 capacitor must not be fitted.
- On the bus side of the [EVAL-ADM2795EEBZ](#), the C3 and C1 capacitors must be 10 μF tantalum and 100 nF ceramic capacitors, respectively, and the C8 capacitor must not be fitted. A 100 nF ceramic capacitor (C2) must also be connected between Pin 12 and Pin 13.

Additional capacitors must be added for power regulation circuits:

- The C10, C13, C14, and C19 10 μF tantalum capacitors must be added to the VDD1 power regulation circuit.
- The C17 and C18 10 μF ceramic capacitors must be added to the VDD2 power regulation circuit.
- The C12, C15, C16, and C20 100 nF ceramic capacitors must be added to the power regulation circuits.

BOARD INTERNAL LAYER THICKNESS

The [EVAL-ADM2795EEBZ](#) evaluation board consists of two layers. The spacing between the top and bottom layer is 1.6 mm. The [EVAL-ADM2795EEBZ](#) PCB has greater than 0.4 mm between Layer 1 and Layer 2, meeting requirements for isolation standards IEC 61010 Third Edition and IEC 60950, as described in the [AN-1109 Application Note, Recommendations for Control of Radiated Emissions with iCoupler Devices](#).

IEC EMC ROBUST RS-485 EVALUATION BOARD

The [EVAL-ADM2795EEBZ](#) evaluation board has been lab tested and certified to provide RS-485 A, B bus pin protection for the following IEC system level standards and test levels:

- Protection against IEC 61000-4-5 surge to ± 4 kV
- Protection against IEC 61000-4-4 EFT to ± 2 kV
- Protection against IEC 61000-4-2 ESD to ± 8 kV for contact and ± 15 kV for air
- IEC 61000-4-6 conducted RF immunity to Level 3 (10 V/m rms)

The [EVAL-ADM2795EEBZ](#) was lab tested and confirmed to pass HBM ESD to $> \pm 30$ kV on the RS-485 A, B bus pins.

The [EVAL-ADM2795EEBZ](#) was lab tested and certified as follows to a number of IEC standards showing the robust EMC immunity provided by the isolation barrier:

- Withstands IEC 61000-4-5 surge to ± 4 kV
- Withstands IEC 61000-4-4 EFT to ± 2 kV
- Withstands IEC 61000-4-2 ESD ± 9 kV contact and ± 8 kV air
- IEC 61000-4-6 conducted RF immunity Level 3 (10 V/m)

The [EVAL-ADM2795EEBZ](#) evaluation board meets stringent EMI emissions targets (EN55022 Class B) with minimal PCB layout considerations. To achieve a 6 dB $\mu\text{V}/\text{m}$ margin from EN55022 Class B limits, a 120 pF, 0603 body size capacitor must be added on the PCB trace connected to the RxD pin. The [EVAL-ADM2795EEBZ](#) evaluation board also meets the following immunity standards:

- IEC 61000-4-3 radiated RF immunity Level 4 (30 V/m)
- IEC 61000-4-8 magnetic field immunity Level 5 (100 A/m)

The [EVAL-ADM2795EEBZ](#) evaluation board can withstand high voltage faults to ± 42 V ac/dc peak on RS-485 A, B bus pins.

IEC 61000-4-2 ELECTROSTATIC DISCHARGE (ESD)

The IEC 61000-4-2 ESD standard describes the tests using two coupling methods: contact discharge and air gap discharge. Contact discharge implies a direct contact between the discharge gun and the unit under test. During air discharge testing, the charged electrode of the discharge gun moves toward the unit under test until a discharge occurs as an arc across the air gap. The discharge gun does not make direct contact with the unit under test. The ADM2795E data sheet provides additional information on the IEC 61000-4-2 ESD standard, including test waveforms. Figure 3 shows an example test setup where the EVAL-ADM2795EEBZ PCB was tested to both contact and air discharge IEC 61000-4-2 ESD. Testing was performed in normal transceiver operation, with the ADM2795E clocking data at 2.5 Mbps. Testing was performed with the IEC ESD gun connected to the Local Bus Ground 2 (GND2), and in this configuration, Table 2 shows that the ADM2795E protects against IEC 61000-4-2 Level 4.

In addition, testing was performed with an IEC ESD gun connected to the logic side, Ground 1 (GND1). Testing to GND1 demonstrates the robustness of the ADM2795E isolation barrier. The isolation barrier is capable of withstanding the IEC ESD test levels as described in Table 2. Table 11 details the Class B compliance of the ADM2795E to the IEC 61000-4-2 ESD.

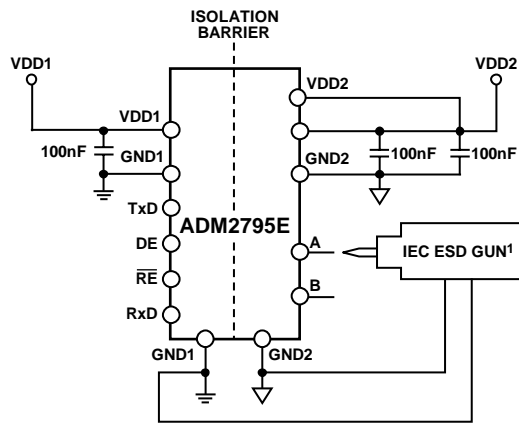


Figure 3. IEC 61000-4-2 ESD Testing to GND1 or GND2

IEC 61000-4-4 ELECTRICAL FAST TRANSIENTS (EFT)

During IEC 61000-4-4 EFT testing, EFT fast burst transients were coupled onto RS-485 communication lines using a capacitive clamp, as shown in Figure 4. The IEC EFT clamp edge was placed at 50 cm away from the equipment under test, EUT (EVAL-ADM2795EEBZ). The EFT generator was setup for both 5 kHz and 100 kHz repetitive EFT bursts. The ADM2795E data sheet provides additional information on the IEC 61000-4-4 EFT standard, including test waveforms. Testing was performed in normal transceiver operation, with the ADM2795E clocking data at 2.5 Mbps.

With the IEC EFT clamp connected to GND2, the ADM2795E is robust to IEC EFT transients and protects against the highest level recognized in the Level 4 standard, which defines a voltage level of ±2 kV. With the IEC EFT clamp connected to GND1, the ADM2795E is robust to IEC EFT transients and withstands up to ±2 kV. Testing to GND1 demonstrates the robustness of the ADM2795E isolation barrier. Table 3 summarizes the IEC 61000-4-4 EFT certified test results. Table 3 results are valid for setup with or without an RS-485 cable shield connection to GND2. Table 11 details the Class B compliance of the ADM2795E to the IEC 61000-4-4 EFT.

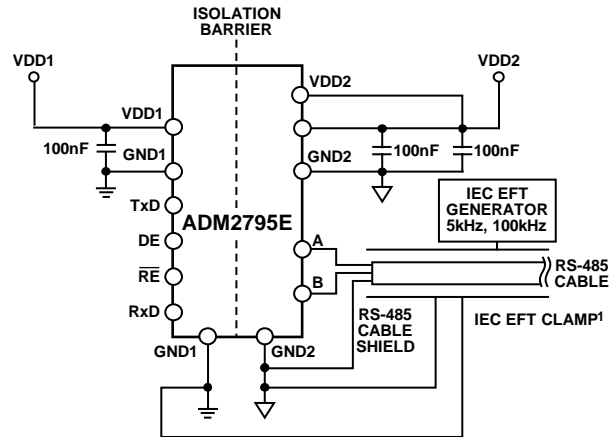


Figure 4. IEC 61000-4-4 EFT Testing to GND1 or GND2

Table 2. IEC 61000-4-2 ESD Certified Test Results

ESD Gun Connection Point	IEC 61000-4-2 Test Result	Certified Result
GND2	±15 kV for air and ±8 kV for contact, Level 4 protection	Yes
GND1	Withstands ±8 kV for air and ±9 kV for contact	Yes

Table 3. IEC 61000-4-4 EFT Certified Test Results

EFT Clamp Connection Point	IEC 61000-4-4 Test Result	Certified Result
GND2	±2 kV Level 4 protection	Yes
GND1	Withstands ±2 kV	Yes

IEC 61000-4-5 SURGE

IEC 61000-4-5 surge testing involved using a coupling network to couple the surge transient into the RS-485 A, B bus pins. The coupling network for a half duplex RS-485 device consists of an 80 Ω resistor on both the A and B lines and a coupling device. The total parallel sum of the resistance is 40 Ω. The coupling device (CD) can be capacitors, gas arrestors, clamping devices, or any method that allows the EUT to function correctly during the applied test. During the surge test, five positive and five negative pulses were applied to the data ports with a maximum time interval of one minute between each pulse. Testing was performed in normal transceiver operation with the [ADM2795E](#) clocking data at 2.5 Mbps. Figure 5 shows the test setup for surge testing. The [ADM2795E](#) data sheet provides additional information on the IEC 61000-4-5 surge, including test waveforms.

With the IEC surge generator connected to GND2, the [ADM2795E](#) is robust to IEC 61000-4-5 events and protects against the highest level recognized in the Level 4 standard, which defines a peak voltage of ±4 kV.

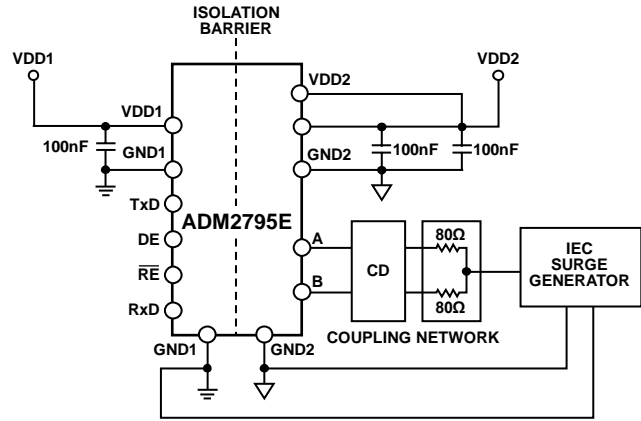


Figure 5. IEC 61000-4-5 Surge Testing to GND1 or GND2

With the IEC surge generator connected to GND1, the [ADM2795E](#) is robust to IEC 61000-4-5 events and withstands up to ±4.0 kV. Testing to GND1 demonstrates the robustness of the [ADM2795E](#) isolation barrier. Table 4 summarizes the certified test results. Table 11 details the Class B compliance of the [ADM2795E](#) to the IEC 61000-4-5 surge when tested to GND2, and Class A compliance of the [ADM2795E](#) to the IEC 61000-4-5 surge when tested to GND1.

Table 4. IEC 61000-4-5 Surge Certified Test Results

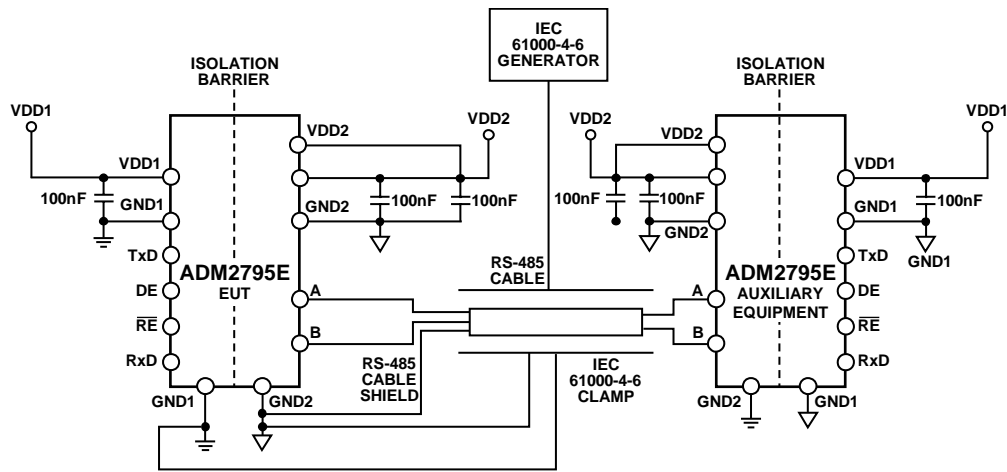
Surge Generator Connection Point	IEC 61000-4-5 Test Result	Certified Result
GND2	±4 kV Level 4 protection	Yes
GND1	Withstands ±4 kV	Yes

IEC 61000-4-6 CONDUCTED RF IMMUNITY

The EVAL-ADM2795EEBZ was lab tested and certified to pass IEC 61000-4-6 conducted RF immunity testing to Level 3 (10 V/m rms). The IEC 61000-4-6 conducted immunity test is applicable to products that operate in environments where RF fields are present, and where they are connected to the mains power supplies or other networks (signal or control lines). The source of conducted disturbances are electromagnetic fields, emanating from RF transmitters that may act on the whole length of cables connected to installed equipment. In the IEC 61000-4-6 test, the RF voltage swept and stepped from 150 kHz to 80 MHz. The RF voltage was amplitude modulated 80% at 1 kHz. The RF voltage was applied to the EUT (one EVAL-ADM2795EEBZ) using a clamp, as specified in Table 6. The clamp was placed on

a communications cable between two EVAL-ADM2795EEBZ. The ADM2795E was tested to Level 3, which is the highest test level of 10 V. For all testing, the equipment and EUT setup is described in Table 5 and Figure 6. For all tests, the IEC 61000-4-6 clamp was placed at the EVAL-ADM2795EEBZ EUT, and the cable shield was either floating or earthed. The second EVAL-ADM2795EEBZ (auxiliary equipment) was placed on the network to terminate the communications bus. Table 6 shows the test results where the EUT passed IEC 61000-4-6 to Level 3. The IEC 61000-4-6 generator clamp was connected to either GND1 or GND2 to provide a return current path for the IEC 61000-4-6 transient current.

Table 11 details the Class A compliance of the ADM2795E to the IEC 61000-4-6 conducted RF immunity.



¹IEC SURGE GENERATOR GROUND RETURN PATH IS CONNECTED TO EITHER GND1 OR GND2

Figure 6. IEC 61000-4-6 Conducted RF Immunity Example Test Setup

14685-006

Table 5. IEC 61000-4-6 EUT Set Up and Equipment

Parameter	Details
IEC 61000-4-6 Clamp	Schaffner KEMZ 801, placed at 30 cm away from the EUT
IEC 61000-4-6 Test Level	Level 3, 0.15 MHz to 100 MHz, 10 V/m rms, 80% amplitude modulated by a 1 kHz sinusoidal
EUT	EVAL-ADM2795EEBZ
EUT Data Rate	2.5 Mbps
EUT Power	9 V battery at VDD1 and VDD2, regulated on EUT to 5 V
Cable Between EUT	5 m, Unित्रonic ProfiBus, 22 American wire gauge (AWG)
Cable Termination	120 Ω resistor at both cable ends
Pass/Fail Criteria	Pass: data at receiver with a pulse width distortion within 10% of mean

Table 6. IEC 61000-4-6 Conducted RF Immunity Certified Test Results

Clamp Location	Cable Shield	Current Return Path	IEC 61000-4-6 Test Frequency (MHz)	Certified Result
30 cm from EUT	Floating	GND1	0.15 to 80	Pass
30 cm from EUT	Earthed	GND1	0.15 to 80	Pass
30 cm from EUT	Floating	GND2	0.15 to 80	Pass
30 cm from EUT	Earthed	GND2	0.15 to 80	Pass

IEC 61000-4-3 RADIATED RF IMMUNITY

Testing to IEC 61000-4-3 ensures that electronic equipment is immune to commonly occurring radiated RF fields. Some commonly occurring unintentional RF emitting devices in an industrial application are electric motors and welders.

In the IEC 61000-4-3 test, an antenna in a shielded anechoic chamber using a precalibrated field, swept from 80 MHz to 2.7 GHz, generated a radiated RF field. The RF voltage was amplitude modulated 80% at 1 kHz. Each face of the EUT was subjected to vertical and horizontal polarizations.

Figure 7 shows the IEC 61000-4-3 radiated RF immunity test setup with the EUT (EVAL-ADM2795EEBZ) placed in an anechoic chamber, powered with two 9 V batteries. The EVAL-ADM2795EEBZ on-board regulators power VDD1 and VDD2 at 5 V. The EVAL-ADM2795EEBZ is loaded with a R1 termination 120 Ω resistance (see Figure 12) for the duration of the test. A pattern generator provides 2.5 Mbps of data input to the ADM2795E TxD pin. The ADM2795E receiver output (RxD) was monitored with an oscilloscope.

The pass criteria is less than a 10% change in the bit width of the RxD signal in the presence of the IEC 61000-4-3 radiated RF field.

The EVAL-ADM2795EEBZ was tested and certified to pass the IEC 61000-4-3 radiated RF immunity testing to Level 4 (30 V/m). Level 4 is the highest level in the IEC 61000-4-3 standard. Table 11 details the Class A compliance of the ADM2795E to the IEC 61000-4-3 radiated RF immunity.

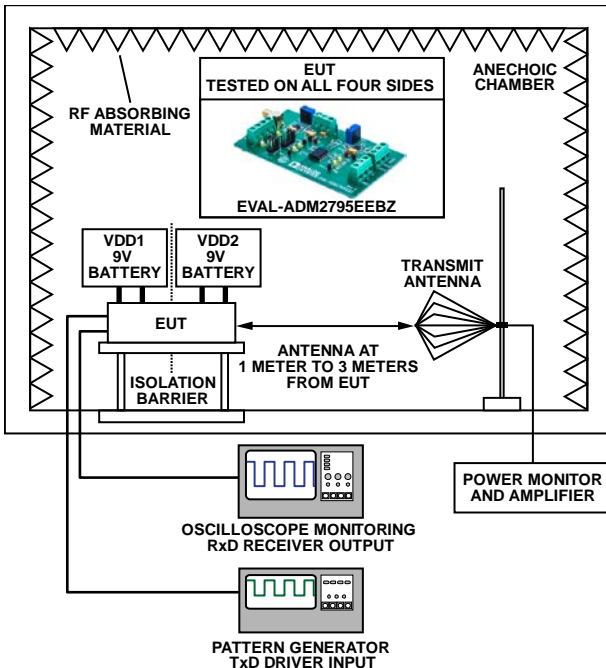


Figure 7. IEC 61000-4-3 Radiated RF Immunity Test Setup

14685-107

IEC 61000-4-8 MAGNETIC IMMUNITY

Testing to IEC 61000-4-8 ensures that electronic equipment is immune to commonly occurring magnetic fields. The source of magnetic fields in typical industrial communication applications is a power line current or 50/60 Hz transformers in close proximity to equipment.

In the IEC 61000-4-8 test, a controlled magnetic field of defined field strength was produced by driving a large coil (induction coil) with a test generator. The EUT was placed at the center of the induction coil, subjecting the EUT to a magnetic field.

Figure 8 shows the IEC 61000-4-8 magnetic immunity test setup with the EUT (EVAL-ADM2795EEBZ) placed in an anechoic chamber, powered with two 9 V batteries. The EVAL-ADM2795EEBZ on-board regulators power VDD1 and VDD2 at 5 V. The EVAL-ADM2795EEBZ is loaded with a R1 termination 120 Ω resistance (see Figure 12) for the duration of the test. A pattern generator provides 2.5 Mbps of data input to the ADM2795E TxD pin. The ADM2795E receiver output (RxD) was monitored with an oscilloscope. The pass criteria is less than a 10% change in the bit width of the RxD signal in the presence of the IEC 61000-4-8 magnetic field.

The EVAL-ADM2795EEBZ was tested and certified to pass IEC 61000-4-8 magnetic immunity testing to Level 5 (100 A/m). Level 5 is the highest level specified in the IEC 61000-4-8 standard. Table 11 details the Class A compliance of the ADM2795E to the IEC 61000-4-8 magnetic immunity.

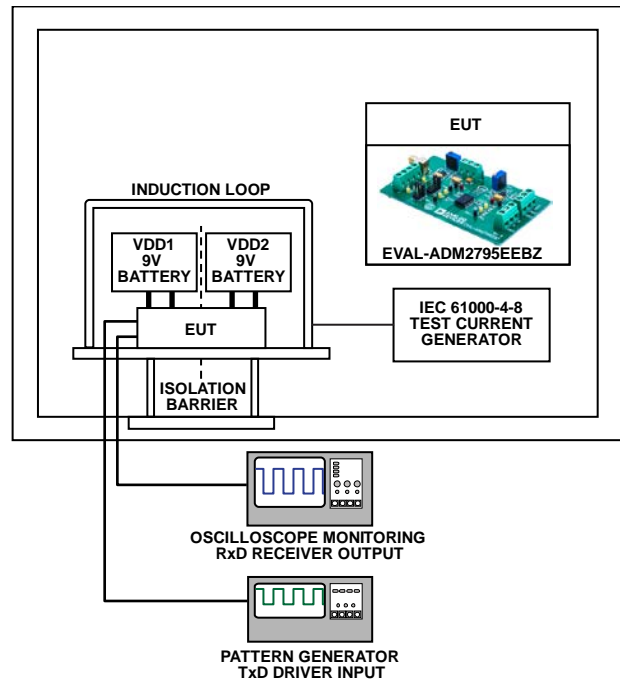


Figure 8. IEC 61000-4-8 Magnetic Immunity Test Setup

14685-108

±42 V FAULT PROTECTION

The **ADM2795E** is protected against high voltage miswire events when it operates on a bus that does not have RS-485 termination or bus biasing resistors installed. A typical miswire event is where a high voltage 24 V ac/dc power supply is connected directly to RS-485 bus pin connectors. The **ADM2795E** can withstand miswiring faults of up to ±42 V peak on the RS-485 bus pins with respect to GND₂ without damage. Miswiring protection is guaranteed on the **ADM2795E** RS-485 A, B bus pins and is guaranteed in the case of a hot swap of connectors to the bus pins. Table 7 and Table 8 provide a summary of the high voltage miswire protection offered by the **ADM2795E**. The **EVAL-ADM2795EEBZ** was tested with ±42 V dc and with ±24 V ± 20% rms, 50 Hz/60Hz, with both a hot plug and dc ramp test waveforms. The test was performed in both powered and unpowered/floating power supply cases, and at a range of different states for the RS-485 Tx/D input and DE/RE enable pins. The RS-485 bus pins survive a high voltage miswire from Pin A to ground, from Pin B to ground, and between Pin A and Pin B.

Table 7. Miswire Protection Table Abbreviations

Letter	Description
H	High level for logic pin
L	Low level for logic pin
X	On or off power supply state

Table 8. High Voltage Miswire Protection

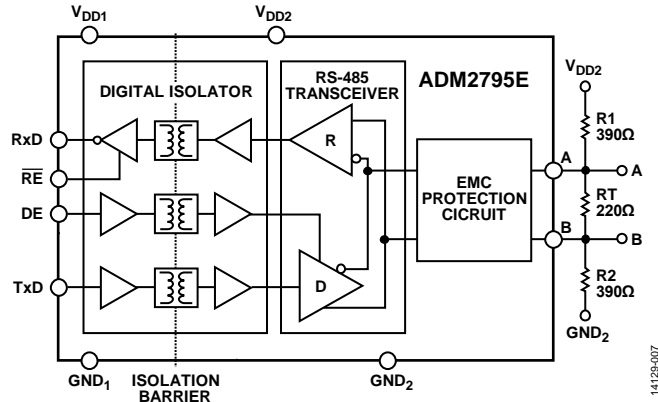
Supply		Inputs			Miswire Protection at RS-485 Outputs Pins ^{1,2}
V _{DD1}	V _{DD2}	DE	RE	TxD	
X	X	H/L	H/L	H/L	-42 V dc ≤ V _A ≤ +42 V dc
X	X	H/L	H/L	H/L	-42 V dc ≤ V _B ≤ +42 V dc
X	X	H/L	H/L	H/L	-42 V ac ≤ V _A ≤ +42 V ac
X	X	H/L	H/L	H/L	-42 V ac ≤ V _B ≤ +42 V ac

¹ This is the ac/dc peak miswire voltage between Pin A and GND₂, or Pin B and GND₂, or between Pin A and Pin B.
² V_A refers to the voltage on Pin A, and V_B refers to the voltage on Pin B.

RS-485 NETWORK BIASING AND TERMINATION

For a high voltage miswire on the RS-485 A, B bus pins with biasing and termination resistors installed, there is a current path through the biasing network to the **ADM2795E** power supply V_{DD2} pin. To protect the **ADM2795E** in this scenario, the device has an integrated V_{DD2} protection circuit. The **ADM2795E** is the only fault protected RS-485 device on the market that also features protection for its power supply pin. This protection means that the current path through the R1 pull-up resistor does not cause damage to the V_{DD2} pin, although the pull-up resistor itself can be damaged if it is not appropriately power rated (see Figure 9). The R1 pull-up resistor, power rating depends on the miswire voltage and the resistance value.

If there is a miswire between the A and the B pins in the Figure 9 bus setup, the **ADM2795E** is protected, but the RT bus termination resistor can be damaged if not appropriately power rated. The RT termination resistor, power rating depends on the miswire voltage and the resistance value.



*Figure 9. High Voltage Miswiring Protection for the **ADM2795E** with Bus Termination and Biasing Resistors*

PASSING EN 55022 CLASS B RADIATED EMISSIONS

The EVAL-ADM2795EEBZ passed the EN 55022 Class B radiated emissions standard. The EVAL-ADM2795EEBZ was configured and tested with 1.7 V VDD1 and 3.0 V VDD2 power supplies, and it was also tested with 5.0 V VDD1 and 5.0 V VDD2 power supplies. Testing was performed at a 2.5 Mbps clock data on the TxD input. The RS-485 A, B bus pins were loaded with a 120 Ω termination resistor. Testing was also performed without a 120 Ω termination resistor.

Measurements were done in a semianechoic chamber at 10 meters within the 30 MHz to 2 GHz frequency range. Table 9 shows the list of test equipment used. Figure 10 and Figure 11 show the results of the worst case horizontal and vertical scans with 5.0 V VDD1 and 5.0 V VDD2 power supplied to the ADM2795E, using 9 V batteries and on-board regulator circuitry, with data switching at the 2.5 Mbps clock on TxD, and a 120 Ω termination resistor installed at R1 on the EVAL-ADM2795EEBZ. Table 10 details the certified results. The EVAL-ADM2795EEBZ evaluation board meets the EN 55022 Class B emission standard with more than a 6 dB μV margin. To obtain a 6 dB μV margin, it is recommended that a 120 pF, 0603 body size capacitor be added on the PCB trace connected to the RxD pin. EN 55022 Class B certification documents for the EVAL-ADM2795EEBZ evaluation board are available upon request from Analog Devices, Inc.

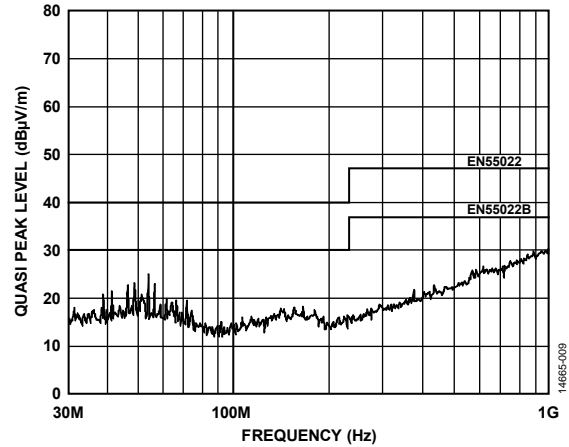


Figure 11. Worst Case Vertical Emissions, VDD1 = VDD2 = 5 V

Table 9. Radiated Emissions Test Equipment

Instrument	Manufacturer	Model
Measuring Receiver	Rohde & Schwarz	ESVS30
Bilog Antenna	Chase	Not applicable
Spectrum Analyzer	Agilent	E4408B
Horn Antenna	EMCO	EMCO 3115

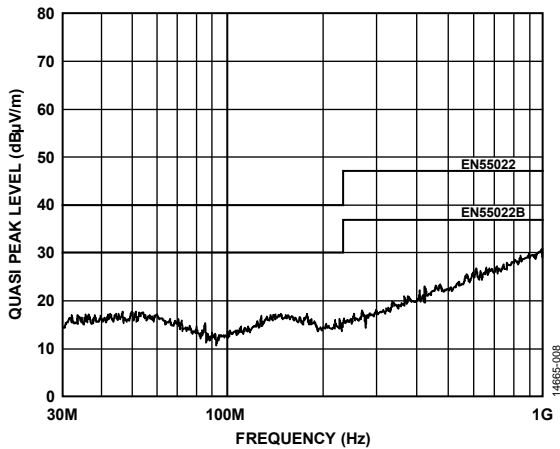


Figure 10. Worst Case Horizontal Emissions, VDD1 = VDD2 = 5.0 V

Table 10. EVAL-ADM2795EEBZ 5.0 V VDD1/VDD2 EN 55022 Certified Test Results

Frequency (MHz)	Quasipeak Level dB (μV/m)	EN55022 Class B dB (μV/m)	Antenna Position	Pass/Fail
46.272	23.9	30	Vertical	Pass, with 6.1 dB (μV/m) margin
48.776	23.7	30	Vertical	Pass, with 6.3 dB (μV/m) margin
48.772	16.8	30	Horizontal	Pass, with 13.2 dB (μV/m) margin
65.132	16	30	Horizontal	Pass, with 14.0 dB (μV/m) margin

Table 11 summarizes the EVAL-ADM2795EEBZ performance and classification achieved for the noted IEC system level EMC standards.

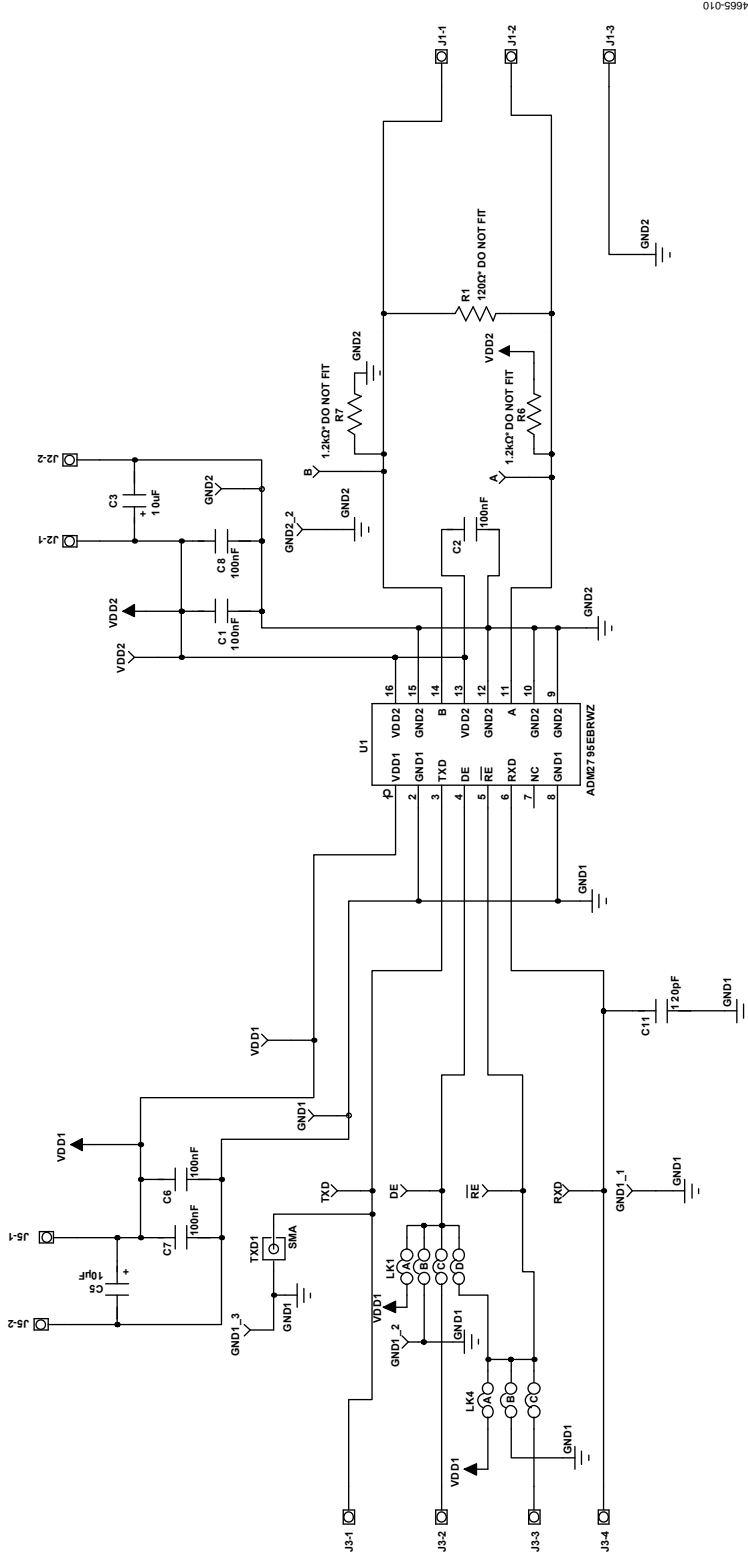
The performance that corresponds to each classification follows:

- Class A means normal operation.
- Class B means a temporary loss of performance (bit errors).
- Class C means that the system needs a reset.
- Class D means a permanent loss of function.

Table 11. EVAL-ADM2795EEBZ Performance and Classification Achieved

Test	Ground Connection	Classification	Highest Pass Level
IEC 61000-4-5 Surge	GND1	Class A	±4 kV
	GND2	Class B	±4 kV
IEC 61000-4-4 Electrical Fast Transient (EFT)	GND1	Class B	±2 kV
	GND2	Class B	±2 kV
IEC 61000-4-2 Electrostatic Discharge (ESD)	GND1	Class B	±8 kV (air), ±9 kV (contact)
	GND2	Class B	±15 kV (air), ±8 kV (contact)
IEC 61000-4-6 Conducted RF Immunity	GND1	Class A	10 V/m
	GND2	Class A	10 V/m
IEC 61000-4-3 Radiated RF Immunity	GND2	Class A	30 V/m
IEC 61000-4-8 Magnetic Immunity	GND2	Class A	100 A/m

EVALUATION BOARD SCHEMATICS



14665-010

Figure 12. Schematics of the EVAL-ADM2795EEBZ Evaluation Board, Page 1

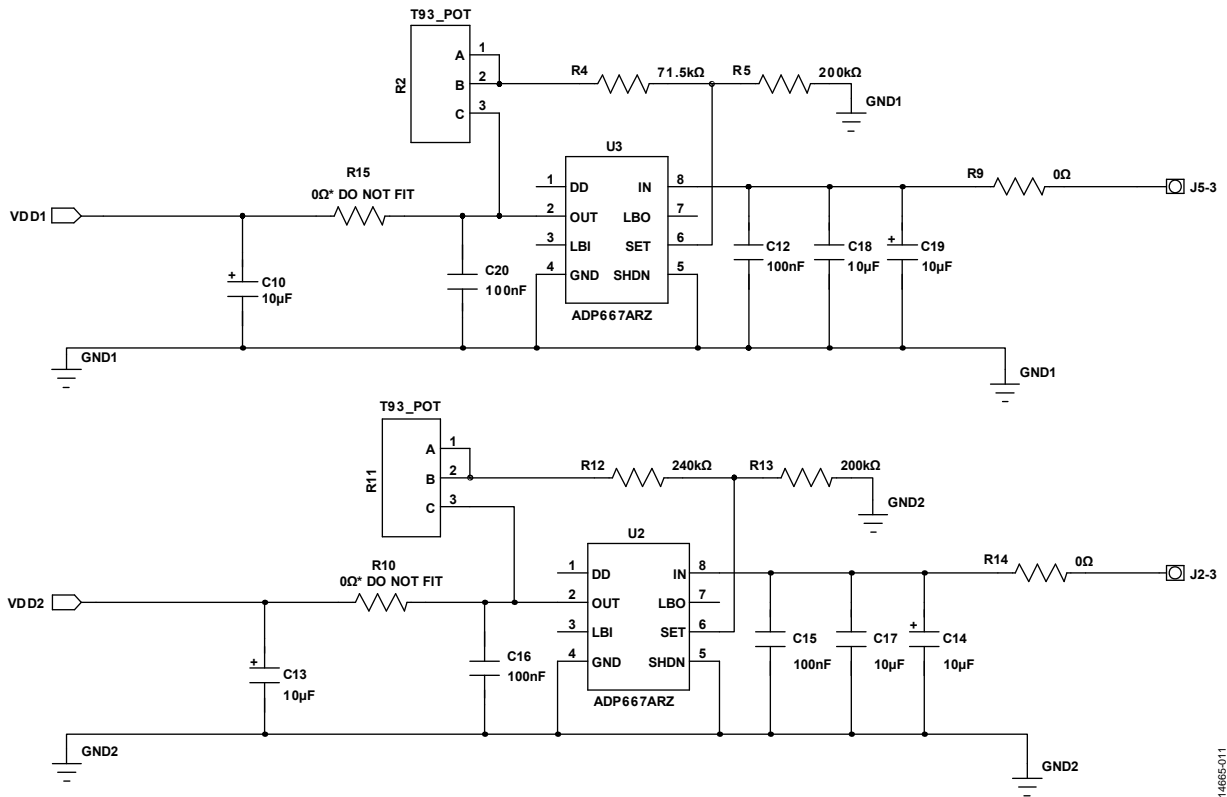


Figure 13. Schematics of the EVAL-ADM2795EEBZ Evaluation Board, Page 2

14865-011

ASSEMBLY DRAWINGS AND BOARD LAYOUT

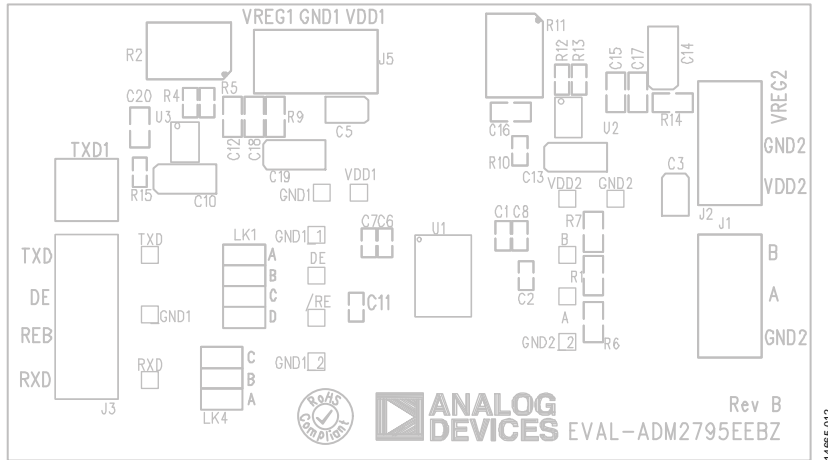


Figure 14. EVAL-ADM2795EEBZ Evaluation Board Silkscreen

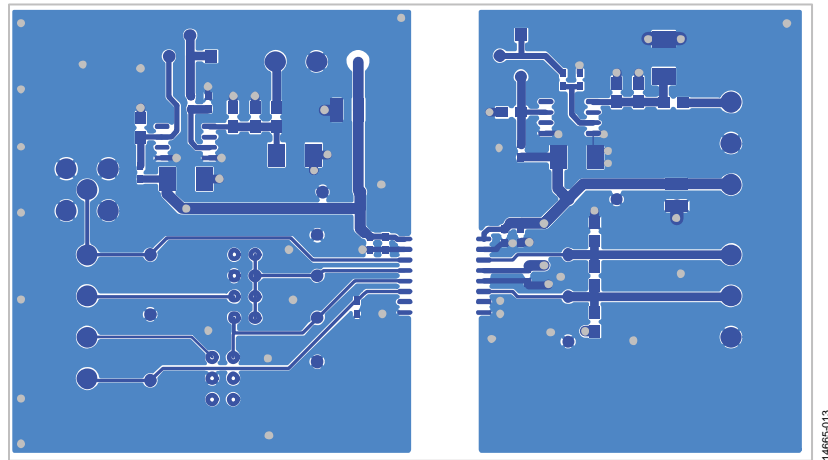


Figure 15. EVAL-ADM2795EEBZ Evaluation Board Top Layer

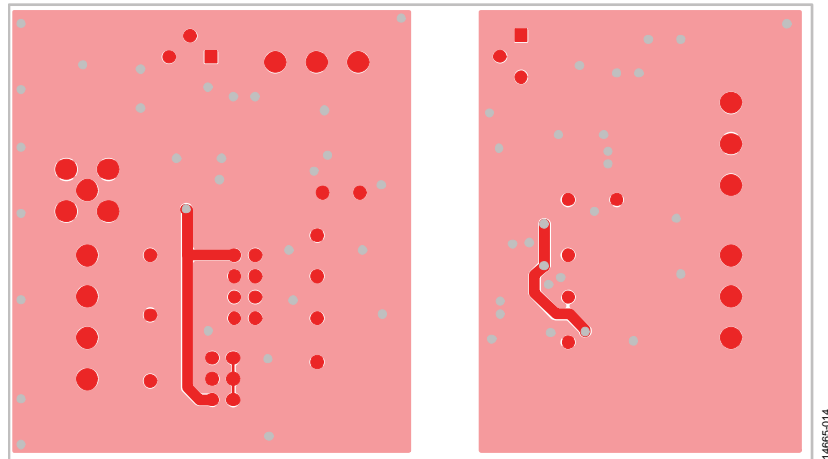


Figure 16. EVAL-ADM2795EEBZ Evaluation Board Bottom Layer

ORDERING INFORMATION

BILL OF MATERIALS

Table 12.

Quantity	Reference Designator	Description	Supplier	Device No.
3	C1, C2, C6	Capacitors, size 0603, 100 nF	AVX	06033C104JAT2A
2	C3, C5	Capacitors, tantalum, Case B, 10 μ F	KEMET	B45196H3106K209
2	C7, C8	Capacitors, size 0603, 100 nF	AVX	06033C104JAT2A
4	C10, C13, C14, C19	Capacitors, tantalum, Case C, 10 μ F	KEMET	B45196E3106K309
1	C11	Capacitor, size 0603, 120 pF	AVX	0201YC121KAT2A
4	C12, C15, C16, C20	Capacitors, size 0805, 100 nF	Multicomp	MC0805F104Z160CT
2	C17, C18	Capacitors, size 0805, 10 μ F	AVX	08056C106KAT2A
3	J1, J2, J5	CON\POWER3, 3-pin terminal blocks	Camden	CTB5000/3
1	J3	CON\POWER4, 4-pin terminal block	Lumberg	KRM 04
2	J4, J6	CON\POWER2, 2-pin terminal blocks	Lumberg	KRM 02
1	LK1	8-pin (4 \times 2), 2.54 mm header and shorting block	Harwin	M20-9953646
1	LK4	6-pin (3 \times 2), 2.54 mm header and shorting block	Harwin	M20-9983646
1	R1	Resistor, 120 Ω , size 0805 (not inserted)	Welwyn	WCR0805-120RFI
2	R2, R11	Trimmer potentiometers	Vishay	T93YB504KT20
1	R4	Resistor, 71.5 k Ω , size 0805	Welwyn	MC0063W0603171K5
2	R5, R13	Resistors, 200 k Ω , size 0603	Bourns	CR0603-FX-2003ELF
2	R6, R7	Resistors, 1.2 k Ω , size 0805 (not inserted)	Panasonic	ERA6AEB122V
2	R9, R14	Resistors, 0 Ω , size 0805	Welwyn	WCR0805-R005JI
2	R10, R15	Resistors, 0 Ω , size 0603 (not inserted)	Multicomp	MC0063W06030R
1	R12	Resistor, 240 k Ω , size 0603	Vishay	CRCW0603240KFKEA
6	RXD, RE, DE, TXD, A, B	Test points, yellow	Vero	20-313140
5	GND1_1, GND1_2, GND1_3, GND2_1, GND2_2,	Test points, yellow	Vero	20-313140
2	GND1, GND 2	Test points, black	Vero	20-2137
1	TXD1	RH SMA connector	TE Connectivity	5-1814400-1
1	U1	Isolated Level 4 EMC and 24 V supply fault protected RS-485 transceiver	Analog Devices	ADM2795EBRWZ
2	U2	5 V fixed, adjustable voltage regulator	Analog Devices	ADP667ARZ
2	VDD1, VDD2	Test points, red	Vero	20-313137

NOTES

**ESD Caution**

ESD (electrostatic discharge) sensitive device. Charged devices and circuit boards can discharge without detection. Although this product features patented or proprietary protection circuitry, damage may occur on devices subjected to high energy ESD. Therefore, proper ESD precautions should be taken to avoid performance degradation or loss of functionality.

Legal Terms and Conditions

By using the evaluation board discussed herein (together with any tools, components documentation or support materials, the "Evaluation Board"), you are agreeing to be bound by the terms and conditions set forth below ("Agreement") unless you have purchased the Evaluation Board, in which case the Analog Devices Standard Terms and Conditions of Sale shall govern. Do not use the Evaluation Board until you have read and agreed to the Agreement. Your use of the Evaluation Board shall signify your acceptance of the Agreement. This Agreement is made by and between you ("Customer") and Analog Devices, Inc. ("ADI"), with its principal place of business at One Technology Way, Norwood, MA 02062, USA. Subject to the terms and conditions of the Agreement, ADI hereby grants to Customer a free, limited, personal, temporary, non-exclusive, non-sublicensable, non-transferable license to use the Evaluation Board FOR EVALUATION PURPOSES ONLY. Customer understands and agrees that the Evaluation Board is provided for the sole and exclusive purpose referenced above, and agrees not to use the Evaluation Board for any other purpose. Furthermore, the license granted is expressly made subject to the following additional limitations: Customer shall not (i) rent, lease, display, sell, transfer, assign, sublicense, or distribute the Evaluation Board; and (ii) permit any Third Party to access the Evaluation Board. As used herein, the term "Third Party" includes any entity other than ADI, Customer, their employees, affiliates and in-house consultants. The Evaluation Board is NOT sold to Customer; all rights not expressly granted herein, including ownership of the Evaluation Board, are reserved by ADI. CONFIDENTIALITY. This Agreement and the Evaluation Board shall all be considered the confidential and proprietary information of ADI. Customer may not disclose or transfer any portion of the Evaluation Board to any other party for any reason. Upon discontinuation of use of the Evaluation Board or termination of this Agreement, Customer agrees to promptly return the Evaluation Board to ADI. ADDITIONAL RESTRICTIONS. Customer may not disassemble, decompile or reverse engineer chips on the Evaluation Board. Customer shall inform ADI of any occurred damages or any modifications or alterations it makes to the Evaluation Board, including but not limited to soldering or any other activity that affects the material content of the Evaluation Board. Modifications to the Evaluation Board must comply with applicable law, including but not limited to the RoHS Directive. TERMINATION. ADI may terminate this Agreement at any time upon giving written notice to Customer. Customer agrees to return to ADI the Evaluation Board at that time. LIMITATION OF LIABILITY. THE EVALUATION BOARD PROVIDED HEREUNDER IS PROVIDED "AS IS" AND ADI MAKES NO WARRANTIES OR REPRESENTATIONS OF ANY KIND WITH RESPECT TO IT. ADI SPECIFICALLY DISCLAIMS ANY REPRESENTATIONS, ENDORSEMENTS, GUARANTEES, OR WARRANTIES, EXPRESS OR IMPLIED, RELATED TO THE EVALUATION BOARD INCLUDING, BUT NOT LIMITED TO, THE IMPLIED WARRANTY OF MERCHANTABILITY, TITLE, FITNESS FOR A PARTICULAR PURPOSE OR NON-INFRINGEMENT OF INTELLECTUAL PROPERTY RIGHTS. IN NO EVENT WILL ADI AND ITS LICENSORS BE LIABLE FOR ANY INCIDENTAL, SPECIAL, INDIRECT, OR CONSEQUENTIAL DAMAGES RESULTING FROM CUSTOMER'S POSSESSION OR USE OF THE EVALUATION BOARD, INCLUDING BUT NOT LIMITED TO LOST PROFITS, DELAY COSTS, LABOR COSTS OR LOSS OF GOODWILL. ADI'S TOTAL LIABILITY FROM ANY AND ALL CAUSES SHALL BE LIMITED TO THE AMOUNT OF ONE HUNDRED US DOLLARS (\$100.00). EXPORT. Customer agrees that it will not directly or indirectly export the Evaluation Board to another country, and that it will comply with all applicable United States federal laws and regulations relating to exports. GOVERNING LAW. This Agreement shall be governed by and construed in accordance with the substantive laws of the Commonwealth of Massachusetts (excluding conflict of law rules). Any legal action regarding this Agreement will be heard in the state or federal courts having jurisdiction in Suffolk County, Massachusetts, and Customer hereby submits to the personal jurisdiction and venue of such courts. The United Nations Convention on Contracts for the International Sale of Goods shall not apply to this Agreement and is expressly disclaimed.