

## SUMMARY

### # Wires

Low voltage 2



*Image is for illustrative purpose only*

Series	0W
Termination type	Male solder
IP rating	68
AWG wire size	28.00 - 20.00
Cable Ø	3.10 - 3.50 mm
Status	active
Matching parts	<a href="#">EVG.0W.302.CLL</a>

### Download

[Request a quote](#)

[Catalog](#)

## TECHNICAL DETAILS

### Mechanics

Shell Style/Model	FV*: Straight plug, cable collet
Keying	1 key (alpha=0; Plug: male contacts; Receptacle: female contacts)
Housing Material	Brass (chrome plated [SAE AMS 2460]) shell and collet nut, nickel plated [SAE AMS QQ N 290] brass latch sleeve and mid pieces
Weight	19.07 g

### Performance

Configuration	0W.302 : 2 Low Voltage
Insulator	
Rated Current	10 Amps

### Specifications

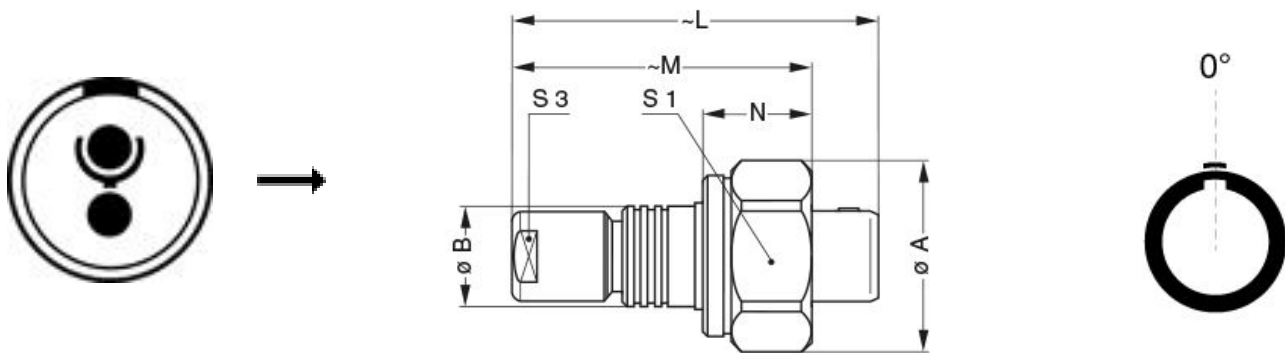
Contact Type: Solder  
Contact Dia.: 0.9 mm (0.035in)  
Bucket Dia.: 1.0 mm (0.039in)  
Max. Solid Conductor: 0.56 mm<sup>2</sup> (AWG 20)  
Max. Stranded Conductor: 0.56 mm<sup>2</sup> (AWG 20)  
R (max): 4.8 mOhm  
Vtest (contact-contact): 1300 V (AC) 1800 V (DC)  
Vtest (contact-shell): 1050 V (AC) 1500 V (DC)

*LEMO products and services are provided "as is". LEMO makes no warranties or representations with regard to LEMO product & services or use of them, express, implied or statutory, including for accuracy, completeness, or security. The user is fully responsible for his products and applications using LEMO components.*

## Others

Endurance (Shell): 1000 mating cycles  
Temp (min / max): -20°C / +200°C  
Humidity (max): <=95% [at 60 deg C / 140 F]  
Climatical Category: 20/200/21  
Shielding (min): 95 dB (10 MHz)  
Shielding (min): 80 dB (1 GHz)  
Salt Spray Corrosion: >1000 hr  
Pressure: 30 bars

## DRAWINGS



## Dimensions

	A	B	L	M	N	S1	S3
mm.	17.2	8.9	35.5	30.8	13.5	16	8
in.	0,68	0,35	1,40	1,21	0,53	0,63	0,31

## RECOMMENDED BY LEMO

## Tools

LEMO products and services are provided "as is". LEMO makes no warranties or representations with regard to LEMO product & services or use of them, express, implied or statutory, including for accuracy, completeness, or security. The user is fully responsible for his products and applications using LEMO components.

## Cables

20240	PTFE	White	
2080	PVC	Grey	

*LEMO products and services are provided "as is". LEMO makes no warranties or representations with regard to LEMO product & services or use of them, express, implied or statutory, including for accuracy, completeness, or security. The user is fully responsible for his products and applications using LEMO components.*