
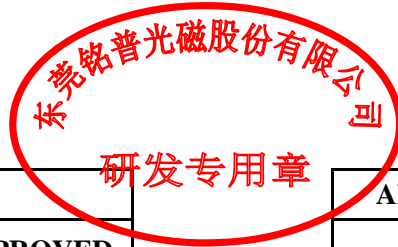


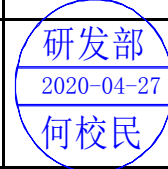


## Product Specification for Approval

WE ARE PLEASED IN SUBMITTING OUR SAMPLES WITH SPECIFICATION TO YOU FOR APPROVAL.

CUSTOMER	:		
DESCRIPTION	:	<b>100/1000 BASE-T TRANSFORMER</b>	
MNC P/N	:	<b>G2497CG</b>	
VERSION	:	<b>A0</b>	
CUSTOMER P/N	:		
ISSUED DATE	:	<b>2020/04/27</b>	
PHOTO OF PRODUCT	:		
WEIGHT	:		<b>1.42g</b>
MADE IN	:		<b>CHINA</b>



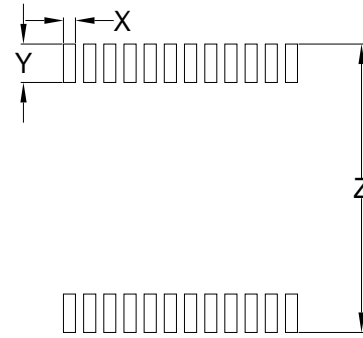
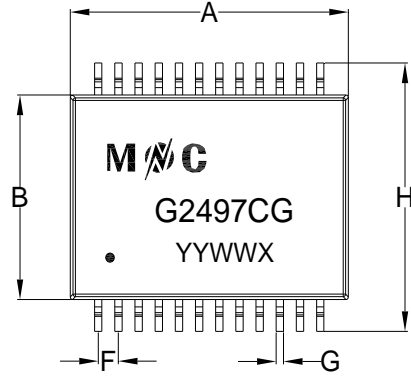
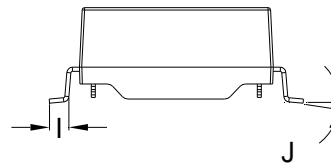
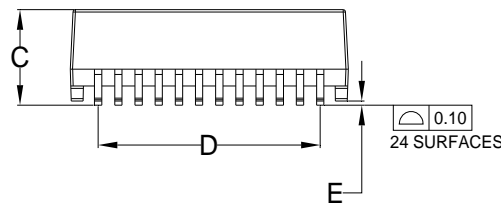
APPROVED BY MNC			APPROVED BY CUSTOMER
<b>PREPARED BY</b> 	<b>CHECKED BY</b> 	<b>APPROVED BY</b> 	<b>SIGNATURE OR STAMP</b>  

1. PLEASE SEND BACK US A COPY OF THE SPECIFICATION WITH YOUR STAMP OR SIGNATURE ONCE THE SAMPLES APPROVED.
2. IT WILL BE DEEMED THE SAMPLES TO BE APPROVED IF NO FEEDBACK.

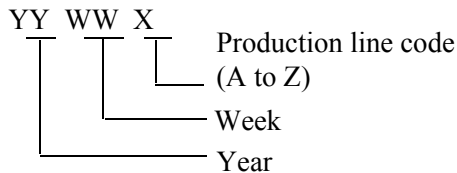
东莞铭普光磁股份有限公司  
 Add: Shipai Town, Dongguan City, Guangdong Province, China

TEL: +86-769-86921000  
 FAX: +86-769-81701563



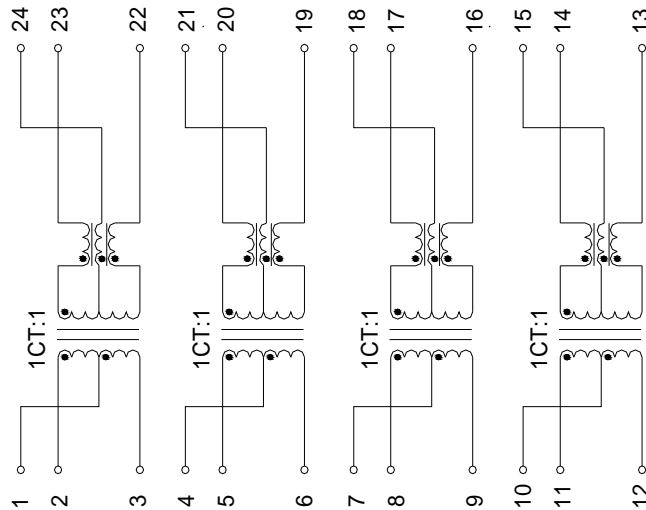
**SPECIFICATION**
**Part No. G2497CG**
**A. MECHANICAL :**

**SUGGESTED PAD LAYOUT**


Note: Laser printing marking

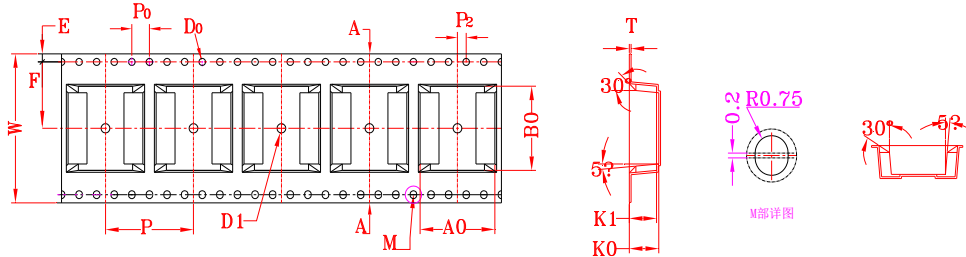


1. UNITS: mm/inch.
2. UNLESS OTHERWISE SPECIFIED ALL TOLERANCES ARE: TYPICAL
3. PIN LENGTH DON'T INCLUDE SOLDER POINT

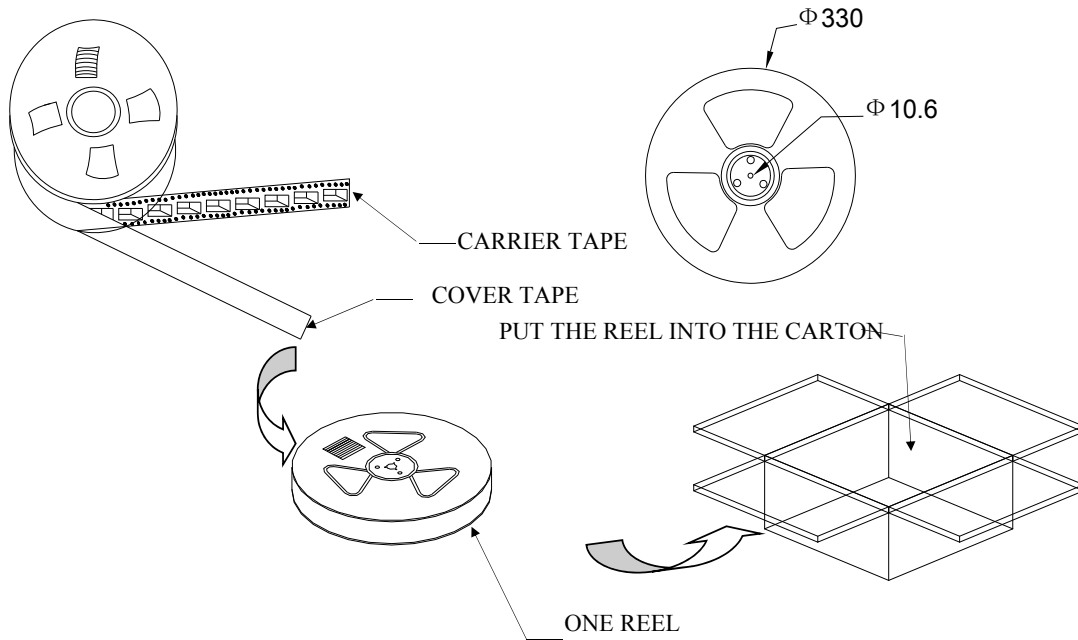
DIM	MILLIMETERS			INCHES		
	MIN	NOM	MAX	MIN	NOM	MAX
A	17.00	17.50	18.00	0.669	0.689	0.709
B	11.70	12.20	12.70	0.461	0.480	0.500
C	/	/	6.20	/	/	0.244
D	/	13.97	/	/	0.550	/
E	0.10	0.25	0.40	0.004	0.010	0.016
F	/	1.27	/	/	0.050	/
G	/	0.46	/	/	0.018	/
H	15.50	16.00	16.50	0.610	0.630	0.650
I	/	1.24	/	/	0.049	/
J	0°	/	8°	0°	/	8°
X	/	0.76	/	/	0.030	/
Y	/	2.29	/	/	0.090	/
Z	/	17.20	/	/	0.677	/

**SPECIFICATION**
**Part No. G2497CG**
**B. SCHEMATIC :**

**C. ELECTRICAL SPECIFICATION @25°C**

Compliant with IEEE 802.3af ANSIX3.263 standards			
ITEM	SPECIFICATION	TEST CONDITION	TEST EQUIPMENT
INDUCTANCE :	350uH MIN.	100KHz 0.2V 8mA DC Bias	TH2819XB OR EQU.
LEAKAGE INDUCTANCE :	0.50uH MAX.	100KHz 0.2V	TH2819XB OR EQU.
INTERWINDING CAPACITANCE :	25pF TYP.	100KHz 0.2V	TH2819XB OR EQU.
DC RESISTANCE :	1.4Ω MAX.	AT 25 °C	TOS 8020 OR EQU.
TURNS RATIO :	1CT:1CT±5%		TH2819XB OR EQU.
POLARITY :	2-23,5-20,8-17, 11-14 IN-PHASE		
INSERTION LOSS :	-1.1dB MAX.	0.5-100 MHz	E5061A OR EQU.
RETURN LOSS :	-18dB MIN.	0.5-40 MHz	E5061A OR EQU.
	-12+20log(f/80)dB MIN.	40.1-100 MHz	
CROSS TALK :	-35dB MIN.	0.5-40 MHz	E5061A OR EQU.
	-33+20*log(f/50)dB MIN.	40.1-100 MHz	
CMRR :	-30dB MIN.	0.5-100 MHz	E5061A OR EQU.
ISOLATION HI-POT :PRI TO SEC	1500VAC	1mA,60S	7152AB OR EQU.
	1650VAC	1mA,6S	
OPERATING TEMPERATURE	0°C TO 70°C		

**PACKAGE**
**Part No. G2497CG**
**D. PACKING:**
**a. PACKAGING AS BELOW (ONLY FOR A REFERENCE):**


ITEM	W	A <sub>0</sub>	B <sub>0</sub>	K <sub>0</sub>	K <sub>1</sub>	P	F	E	D <sub>0</sub>	D <sub>1</sub>	P <sub>0</sub>	P <sub>2</sub>	T
DIM	32.00 <sup>+0.30</sup> <sub>-0.30</sub>	17.0 <sup>+0.10</sup> <sub>-0.10</sub>	18.10 <sup>+0.10</sup> <sub>-0.10</sub>	6.70 <sup>+0.10</sup> <sub>-0.10</sub>	6.20 <sup>+0.10</sup> <sub>-0.10</sub>	20.00 <sup>+0.10</sup> <sub>-0.10</sub>	14.2 <sup>+0.10</sup> <sub>-0.10</sub>	1.75 <sup>+0.10</sup> <sub>-0.10</sub>	1.50 <sup>+0.10</sup> <sub>-0.10</sub>	2.00 <sup>+0.10</sup> <sub>-0.10</sub>	4.00 <sup>+0.10</sup> <sub>-0.10</sub>	2.00 <sup>+0.10</sup> <sub>-0.10</sub>	0.40 <sup>+0.05</sup> <sub>-0.05</sub>
ALTERNATE													


**b. Q'TY:**

400 PCS PER REEL  
 6 REELS PER CARTON  
 2400 PCS PER CARTON

**c. LABEL:**

**REMARK:**

ABOVE PACKING IS FOR YOUR REFERENCE ONLY, WHICH MIGHT BE CHANGED WITHOUT NOTICE.

**MATERIAL LIST**
**Part No. G2497CG**
**E.BOM**

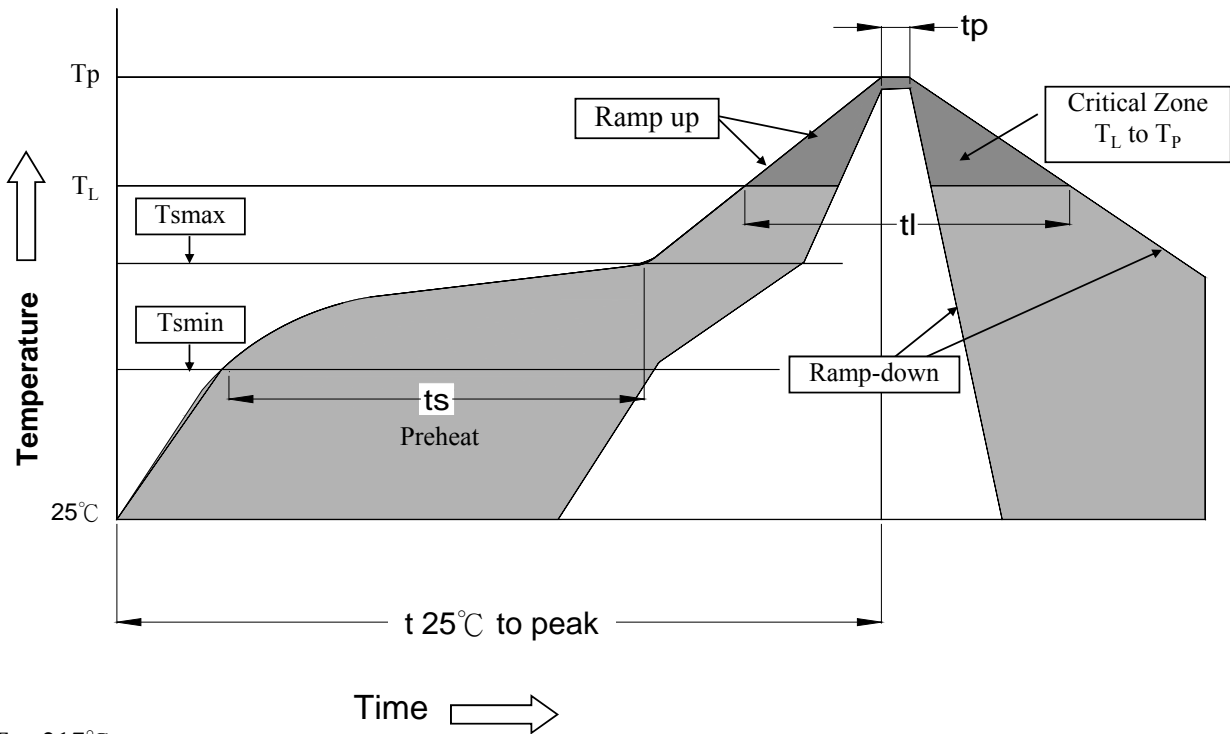
<b>MATERIAL LIST</b>					
<b>NO.</b>	<b>ITEM</b>	<b>MATERIAL</b>	<b>RATING</b>	<b>SUPPLIER OF MATERIAL</b>	<b>UL</b>
<b>1</b>	<b>CORE</b>	<b>Mn-Zn</b>	-----	<b>YEAN SHING</b>	<b>N/A</b>
			-----	<b>ZHONGSHAN CRC ELECTRONICS FACTORY</b>	<b>N/A</b>
		<b>Ni-Zn</b>	-----	<b>YEAN SHING</b>	<b>N/A</b>
			-----	<b>ZHONGSHAN CRC ELECTRONICS FACTORY</b>	<b>N/A</b>
<b>2</b>	<b>COPPER WIRE</b>	<b>QPN180</b>	<b>180℃</b>	<b>ZHUHAI SUNTEK WIRE CO.,LTD</b>	<b>E234867</b>
		<b>Polysol 180</b>	<b>180℃</b>	<b>ELEKTRISOLA(MALAYSIA) SDN.BHD.</b>	<b>E258243</b>
<b>3</b>	<b>CASE</b>	<b>WH-9100</b>	<b>V-0</b>	<b>WAH HONG INDUSTRIAL CORP</b>	<b>E150608</b>
<b>4</b>	<b>PIN</b>	<b>C5191</b>	-----	<b>SHENZHEN MINGSCHIN INDUSTRIAL MATERIAL CO.,LTD</b>	<b>N/A</b>

**RECOMMENDED SOLDERING PROFILE**

**Part No. G2497CG**

**a. RECOMMENDED REFLOW SOLDERING PROFILE:**

below content is only for your reference



- $T_L = 217^\circ\text{C}$
- $T_p = 245^\circ\text{C}$
- $t_s = 60-180\text{s}$      $T_s \text{ max} = 200^\circ\text{C}$      $T_s \text{ min} = 150^\circ\text{C}$
- $t_L = 60-150\text{s}$      $t_p = 20-40\text{s}$      $T_{25^\circ\text{C to peak}} = 8\text{min max}$
- Ramp up rate =  $3^\circ\text{C/s max}$     Ramp down rate =  $6^\circ\text{C/s max}$

- \*RoHS Compliant
- \*Solder Paste SAC 305 Sn 96.5/Ag 3.0/Cu 0.5
- \*Silkscreen thickness: 0.15mm Min

**b. MOISTURE SENSITIVE LEVEL:**

- b.1. LEVEL: 1
- b.2. SHELF LIFE: UNLIMITED
- b.3. STORAGE CONDITION:  $\leq 30^\circ\text{C}/85\% \text{ RH}$