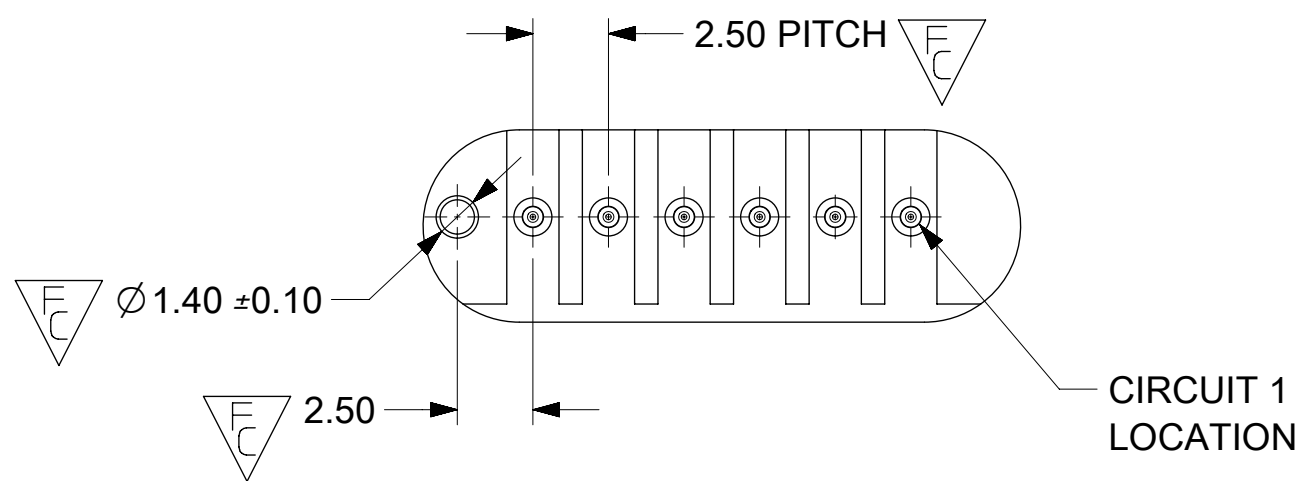
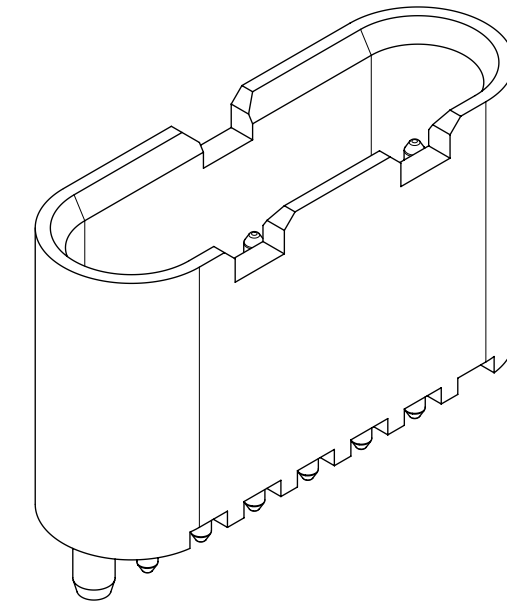
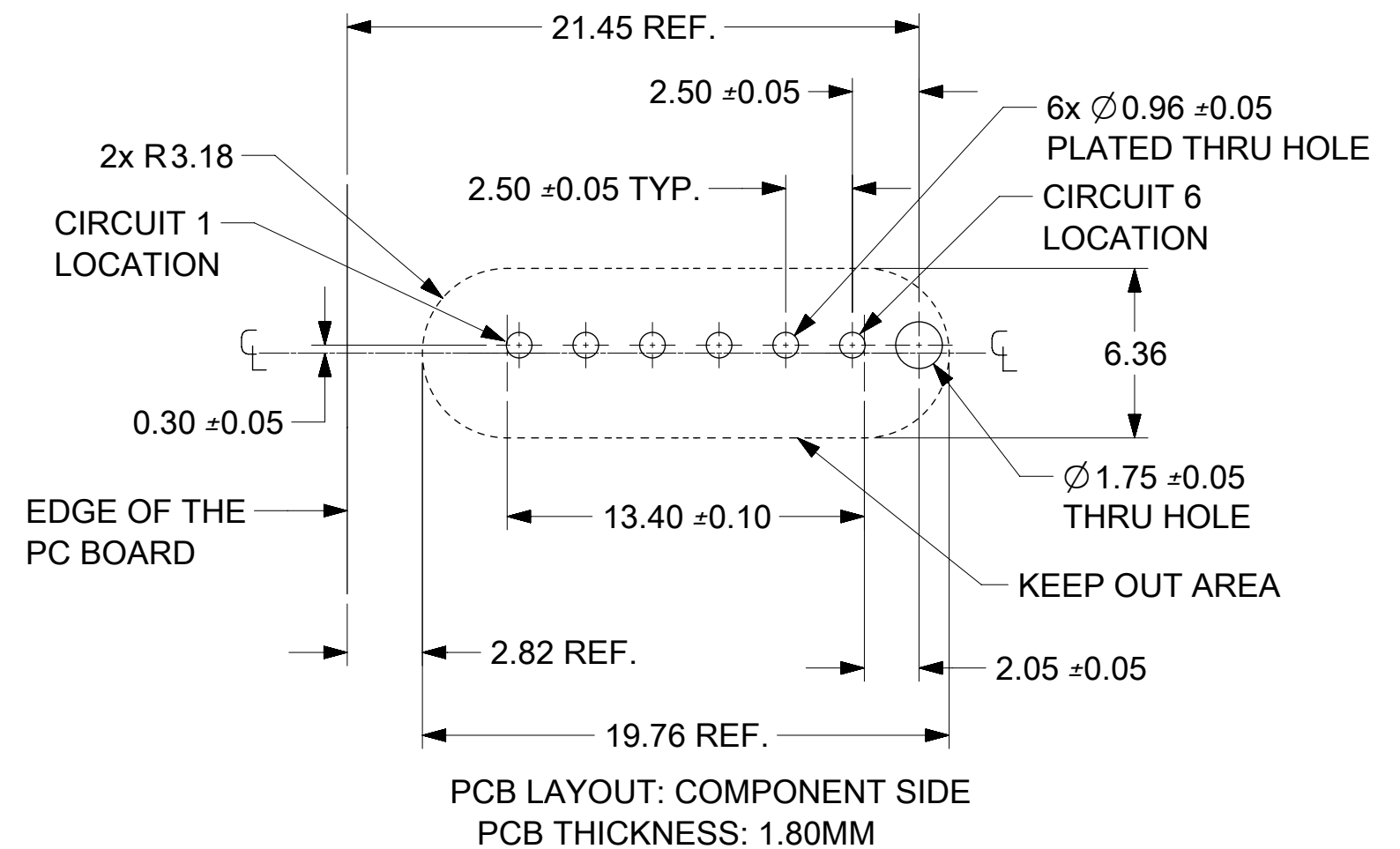


SECTION Z-Z



NOTES:

- HOUSING MATERIAL: LCP, 94 V-0, BLACK
PIN MATERIAL: 0.7mm ROUND BRASS
PIN PLATING: 2.5µm (100µin) TIN OVER
1.25µm (50µin) NICKEL.
- PART MATES WITH MOLEX RECEPTACLE SERIES 46528.
- PACKAGING SPECIFICATION: 500PCS. IN 96707-0012 SHIPPING CARTON, PADDED WITH PINK FOAM ON TOP AND BOTTOM.
- WHEN THIS PRODUCT IS USED IN A BLIND MATING APPLICATION THE SYSTEM LEVEL DESIGN MUST INCORPORATE GUIDANCE SO THE CONNECTORS ARE WITHIN THE CAPTURE ENVELOPE OF THE FLANGES ON THE HEADER OR PLUG HOUSING AND CAN THUS ALIGN THEMSELVES AS THEY COME TOGETHER. FLOAT IS ALSO REQUIRED IN THE OVERALL DESIGN, TO ALLOW THE PCB RECEPTACLE OR IT'S MATE TO MOVE INTO A STRESS-FREE POSITION AFTER MATING.
- PRODCUT SPECIFICATION: PS-45579-001



PCB LAYOUT: COMPONENT SIDE
PCB THICKNESS: 1.80MM

THIS DRAWING CONTAINS INFORMATION THAT IS PROPRIETARY TO MOLEX ELECTRONIC TECHNOLOGIES, LLC AND SHOULD NOT BE USED WITHOUT WRITTEN PERMISSION									
DIMENSION UNITS		SCALE		CURRENT REV DESC:					
MM		4:1		<p>EC NO: 625546 DRWN: RLALSANGI 2017/06/27 CHK'D: ISHWARG 2019/10/18 APPR: ISHWARG 2019/10/18</p> <p>INITIAL REVISION: DRWN: DROSCA 2007/04/10 APPR: JCOMERCI 2007/04/10</p>					
GENERAL TOLERANCES (UNLESS SPECIFIED)									
4 PLACES	±								
3 PLACES	±								
2 PLACES	±	0.13							
1 PLACE	±	0.25							
0 PLACES	±								
ANGULAR TOL ± 0.5°				THIRD ANGLE PROJECTION		DRAWING		SERIES	
DRAFT WHERE APPLICABLE MUST REMAIN WITHIN DIMENSIONS						C-SIZE		46511	
DOCUMENT NUMBER		DOC TYPE		DOC PART		REVISION		SHEET NUMBER	
SD-46511-100		PSD		001		B		1 OF 1	
MATERIAL NUMBER		CUSTOMER		SERIES		SERIES		SHEET NUMBER	
465111000		IBM		46511		46511		1 OF 1	

molex

SPOX BMI HEADER ASSEMBLY
VERTICAL, SINGLE ROW 1X6 2.5MM SPACING

PRODUCT CUSTOMER DRAWING