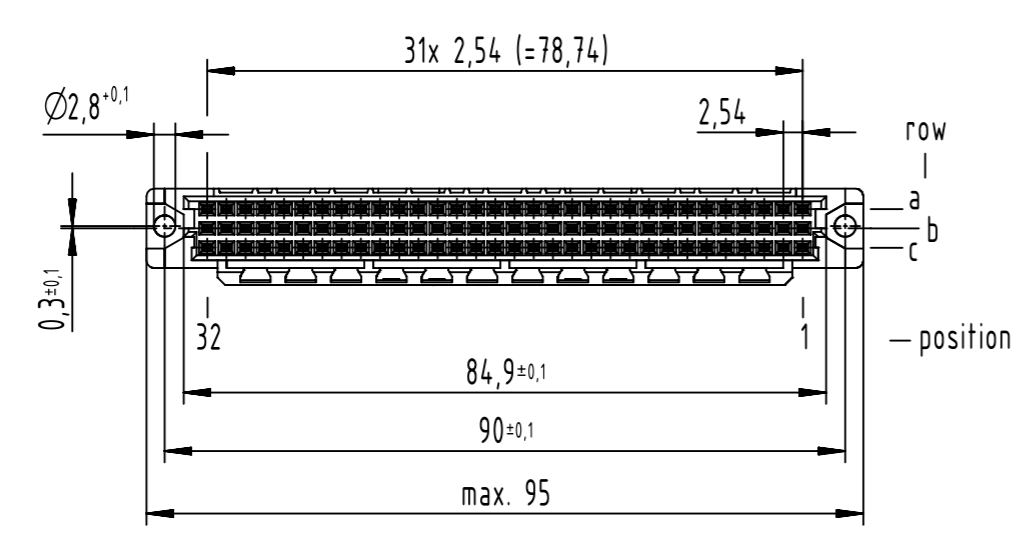
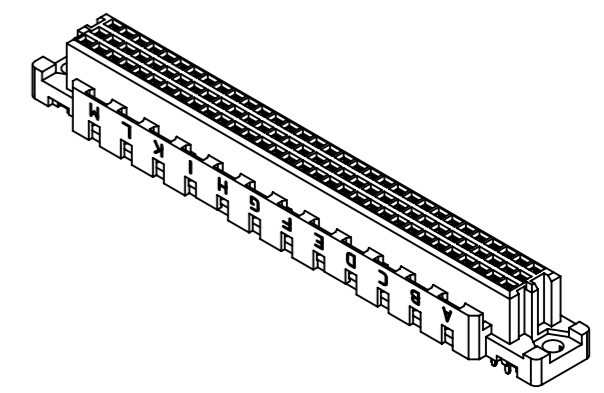
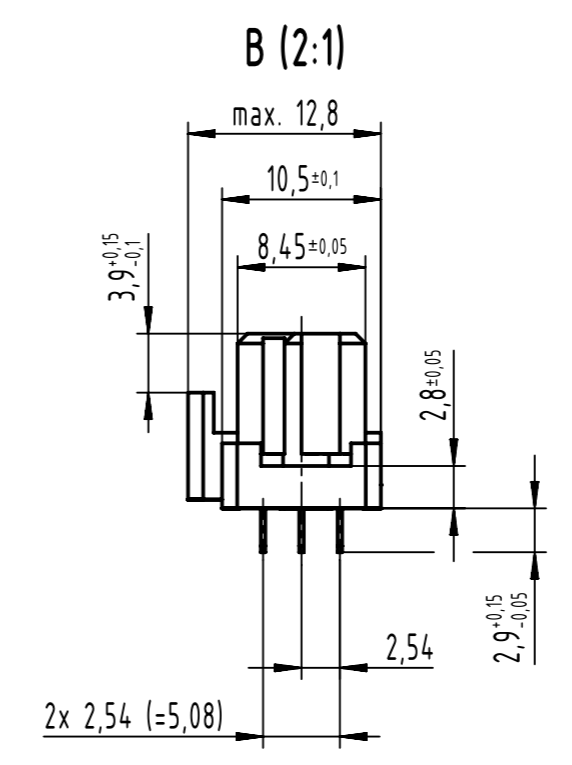
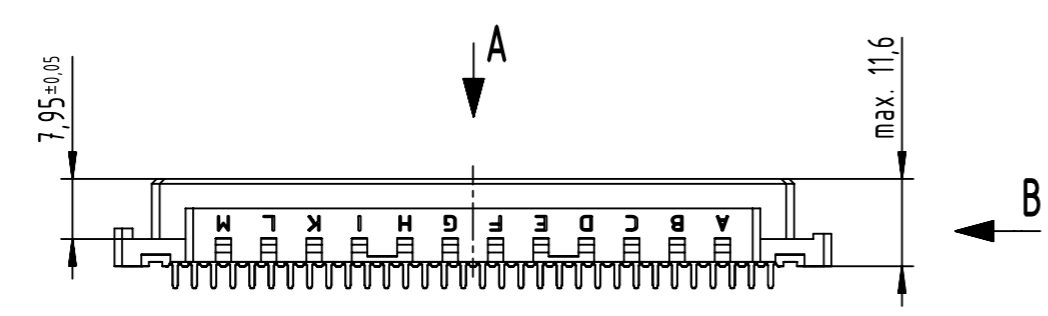


- 96 solder contacts
- ☒ = solder contact
- = kinked solder contact
- = position without contact



further information see product data sheet

09 03 796 6824	2
part no.	performance level

	All Dimensions in mm Original Size DIN A3		Scale 1:1	Free size tol. IEC 60603-2		Ref. Sub.	
	All rights reserved Department EL PD		Created by STORCK	Inspected by LEHNERT	Standardisation 302077	Date 2021-03-12	State Final Release
HARTING D-32339 Espelkamp		Title DIN Signal type C female solder 2.9 with coding 96-pole				Doc-Key / ECM-Nr. 100173852/UGD/210/G 500000190255	
		Type TB	Number 0903796X824		Rev. G	Page 1/1	