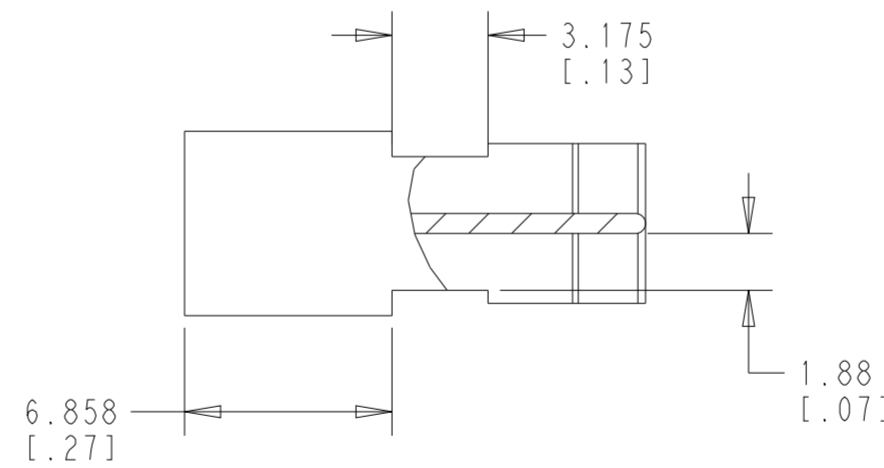
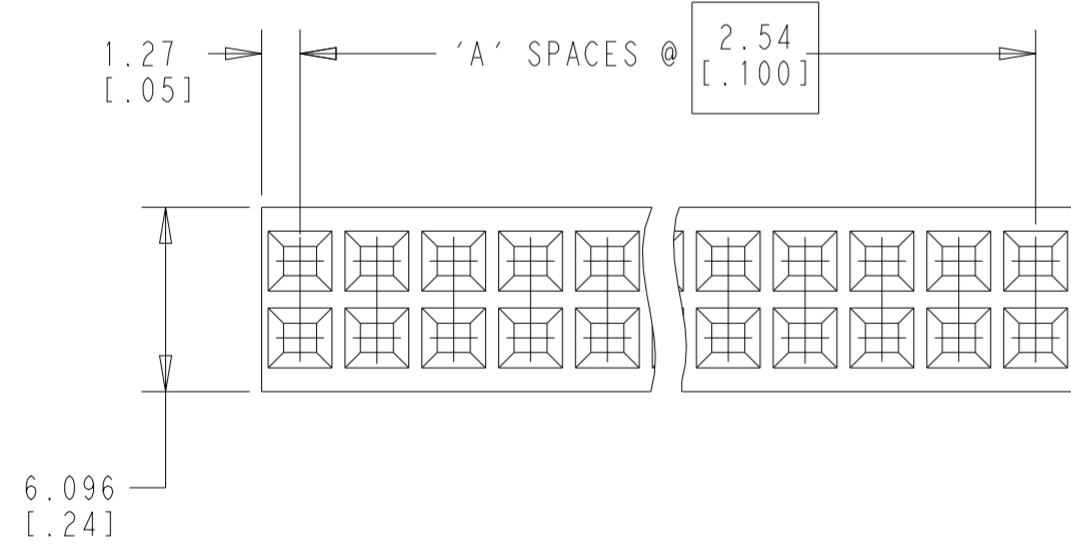
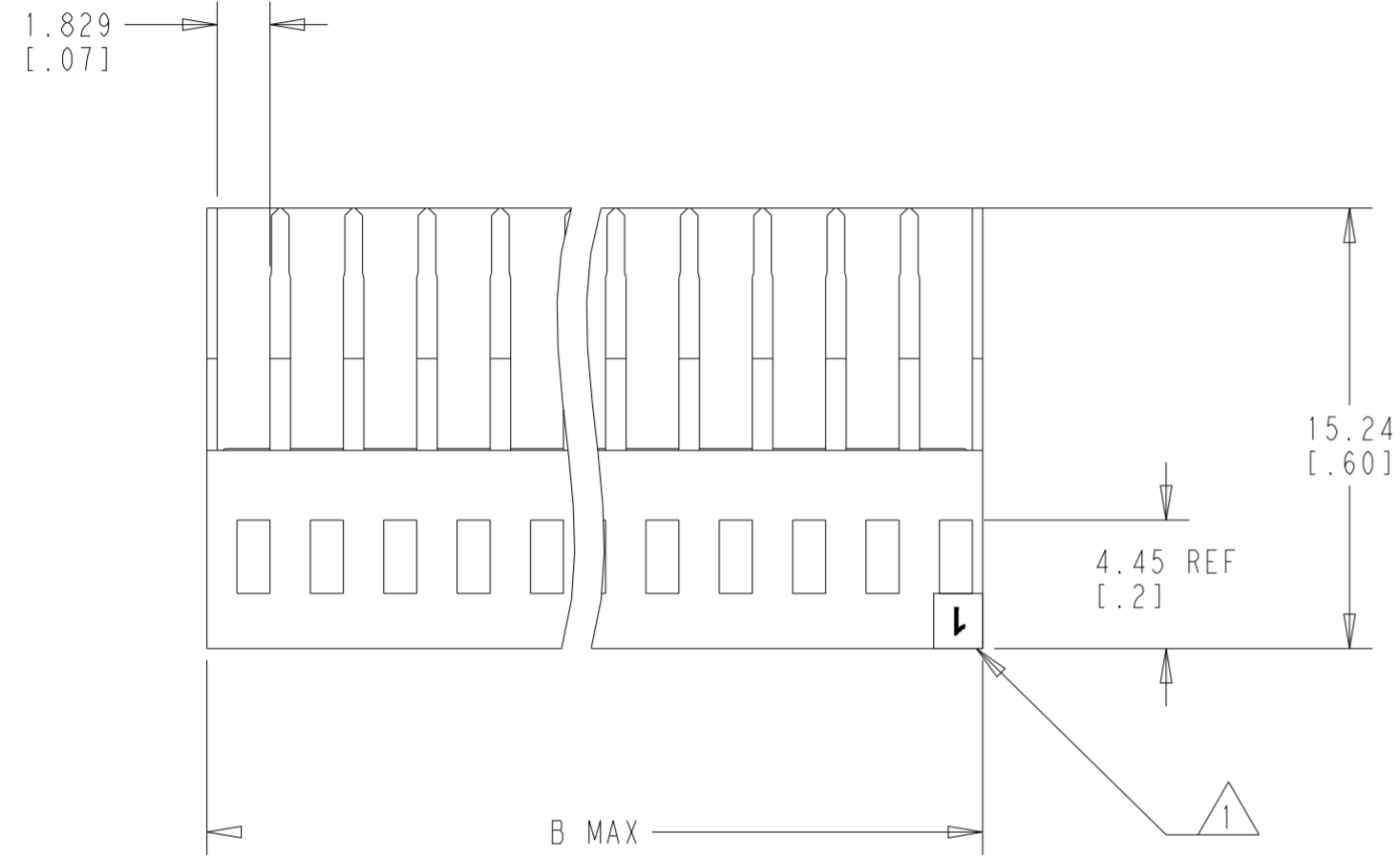


P	LTR	DESCRIPTION	DATE	DWN	APVD
	H1	REVISED PER ECO-11-004587	11MAR2011	RK	HMR
	J	REVISED PER ECR-22-132152	15JUN2022	RK	SD

- 1 MOLDED CIRCUIT #1 IDENTIFIER IN LOCATION SHOWN.
- 2 MATERIAL: GLASS FILLED THERMOPLASTIC, UL 94-V0 RATED, COLOR: BLACK
- 3. THE PRODUCT IS IN PROCESS FOR UL RECOGNITION.
- 4. THE PRODUCT IS IN PROCESS FOR QUALIFICATION, AND IS NOT YET QUALIFIED



91.44[3.600]	35	72	3-102394-4
88.90[3.500]	34	70	3-102394-3
86.36[3.400]	33	68	3-102394-2
83.82[3.300]	32	66	3-102394-1
81.28[3.200]	31	64	3-102394-0
78.74[3.100]	30	62	2-102394-9
76.20[3.000]	29	60	2-102394-8
73.66[2.900]	28	58	2-102394-7
71.12[2.800]	27	56	2-102394-6
68.58[2.700]	26	54	2-102394-5
66.04[2.600]	25	52	2-102394-4
63.50[2.500]	24	50	2-102394-3
60.96[2.400]	23	48	2-102394-2
58.42[2.300]	22	46	2-102394-1
55.88[2.200]	21	44	2-102394-0
53.34[2.100]	20	42	1-102394-9
50.80[2.000]	19	40	1-102394-8
48.26[1.900]	18	38	1-102394-7
45.72[1.800]	17	36	1-102394-6
43.18[1.700]	16	34	1-102394-5
40.64[1.600]	15	32	1-102394-4
38.10[1.500]	14	30	1-102394-3
35.56[1.400]	13	28	1-102394-2
33.02[1.300]	12	26	1-102394-1
30.48[1.200]	11	24	1-102394-0
27.94[1.100]	10	22	102394-9
25.40[1.000]	9	20	102394-8
22.86[.900]	8	18	102394-7
20.32[.800]	7	16	102394-6
17.78[.700]	6	14	102394-5
15.24[.600]	5	12	102394-4
12.70[.500]	4	10	102394-3
10.16[.400]	3	8	102394-2
7.62[.300]	2	6	102394-1
B	A	NO. OF POSN	PART NO.

METRIC

THIS DRAWING IS A CONTROLLED DOCUMENT.

DWN	S. SHUEY	24 JUL 91
CHK	M. RIDER	24 JUL 91
APVD	M. RIDER	24 JUL 91

TE Connectivity

NAME: HOUSING, AMPMODU, MASS TERMINATION DOUBLE ROW, .100X.100 C/L

SIZE	CAGE CODE	DRAWING NO	RESTRICTED TO
A2	00779	G-102394	-

CUSTOMER DRAWING SCALE 4:1 SHEET 1 OF 1 REV J